

## Compact shielded experiment box



### Compact shielded experiment box

Compact shielded box to block wireless communication during testing and measurements; working size 200(W)\*334(D)\*115(H)

### Compact shielded experiment box (210 x 354 x 120 mm)

By default, this box comes with 6 shielded SMA penetrations. Many other shielded conduits are available on request. They may optionally also be added later.

### Technical specifications

Interface type	See our filter modules
Radio frequency interface	SMA*6
Numbers of filters	3 pcs
Working size (mm)	200(W)*334(D)*115(H)
Appearance size (mm)	210(W)*354(D)*120(H)
Weight (kg)	4
Working temperature(°C)	0-50
Shielding effect	≥80 dB @2.4 GHz & ≥70 dB @5.8 GHz
Colour of appearance	Beige

\* Notice: dimensions are indicative

### Attenuation

The Compact shielded experiment box is the most economical solution for blocking for example GSM, WiFi, Bluetooth and other wireless communication standards. The average attenuation over a wide frequency range is 80 dB. See attenuation table below.

Frequency (GHz)	Attenuation (dB)
2.4	Front 84, Behind 79
5.8	Front 83, behind 76

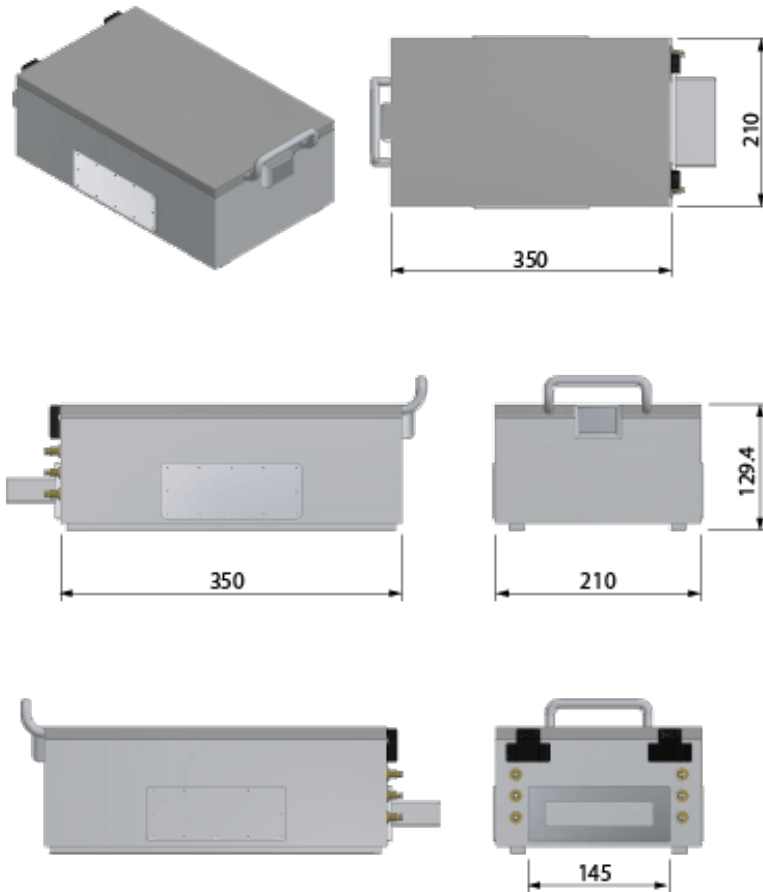
*These values are measured under laboratory conditions. In your situation results may differ, please read our Guarantee.*

### Features

- Wireless communication test system
- For 3G, wifi, Bluetooth wireless test
- High levels of shielding attenuation, greater than 75 dB
- Easy & Flexible operation in Lab and production line
- R&D, custom design
- Box can be equipped with shielded power filters for power connection in the box while still blocking all wireless signals.

## Compact shielded experiment box

### Technical drawing



### Extra interface types (on request) (possible for both types of shielding boxes)

VGA, DB9, DB25, USB2.0, USB3.0, SMA, RJ45, BNC, RCA, DC, AC (optional)

Part number

**MPSB-21-35-12**