

Big mobile measurement box



Big mobile measurement box

Big size shielded box for laboratory purposes; working size 698(W)*686(D)*696(H)

Big mobile measurement box (698 x 686 x 696 mm)

- Radio frequency interface: N-SMA*2
- Application: for Bluetooth, WiFi, 3G, wireless test, RFID
- Frequency: 0~6000 MHz
- Working size (mm): 698(W)*686(D)*696(H)

Technical specifications

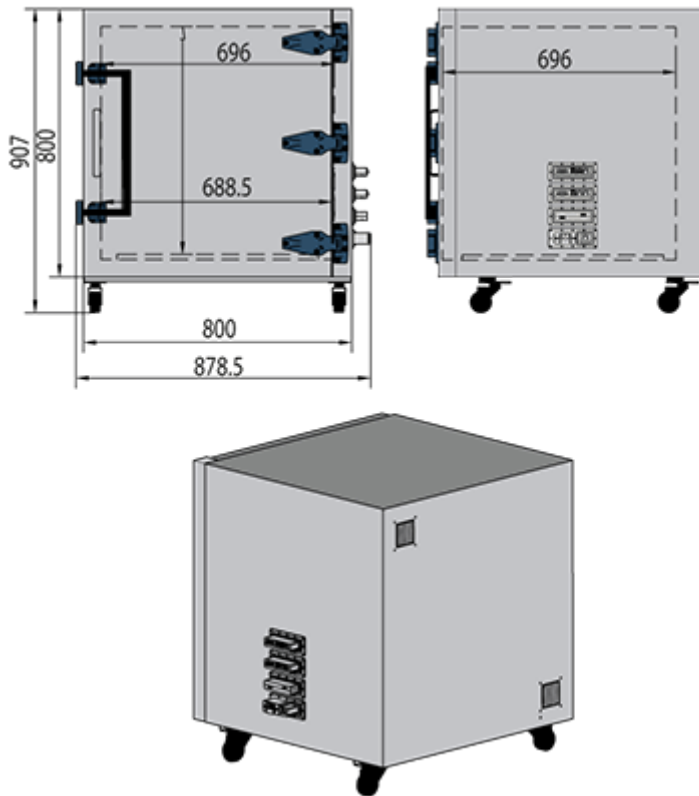
Shielding effect	≥75@2.4GHz/5.8GHz
Interface type	Type 2
Numbers of filters	6 pcs
Working temperature (°C)	(0-50)
Working dimensions (mm)	698(W)*686(D)*696(H)
Outer dimensions (mm)	878(W)*838(D)*907(H)
Weight (kg)	90 kg
* Notice: dimensions are indicative	

Features

- High levels of shielding attenuation, greater than 60 dB
- Box can be equipped with shielded power filters
- Connection in the box while still blocking all wireless signals
- Easy & Flexible operation in Lab and production line

Technical drawing

Big mobile measurement box



Notice: dimensions are indicative

Part number

MPSB-70-70-70