

## MPSB-21-35-12 - Medium performance EMI / RF shielded box

### MPSB-21-35-12 - Medium performance EMI / RF shielded box (210 x 354 x 120 mm)

#### Data- and powerline-filters

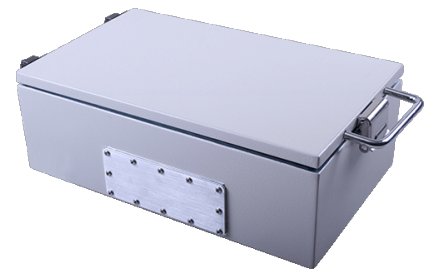
By default, this box comes with 6 shielded SMA penetrations, 12Vdc, data line filter (RJ45), 2 times USB and a VGA penetration. Many other shielded conduits are available on request. They may optionally also be added later.

#### Features

- Wireless communication test system
- For 3G, wifi, Bluetooth wireless test
- High levels of shielding attenuation, greater than 75dB
- Easy & Flexible operation in Lab and production line
- R&D, custom design
- Box can be equipped with shielded power filters for power connection in the box while still blocking all wireless signals.

#### Technical specifications

Data interface	RJ45+USB*2+RS232
Radio frequency interface	SMA*6
DC power outlet	DC*1
Work size(mm)	200(W)*334(D)*115(H)
Appearance size(mm)	210(W)*354(D)*120(H)
Box body material	Mu-ferro
Weight (kg)	4
Working temperature(°C)	0-50
Frequency(GHz)	0.8~6GHZ
Supply Ability	max. 1000 per week
Isolation	≥80 Db @2.4GHz)&(≥70 Db @5.8GHz)
Appearance color	Beige (Other on request)



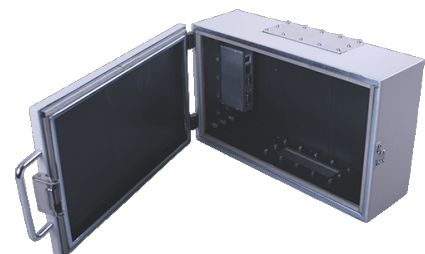
Closed view



Open view



Back view



Inside view

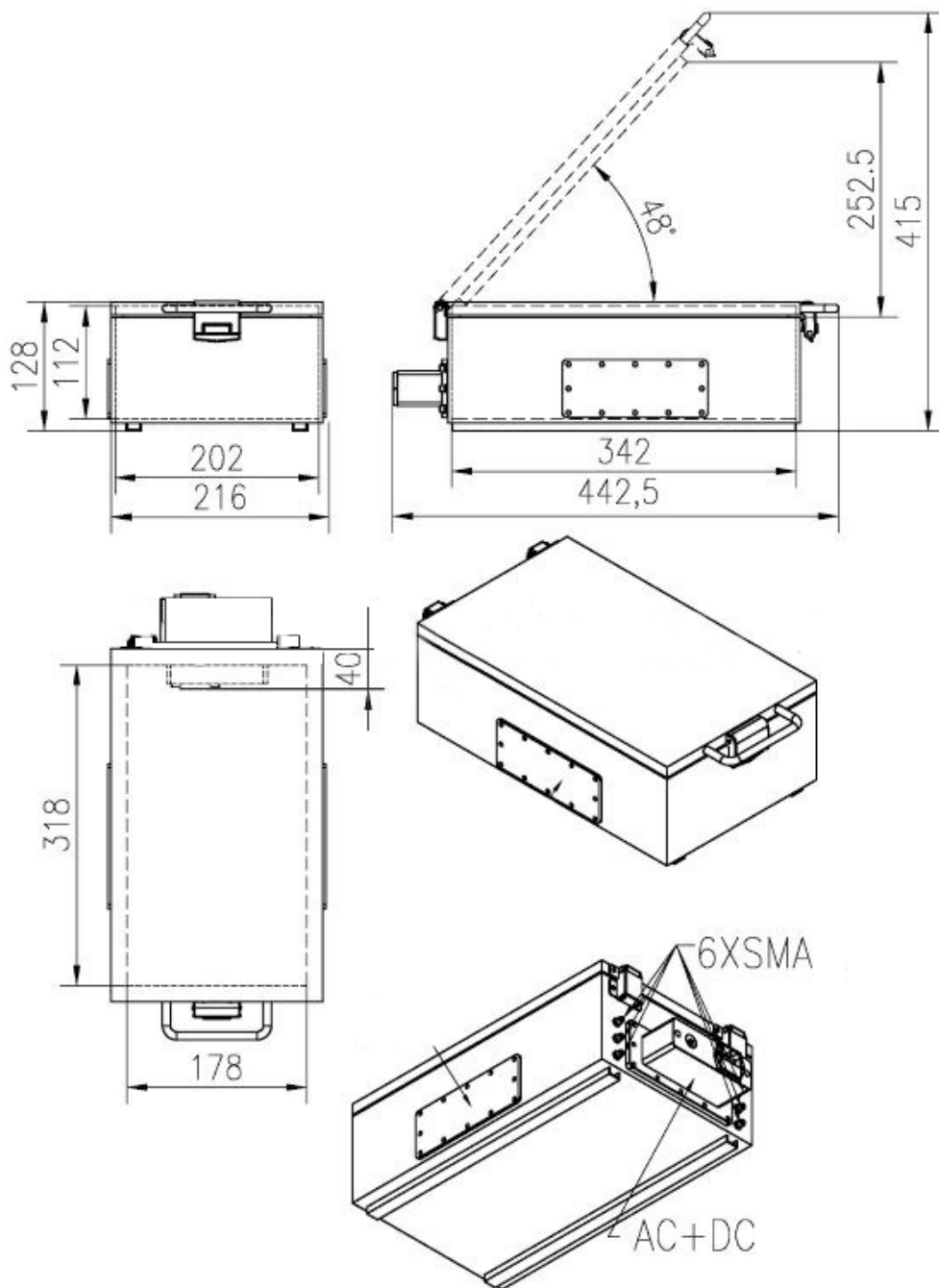
#### Attenuation

The RF shielded box is the most economical solution for example, blocking GSM, WiFi, Bluetooth and other wireless communication standards. The average attenuation over a wide frequency range is 80 dB. See attenuation table below.

Frequency (Mhz)	Attenuation (dB)
2400	Front 84, Behind 79
5800	Front 83, behind 76

*These values are measured under laboratory conditions.  
In your situation results may differ, please read our [Guarantee](#).*

## MPSB-21-35-12 - Medium performance EMI / RF shielded box



### Extra interface types (on request) (possible both types of shielding boxes)

VGA,DB9,DB25,USB2.0,USB3.0,SMA,RJ45,BNC,RCA,DC,AC(optional)

Partnumber / Ordercode:

MPSB-21-35-12