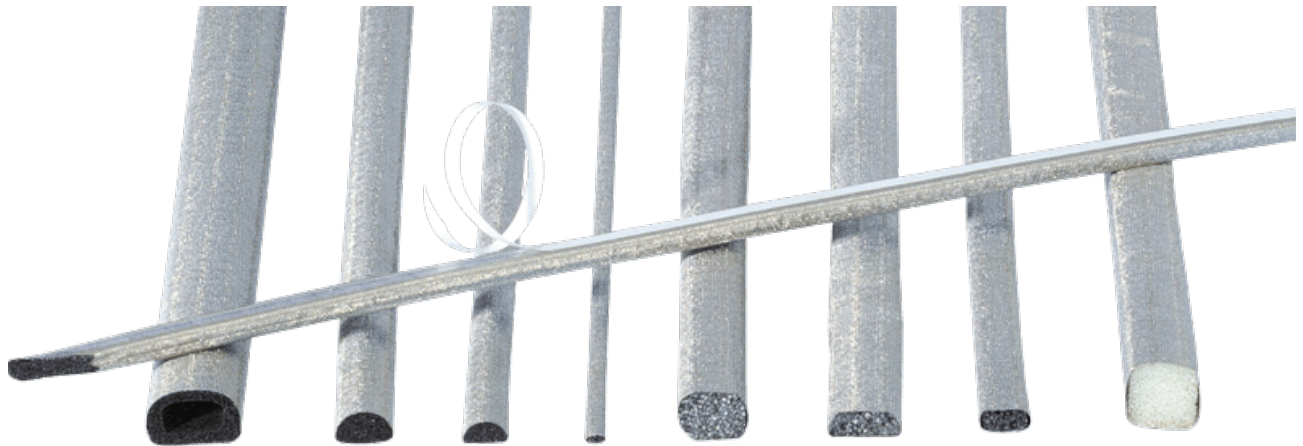


Ultra Soft Shield



Ultra soft shield 7400

For doors and panels, very low closure force to prevent bending of doors, lids and panels. Very soft gasket.

Ultra soft shield 7400 series is an HF-shielding gasket with high shielding performance and extremely low closure force. This prevents deflection of doors/parts, which improves shielding effectiveness. The product works very well in combination with stainless steel and other metals.

The core consists of high-grade polyurethane foam with a maximum compression of 80%, which distinguishes Ultra soft shield 7400 from other commonly used shielding materials.

Ultra soft shield 7400 is covered with a highly conductive, wear & tear resistant, metallized fabric.

Different foam cores and conductive foils/fabrics are available for special applications.

Tape specification

- **01** Standard self-adhesive placed in the middle
- **02** Without self-adhesive
- **03** With conductive self-adhesive
- **06** Standard self-adhesive, asymmetrical

Foam specification

- **P** Standard polyurethane foam
- **F** Flame retardant UL94V-0 foam

Benefits

- Gasket can be compressed up to 80%
- Very low closure force
- Very high electrical conductivity
- High shielding performance
- Roll lengths of 1 to 1000 meters, depending on width and height of the EMI gasket
- Easy to fit with self-adhesive
- High abrasion resistance
- Can be cut with a pair of scissors
- Because the Ultra soft shield 7400 series is so soft, it is easy to bend it around corners

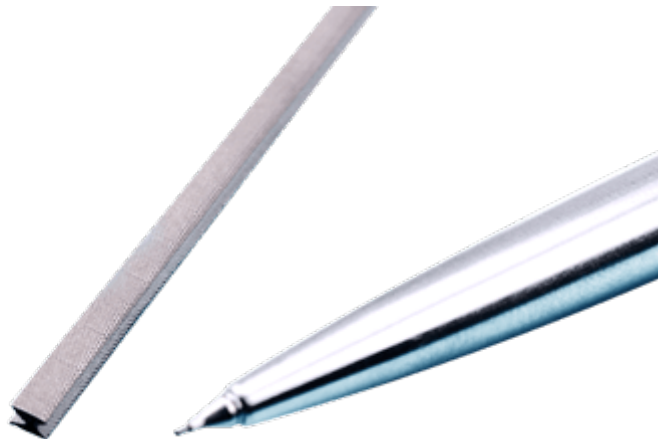
Options (on request)

Ultra Soft Shield

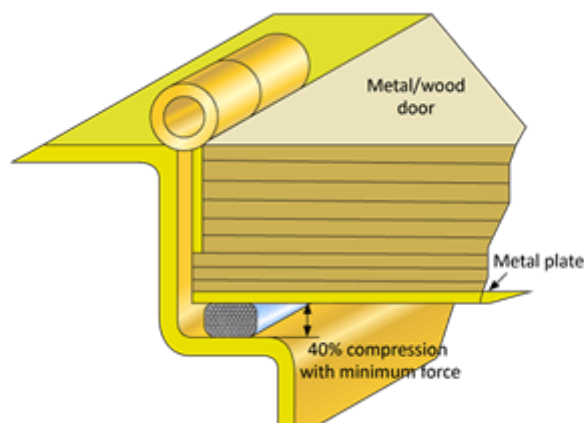
- Cut into accurate lengths
- Ultra soft shield 7400 series combined with a water seal (see our Ultra soft twin shield 7800 series)
- With UL94V-0 flame-retardant foam core
- With chemical-resistant rubbers like EPDM
- With silicone-sponge core for high temperatures up to 220 °C
- Different conductive foils and fabrics
- Bites or shapes cut out for easy application or bends, possible according to customer drawing



Our Ultra soft shield 7400 series is very easy to compress



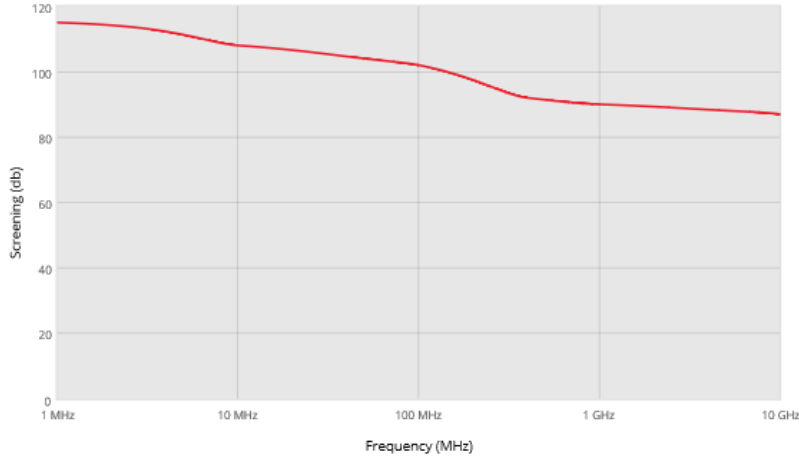
Ultra soft shield 7400 series can now also be supplied in sizes as small as 3 x 3 mm



Ultra Soft Shield

Ultra soft shield is commonly used for shielded doors to prevent bending of the door

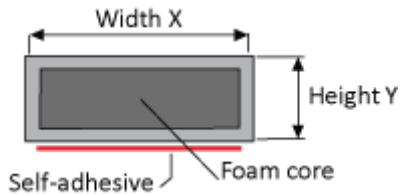
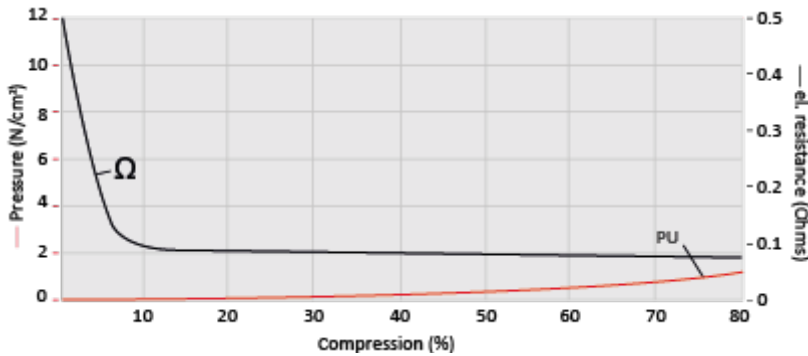
Shielding performance



7400 series - Ultra soft shield

Please note : These values are measured under laboratory conditions. Results may vary in other situations; please read our Guarantee.

Mechanical properties



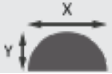







Height Y (mm)	Width X (mm)										
	3	4	5	6	9	10	12	15	18	20	25
3	7433	7443	7453	7463	7493	74103	74123	74153	74183	74203	74253
4		7444	7454	7464	7494	74104	74124	74154	74184	74204	74254
6			7466	7496	74106	74126	74156	74186	74206	74256	
8					7498	74108	74128	74158	74188	74208	74258
9					7499	74109	74129	74159	74189	74209	74259
10						741010	741210	741510	741810	742010	742510
12							741212	741512	741812	742012	742512
15								741515	741815	742015	742515
18									741818	742018	742518
20										742020	742520
25											742525

Ultra Soft Shield

Bold item numbers are 98% stock items.
Other dimensions on request.

Special profile shapes

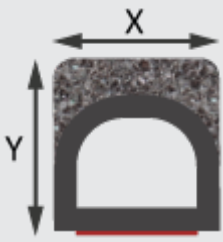

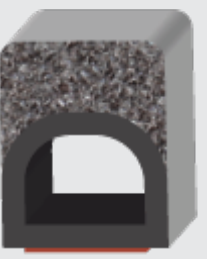


These special profile shapes are made of EPDM rubber and due to the convex and/or concave shape, they can be compressed with little force.

EPDM rubber	740072	740068	740058	740062	740064	740076	740051
							
Y x X mm	2 x 4 mm	3 x 6 mm	4 x 8 mm	6 x 8 mm	8 x 12 mm	10 x 12 mm	17 x 21 mm
Y x X inch	.079" x .157"	.118" x .236"	.157" x .315"	.236" x .315"	.315" x .472"	.394" x .472"	.669" x .826"

High deflection version

We have developed a combination gasket for an extremely high spring range. These gaskets are developed for applications where a high deflection and a high spring range is required. To give you an example. A 26 mm high deflection gasket can be compressed up to 7 mm without overly exerting excessive force. That is 70% compression at low force.



Part number	7400763	7400766	7400769	74007612
				
Y x X mm	15 x 12mm	18 x 12mm	21 x 12mm	24 x 12mm
Y x X inch	.590 x .472"	.708" x .472"	.826" x .472"	.944" x .472"

With recesses for easy bending

It is possible to cut at the desired position with small cuts, so that the gasket is easy to bend. For more information please click [here](#).

Ordercode:

Part number	Tape code	Foam code
Select an option: Specify the part number from the Standard dimensions table above, for example 7494	Select an option: 01 : standard self-adhesive placed in the middle 02 : without self-adhesive 03 : with conductive self-adhesive (only recommended on small sizes) 06 : standard self-adhesive, asymmetrical	Select an option: P : Standard polyurethane foam F : Flame retardant UL94V-0 foam

* Note: The **red** blocks are required