

4965 / 4966 - High performance EMC cable glands

Infracron is setting new standards in attenuation values with the 4965 / 4966 - High performance EMC cable glands, as demonstrated by its successful certification for Cat. 7A applications. Now these high-quality, EU-approved EMC cable glands have fulfilled the demanding requirements for UL certification and can therefore also be used worldwide.

Its triangular spring makes 360 contact with the screening braid. The cable gland combines excellent HF-damping performance and ease of installation with the other system features to achieve values greatly in excess of the requirements of EN 50262. Whereas Cat. 7A requirements in accordance with DIN IEC 61156-5 demand at least 60 dB up to 1,000 MHz, our High performance EMC cable glands performs significantly better, attaining values of 65 dB to over 100 dB. Even in the high frequency range up to 2.5 GHz, the values are typically a minimum of 50 dB. The cable gland also has a very high current-carrying capacity.

The High performance EMC cable glands is available in sizes M16 to M85 in brass, stainless steel 1.4305 and 1.4571 with standard metric threads and 15 mm long special threads.

When it comes to installation, High performance EMC cable glands also leads the way: the screening braid is first exposed, then the cable can be simply pushed through the cable gland, which automatically causes the triangular spring to make secure contact around the screening braid, without the pressure screw having to be tightened. The design of the spring precludes its getting caught in the braiding even if the assembly is dismantled.

4965 - High performance EMC cable glands

Brass nickel plated high performance EMC cable gland, with metric thread as per EN 60423.

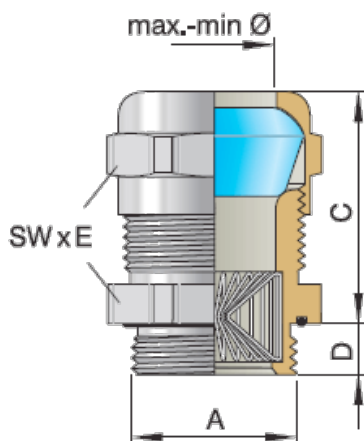
Type of protection: IP 68 (up to 15 bar)

Gland body

Material	Execution
Brass	Galv. nickel plated

Sealing inserts

Material	Temperature range min./max.	Color
TPE	-40 C/+115 C	blue



4965 - High performance EMC cable gland technical drawing

Part number	Connection thread/length		Sealing range max./min mm	Sealing range without inlet max./min mm	Sealing range with inlet max./min mm	Clamping range max./min mm		Spanner width SW x E mm
	A	D mm				C mm		
4965-12-5	M12 x 1,5	5,0	-	-	8,0 - 5,0	-	5,0 - 3,0	21
4965-16-6	M16x1,5	6,0	-	11,0 - 7,0	-	9,0 - 5,0	25	20x22,2
4965-20-6,5	M20x1,5	6,5	-	14,0 - 9,0	-	12,0 - 7,0	29	24x26,5
4965-25-7,5	M25x1,5	7,5	20,0 - 11,0	20,0 - 16,0	16,0 - 11,0	16,0 - 10,0	29	30x33
4965-32-8-8	M32x1,5	8,0	25,0 - 15,0	25,0 - 20,0	20,0 - 15,0	20,0 - 13,0	32	36x39,5
4965-40-15	M40x1,5	15,0	32,0 - 20,0	32,0 - 20,0	26,0 - 20,0	28,0 - 20,0	35	45x48
4965-50-15	M50x1,5	15,0	42,0-32,0	42,0-35,0	35,0-32,0	37,0-28,0	38	57x61
4965-63-20	M63x1,5	20,0	54,0-42,0	54,0-46,0	46,0-42,0	46,0-37,0	38	68x72
4965-75-20	M75x1,5	20,0	65,0-55,0	65,0-58,0	58,0-55,0	58,0-46,0	48	81x87
4965-85-20	M85x2	20,0	77,0-66,0	77,0-70,0	70,0-66,0	65,0-58,0	49	

Produkt anfragen

4965 / 4966 - High performance EMC cable glands

* Long connection thread 15 mm for M12-M32 on request.

* M12 up to M20 are supplied without inlet! M25 up to m50: shorter inlet!



4965 - High performance EMC cable glands

4966 -High performance EMC cable glands for high temperatures

Brass nickel plated high performance EMC cable gland, with metric thread as per EN 60423. This high performance EMC cable gland is practically the same as 4965, however, these can withstand higher temperatures.

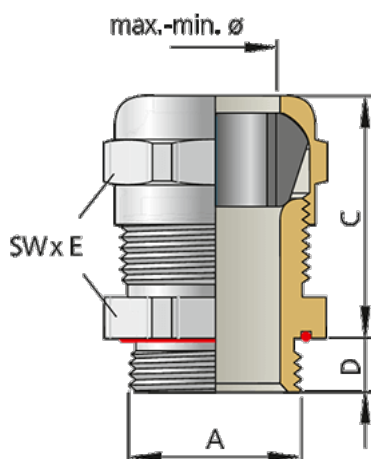
Type of protection: IP 66, IP 68 (up to 15 bar)

Gland body

Material	Execution
Brass	Galv. nickel plated

Sealing inserts

Material	Temperature range min./max.	Color
Silicone	-55C/+160C	black



4966 - High performance EMC cable gland for high temperatures

Part number	Connection thread/length		Sealing range max./min mm	Sealing range without inlet max./min mm	Sealing range with inlet max./min mm	Clamping range		Spanner width	
	A	D mm				max./min mm	C mm	SW x E mm	
4966-16-6	M16 x 1,5	6,0	-	-	11,0 - 7,0	-	9,0 - 5,0	25	50
4966-20-6,5	M20x1,5	6,5	-	14,0 - 9,0	-	12,0 - 7,0	29	24x26,5	
4966-25-7,5	M25x1,5	7,5	20,0 - 11,0	20,0 - 16,0	16,0 - 11,0	16,0 - 10,0	29	30x33	
4966-32-8	M32x1,5	8,0	25,0 - 15,0	25,0 - 20,0	20,0 - 15,0	20,0 - 13,0	32	36x39,5	
4966-40-15	M40x1,5	15,0	32,0 - 20,0	32,0 - 26,0	26,0 - 20,0	28,0 - 20,0	35	45x48	

Produkt anfragen

4965 / 4966 - High performance EMC cable glands

- * Long connection thread 15 mm for M12-M32 on request
- * M16 up to M20 are supplied without inlet! M25 up to m40:with inlet!
- * Pay attention to exact adjustment of inlet before tightening the pressure screw.



4966 - High performance EMC cable gland for high temperatures

Series	Connection thread	Conn. thread length (mm)
Select an option:		6
4965 : High performance EMC cable glands	When you for example need a EMC cable gland for Connection thread M 16, specify 16	
4966 : High performance EMC cable glands for high temperatures		