

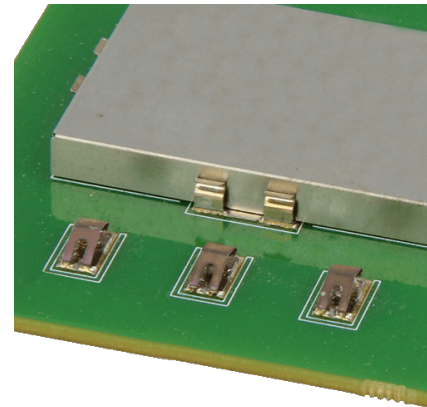
2900 - PCB spring contacts

Our new multi-directional contacts are suitable for both vertical and horizontal contact actions. Designed for wiping and sliding applications and available in a wide range of sizes. The protection tips prevent product from hooking.

Our PCB spring contacts are for use in shielding, grounding and general electrical connections applications. Ideal for use on surface mount PCB's. The product is also known as Grounding / EMI/ RFI contacts, spring or Shield Finger.

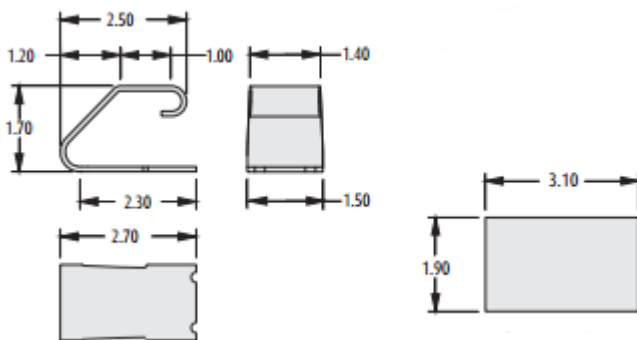
They are supplied on Tape and Reel packaging and are ideally suited for automatic placement.

Mounted in a row, the contacts can provide an excellent RFI shielding connection for metal doors or other cabinet enclosures. However, here we can better advise our beryllium copper fingerstrips.



Example image of 2901-02 2.5mm high spring contact mounted on PCB

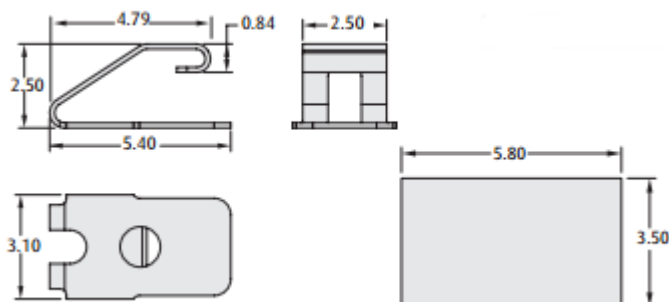
2901-01 - 1.7mm high Spring Contact



**Part number
2901-01**

Contact Gender:	Male/Plug
Connector Orientation:	Vertical
Current Rating:	4A
Operating Temperature:	-40C to +105C
Maximum Soldering Temperature:	260C for 10 seconds
Finish/Plating on Termination:	Gold
Finish/Plating on Contact Surface:	Gold
Weight:	0.008g
Body Length:	2.7mm
Height of Connector above PCB:	1.7mm

2901-02 - 2.5mm high Spring Contact



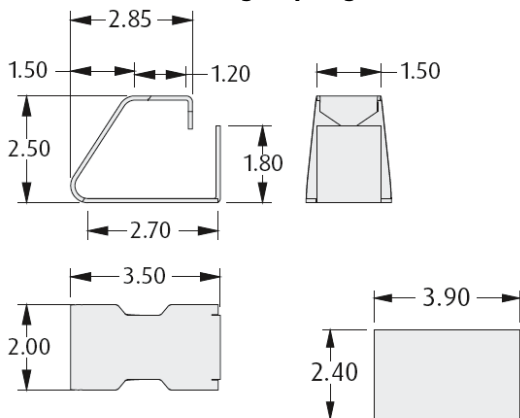
2900 - PCB spring contacts

Part number 2901-02



Contact Gender:	Male/Plug
Connector Orientation:	Vertical
Current Rating:	6A
Operating Temperature:	-40C to +105C
Maximum Soldering Temperature:	260C for 10 seconds
Finish/Plating on Termination:	100% Tin over Nickel
Finish/Plating on Contact Surface:	100% Tin over Nickel
Weight:	
Body Length:	5.4mm
Height of Connector above PCB:	2.5mm

2901-03 - 2.5mm high Spring Contact



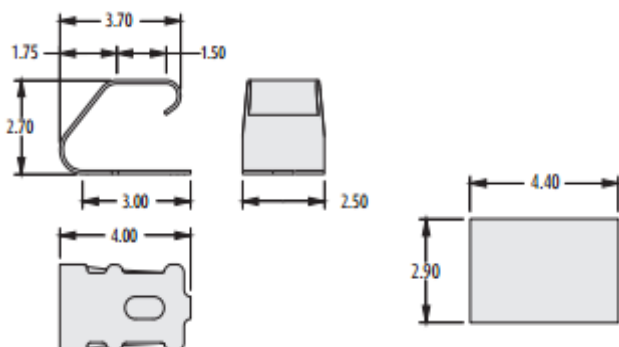
Recommended PC Board Pattern

Part number 2901-03



Contact Gender:	Male/Plug
Connector Orientation:	Vertical
Current Rating:	5A
Operating Temperature:	-40C to +105C
Maximum Soldering Temperature:	260C for 10 seconds
Finish/Plating on Termination:	100% Tin over Nickel
Finish/Plating on Contact Surface:	Nickel
Weight:	0.015g
Body Length:	3.5mm
Height of Connector above PCB:	2.5mm

2901-04 - 2.7mm high Spring Contact



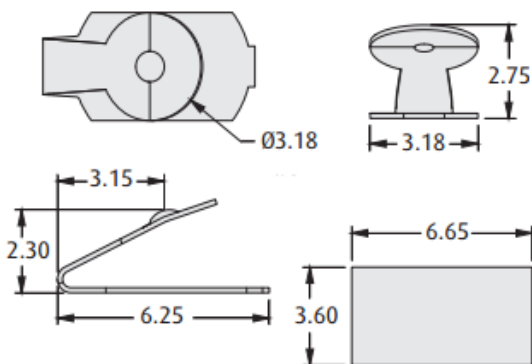
2900 - PCB spring contacts

Part number 2901-04



Contact Gender:	Male/Plug
Connector Orientation:	Vertical
Current Rating:	6A
Operating Temperature:	-40C to +105C
Maximum Soldering Temperature:	260C for 10 seconds
Finish/Plating on Termination:	100% Tin over Nickel
Finish/Plating on Contact Surface:	Gold
Weight:	0.019g
Body Length:	4mm
Height of Connector above PCB:	2.7mm

2901-05 - 2.75mm high, single point Spring Contact



Part number 2901-05



Contact Gender:	Male/Plug
Connector Orientation:	Vertical
Current Rating:	4A
Operating Temperature:	-40C to +105C
Maximum Soldering Temperature:	260C for 10 seconds
Finish/Plating on Termination:	100% Tin over Nickel
Finish/Plating on Contact Surface:	Gold
Weight:	0.036g
Body Length:	6.25mm
Height of Connector above PCB:	2.75mm

2901-06 - 3.5mm high Spring Contact (Selective Gold)

