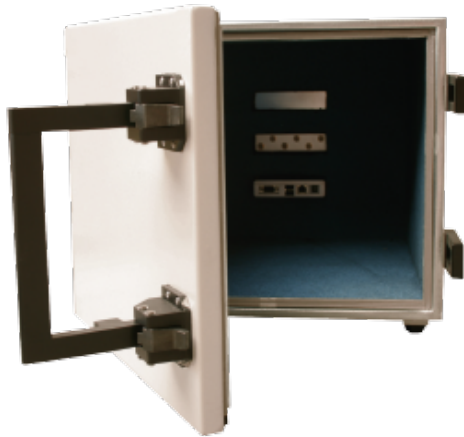


## Compact desktop measurement box



### Compact desktop measurement box

Shielded box for testing. Working size 350(W)\*400(D)\*300(H)

### Compact desktop measurement box (350 x 400 x 300 mm)

- An ideal solution for Bluetooth, WiFi, 3G/4G phones testing
- High isolation
- Easy & Flexible operation

### Technical specifications

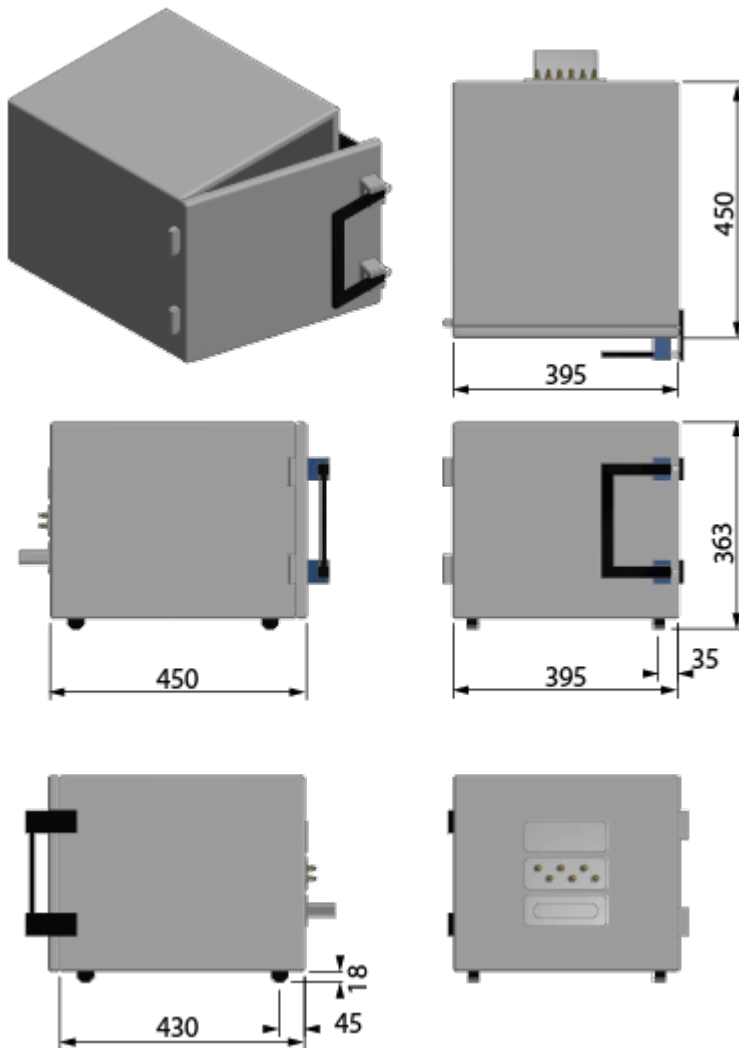
Shielding effect	More than 70 dB
Interface type	Type 2, Type 4
Numbers of filters	3 pcs
Working temperature (°C)	Operates at room temperature
Working dimensions (mm)	350(W)*400(D)*300(H)
Outer dimensions (mm)	430(W)*538(D)*366(H)
Weight (kg)	20 kg
Colour of appearance	Beige
* Notice: dimensions are indicative	

### Features

- High levels of shielding attenuation, greater than 75 dB
- Box can be equipped with shielded power filters for power connection in the box while still blocking all wireless signals.
- Easy & Flexible operation in Lab and production line
- R&D, custom design

### Technical drawing

## Compact desktop measurement box



Part number

**MPSB-35-40-30**