

9530 - Honeycomb fan shield

A range of low cost EMC vents for use with standard fan size fans. The Honeycomb fan shield 9530 series are designed to provide EMI shielding and maximum air flow without degrading the fan output.

These vents provide a low cost option to perforated metal when airflow rates are critical. A beautiful high-gloss acrylic frame is fitted with one layer of **6,35 or 12,7 thick** honeycomb material and an optional Amucor conductive gasket to ground the honeycomb to the metalwork. The vents have 4 countersunk holes to suit standard fan mounting.

Holland Shielding Systems B.V. stocks Honeycomb Fan Shield in almost all sizes corresponding to industry standard fans with standard 4-hole mounting (See table below for the standard sizes).

Shielding performance

Shielding performance is achieved from 1/8 cell aluminum honeycomb panels with compressed mounted in a square shaped flat Mu- ferro plate with a circular cut-out on the inside. The contact with the housing is made with an amucor shielding gasket cut into the correct shape of the Honeycomb fan shield.

Performance below have been measured with honeycomb specifications 1/8 Cell size, 1/4 Thick.

Frequency	Field	Typical (db)
200KHz	H	53
100MHz	E	102
500MHz	P	85
2GHz	P	74
10GHz	P	58

Dust screen (on request)

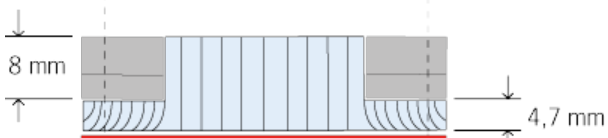
Dust screens consisting of multilayer expanded aluminum can be added, but airflow will be restricted.

360 Honeycomb fan shield presentation

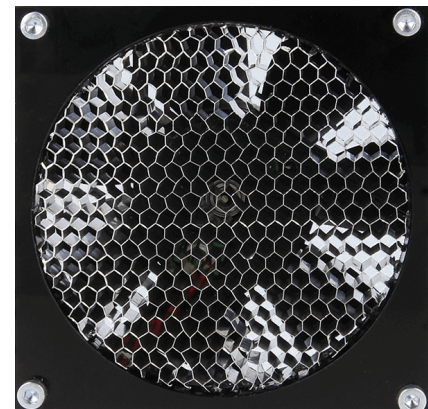
Honeycomb fan shield available thicknesses



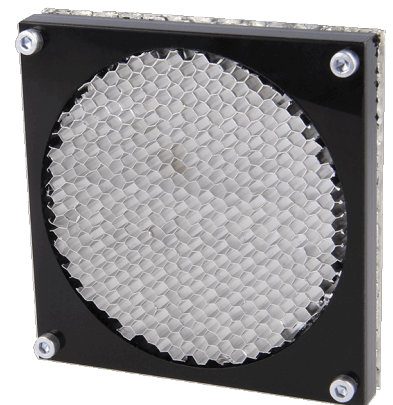
Honeycomb fan shield 6.35 mm thick version



Honeycomb fan shield 12.7 mm thick version



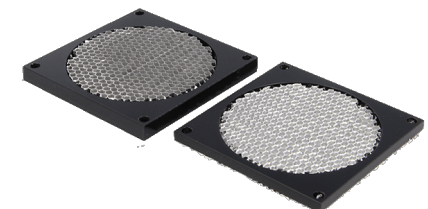
9530 series - Honeycomb fan shield 80 x 80 mm example



9530 series - Honeycomb fan shield 80 x 80 mm example



9530 series - Honeycomb fan shield are available in different colours



9530 series - Honeycomb fan shield are available in 6,35 mm 12,7 mm thickness

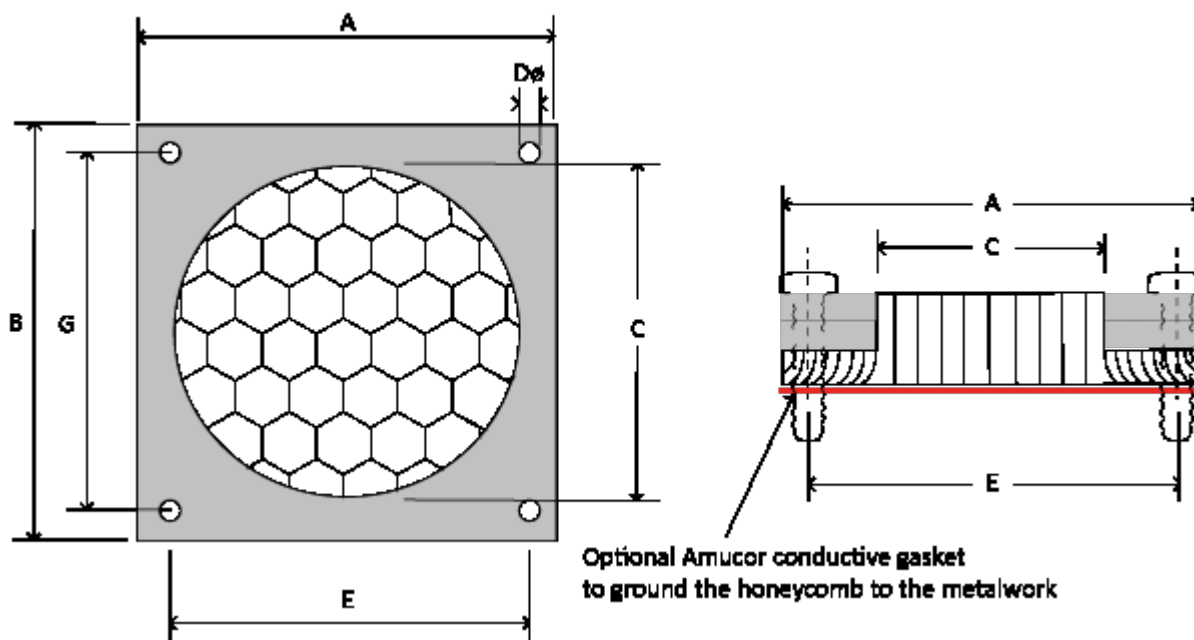
9530 - Honeycomb fan shield



9530 series - Honeycomb fan shield
can be delivered with an cut to size
Amucor gasket

Standard dimensions

In the table below some common types are specified to illustrate the required information. Drillhole diameter is standard 3.5mm but it can also be delivered in any other size. Also available with screw apertures or inserts on request.



Honeycomb fan shield technical drawing

Part number	Outer dimension			D	no	Mounting holes horizontal		Mounting holes vertical	
	A	B	C			E	no	G	
9530-40-40	40	40	31,5	3,5	2	32	2	32	
9530-50-40	50	50	41,2	3,5	2	42	2	42	
9530-60-60	60	60	53	3,5	2	50	2	50	
9530-70-70	70	70	68	3,5	2	61,5	2	61,5	
9530-80-80	80	80	76,5	3,5	2	71,5	2	71,5	
9530-90-80	90	90	90	3,5	2	82,5	2	82,5	
9530-120-120	120	120	115,06	3,5	2	104,8	2	104,8	
9530-140-140	140	140	130	3,5	2	125	2	125	
9530-220-220	220	220	206,5	3,5	2	173,9	2	173,9	

(Optional) other sizes on request