

BB02-WE:- 1.00MM (0.039") SOCKET, SINGLE ROW, STRAIGHT, SMT TYPE, 02 TO 35 CONTACTS, DUAL ENTRY

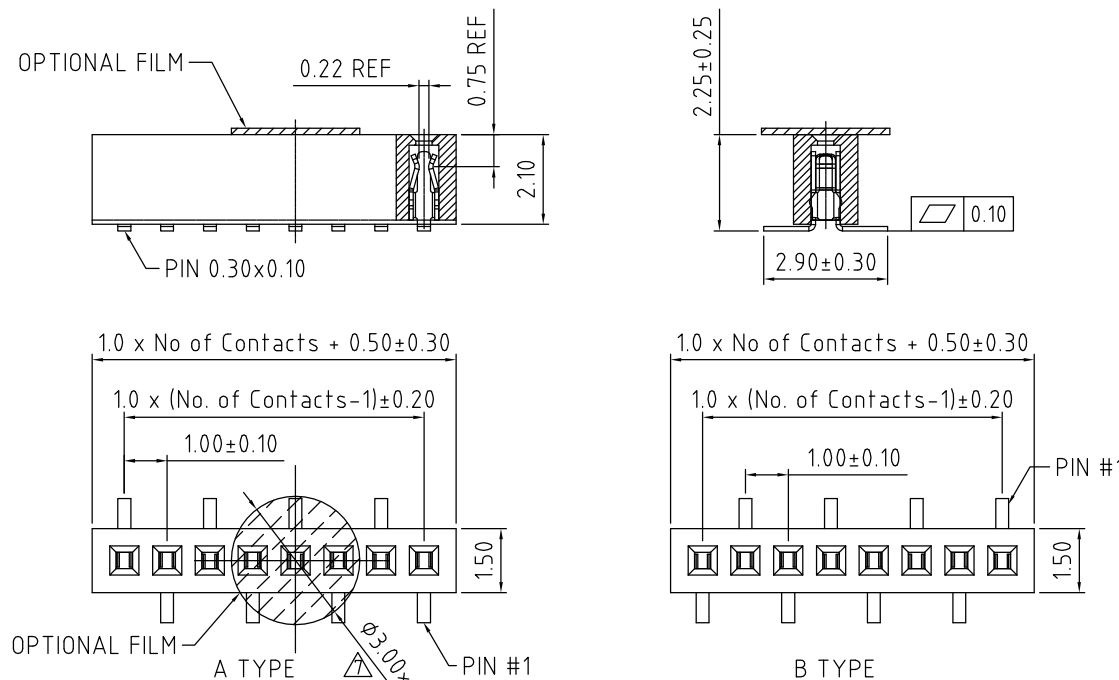
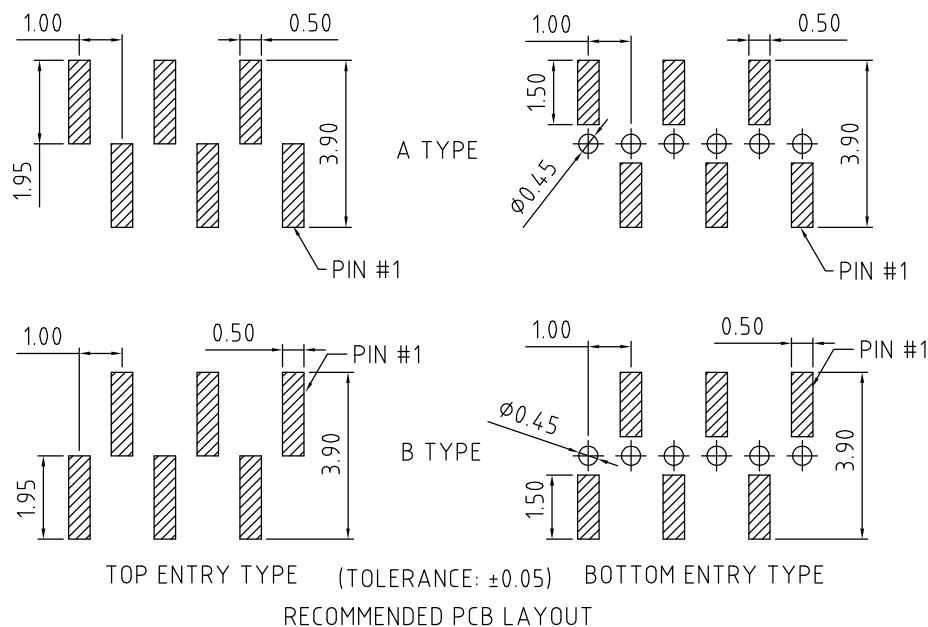
SPECIFICATIONS :

- CURRENT RATING: 1.0AMP Δ
- INSULATOR RESISTANCE: 1000 MEGOHMS MIN.
- DIELECTRIC WITHSTANDING: AC 300 V
- CONTACT RESISTANCE: 20m OHMS MAX.
- OPERATING TEMPERATURE: -40°C TO +105°C
- CONTACT MATERIAL: PHOSPHOR BRONZE
- INSULATOR MATERIAL: THERMOPLASTIC, UL 94V-0
STANDARD: LCP+30%GF
- PLATING: GOLD OR TIN OVER 30-50U" NICKEL
- SOLDERABILITY IR REFLOW: 280°C FOR 10 SEC
MANUAL SOLDER: 380°C FOR 3-5 SEC

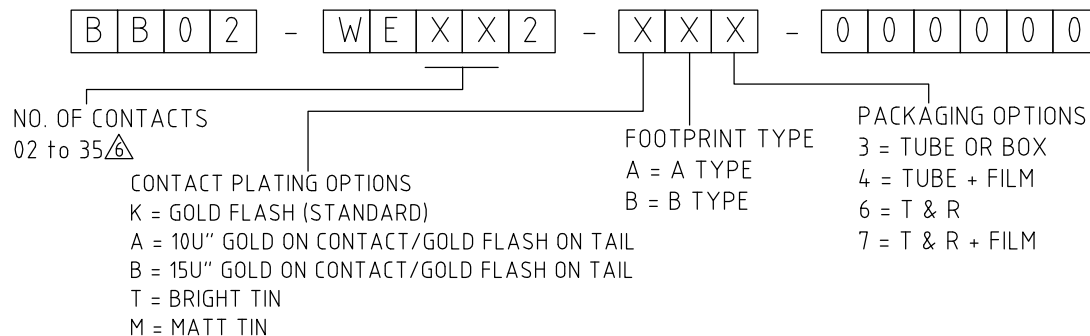
NOTES:

- 1. RECOMMENDED MATING PIN LENGTH FOR TOP ENTRY: 1.5MM-1.8MM.

MATES WITH: - BB02-YJ BB02-YL BB02-YN
BB02-YK BB02-YM BB02-YR



HOW TO ORDER



REV.	DATE & DRN
1.0	17/06/08-NYW - RELEASE
1.1	25/07/08 - NYW - DRAWING MODIFICATION
1.2	03/07/09 - NYW - CHANGE CURRENT RATING
1.3	29/12/09 - NYW - ADD PLATING OPTIONS A & B
1.4	04/06/10 - NYW - CHANGE FILM TO ROUND TYPE
1.5	21/02/10 - CHC - AMENDED NUMBER OF WAYS
1.6	11/09/12 - NYW - CHANGE MAX. PIN# TO 35.
1.7	18/09/12 - NYW - CHANGE FILM FROM 4.0 TO 3.0.

Scale: 8:1	THIRD ANGLE	Unstated Tolerances: X. ± 0.30 X ± 0.25 .XX ± 0.15 XXX ± 0.10	Material SEE NOTE
Drawn: NYW		Title: SOCKET	NOT TO SCALE
App'd: XXX	Revision: 1.7	Unit: mm	

© THIS DRAWING IS CONFIDENTIAL AND MUST NOT BE COPIED OR DISCLOSED WITHOUT WRITTEN CONSENT

Type BB02-WE
BB02-WE
Drawing Number:
Sheet 1 of 1
Drawing © E and O E