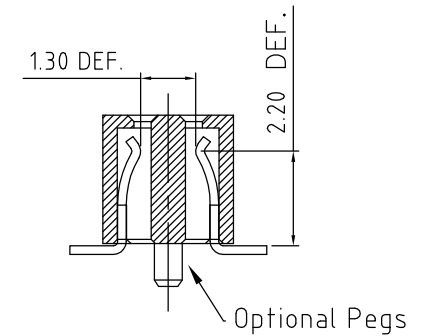
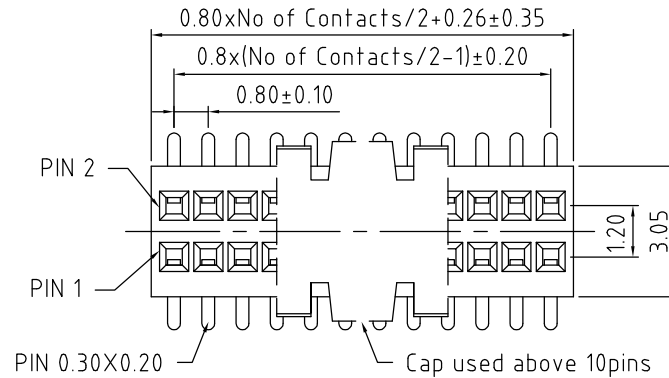


BB02-AZ:- 0.8x1.2MM SOCKET, DUAL ROW, STRAIGHT, SMT TYPE, 06 TO 100 CONTACTS, DUAL ENTRY

SPECIFICATIONS

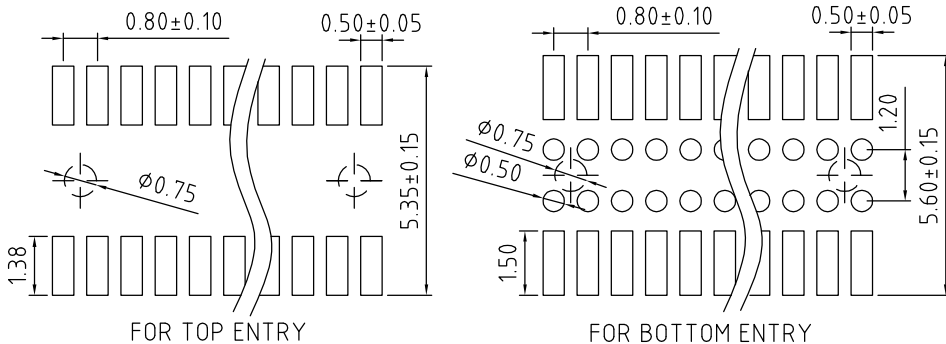
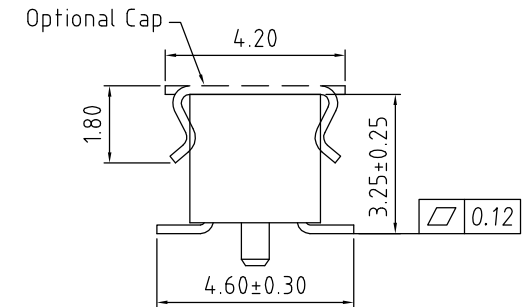
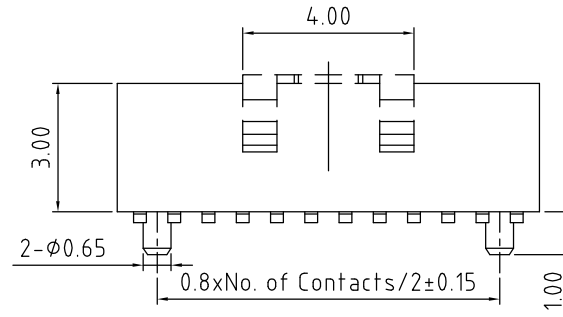
CURRENT RATING: 0.5AMP
 INSULATOR RESISTANCE: 1000 MEGOHMS MIN.
 DIELECTRIC WITHSTANDING: AC 300 V
 CONTACT RESISTANCE: 20m OHMS MAX.
 OPERATING TEMPERATURE: -40°C TO +105°C
 CONTACT MATERIAL: PHOSPHOR BRONZE
 INSULATOR MATERIAL: THERMOPLASTIC, UL 94V-0
 STANDARD: LCP
 PLATING: GOLD, TIN OR SELECTIVE FLASH OVER 30-50U" NICKEL
 SOLDERABILITY IR REFLOW: 280°C FOR 10 SEC
 MANUAL SOLDER: 380°C FOR 3-5 SEC



MATES WITH: - BB02-AY BB02-AW

NOTES:

1. RECOMMENDED MATING PIN LENGTH FOR TOP ENTRY: 2.0MM.
2. PARTS WITH SMALLER PIN NUMBERS MAY BE PACKED LOOSE IN BOX INSTEAD OF TUBE.



RECOMMENDED PCB LAYOUT

HOW TO ORDER



NO. OF CONTACTS:
 06 to 98
 00 = 100

CONTACT PLATING OPTIONS:
 K = GOLD FLASH (STANDARD)
 T = BRIGHT TIN
 M = MATT TIN
 D = GOLD FLASH ON CONTACT/BRIGHT TIN ON TAIL

PACKAGING OPTIONS:
 3 = TUBE
 5 = TUBE + CAP
 6 = TAPE & REEL
 8 = TAPE & REEL + CAP
 (see Note 2)

LOCATING PEGS OPTIONS:
 A = WITH PEGS
 B = WITHOUT PEGS

REV.	DATE & DRN
10.	08/08/08-NYW RELEASE
11.	15/03/11-NYW ADD NOTE 2
12.	11/11/15-NYW ADD LOCATING PEGS OPTIONS

Scale:	8:1
Drawn:	NYW
App'd:	XXX
Date:	17 NOV. '15

THIRD ANGLE	
Title:	SOCKET
Revision:	1.2

Unstated Tolerances:
.X ± 0.25
.XX ± 0.15
.XXX ± 0.10

Material	SEE NOTE
NOT TO SCALE	
Unit:	mm



THIS DRAWING IS CONFIDENTIAL AND MUST NOT BE COPIED OR DISCLOSED WITHOUT WRITTEN CONSENT

Type	BB02-AZ
	BB02-AZ
Drawing Number:	
Sheet 1	of 1
Drawing	E and O E