

PCB shield mounting - Large clip (LC)

The Large clip is a metal clip designed to insert PCB shielding cans/screening covers from our 1500 series into.

This clip is to be mounted onto the surface of a PCB (SMT) and offers a fast solution for assembling RFI/EMI shielding cans to PCB's. This clip eliminates the need for through holes and post reflow operations on the PCB. For best performance, the shielding clip needs to be mounted on the PCB ground pattern. This can be done by hand or by vacuum pick-up nozzle (automated).

This clip offers a great opportunity for tuning and re-work after the assembly of the screening cover. Thickness of the screening cover can be up to 0,3 mm. This clip can be supplied on reels of 1,900 pieces.

Technical specifications

Material	Beryllium Copper or Cupro-Nickel (Beryllium-free)
Finish	Tin
Packaging Format	Tape Reel or Pieces
Reel Quantity	1,900 on a 330mm reel
Contact Resistance	20 milli ohms max
Shield Thickness	up to 0.30mm
Insertion force (max)	3.0N
Withdrawal force (max)	1.0N

Delivery on reel



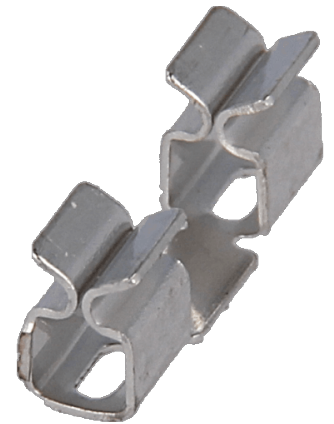
We can deliver our Large clips (LC) for mounting of PCB shielding cans on reel of 1,900 pieces.

Features

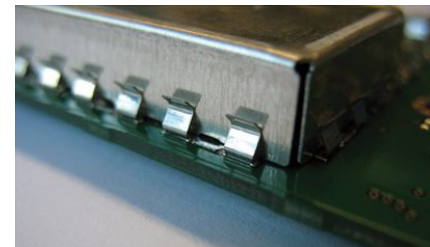
- Enhance your productivity by SMT process
- Seamless corners for ultra high EMI shielding effect
- Reduce shield clip numbers to down the costs

Applications

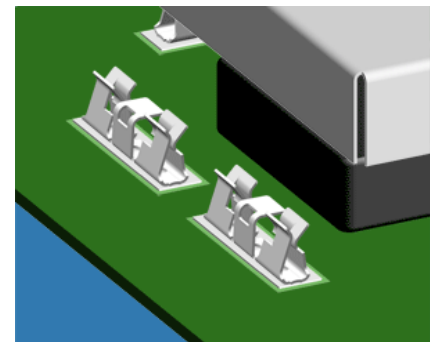
- Mass production
- Easy insertion and removal
- Convenient for re-work
- EU-RoHS Compliant, Pb Halogen free
- Also available in 90 version for seamless corners and high shielding effectiveness



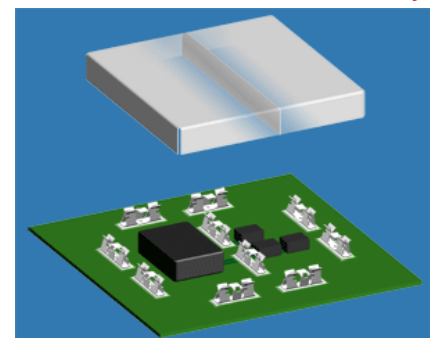
Large clip for mounting PCB shielding cans



Large clip for mounting PCB shielding cans



Example of how the PCB shielding can is placed in the clip. The clip holds the PCB shield can securely

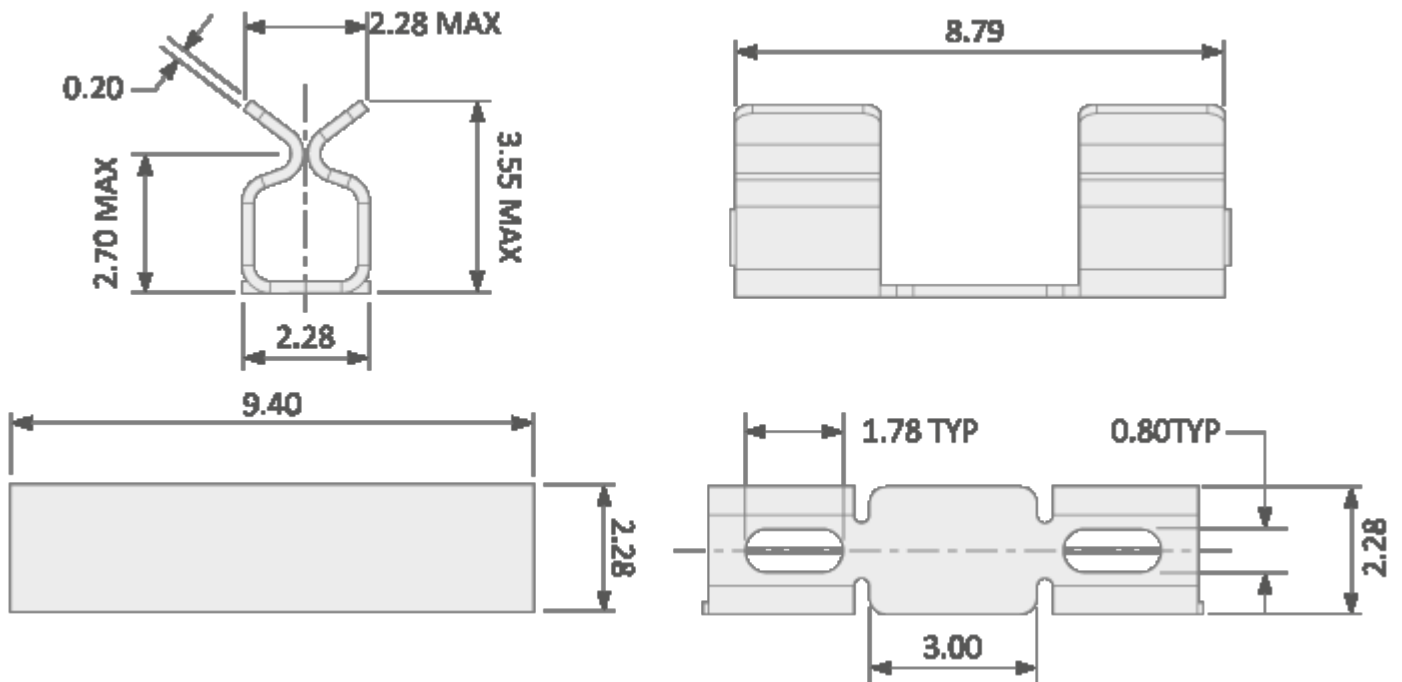


Example of how the PCB shielding can is placed in the clip. The clip holds the PCB shield can securely

PCB shield mounting - Large clip (LC)

For mobile phones, MP3, PDA, navigation systems, Wifi repeaters, walkie-talkies and much more...

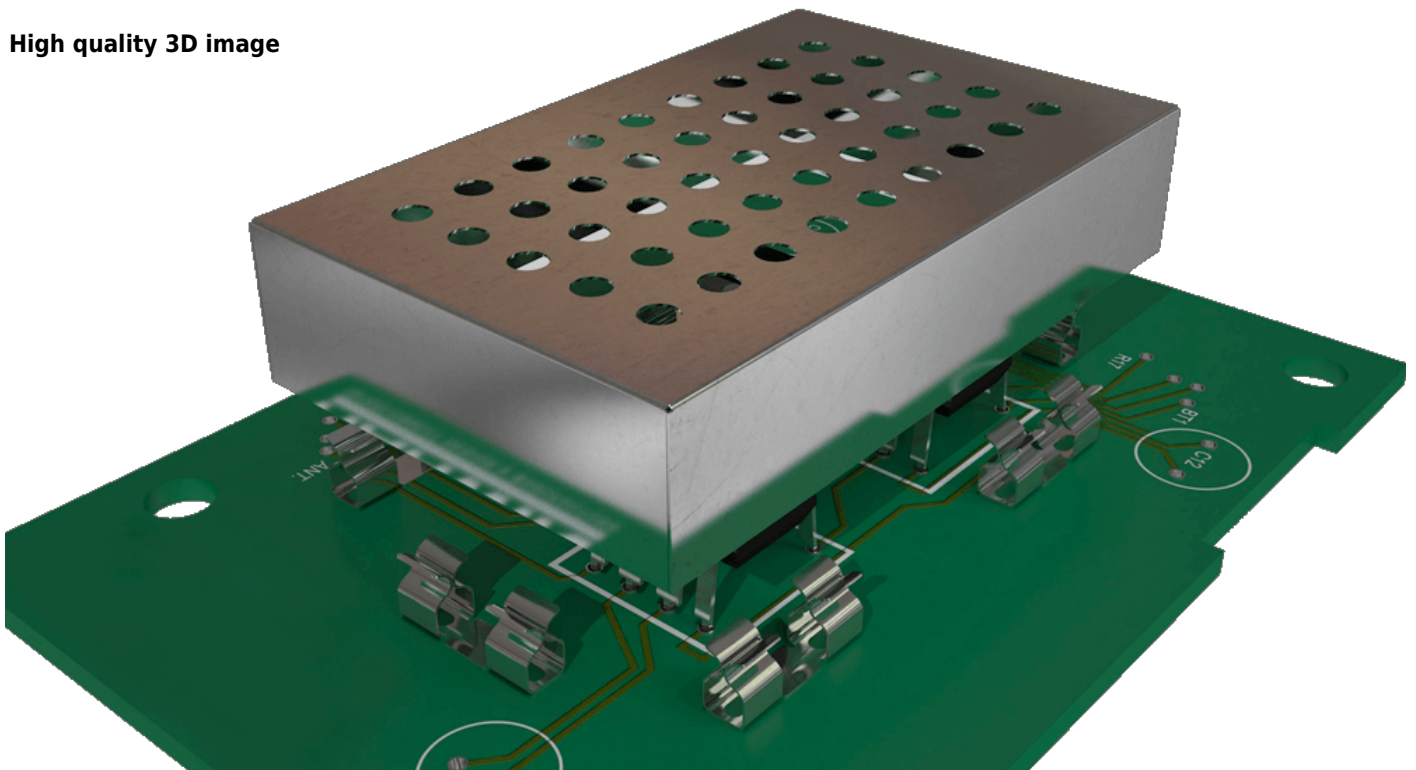
Technical drawing



Large clip for mounting PCB shielding cans technical drawing

PCB shield mounting - Large clip (LC)

High quality 3D image



Large clip for mounting PCB shielding cans 3D image.

Part number

LC

PCB shield mounting - Medium clip (MC)

This clip is to be mounted onto the surface of a PCB (SMT) and offers a fast solution for assembling RFI/EMI shielding cans to PCB's. This clip eliminates the need for through holes and post reflow operations on the PCB. For best performance, the shielding clip needs to be mounted on the PCB ground pattern. This can be done by hand or by vacuum pick-up nozzle (automated).

This clip offers a great opportunity for tuning and re-work after the assembly of the screening cover. Thickness of the screening cover can be within the range of 0.12 to 0.23 mm. This clip can be supplied on reels of 5,000 pieces.

The medium clip takes up 40% less space than the large clip.

Features

- Enhance your productivity by SMT process
- Seamless corners for ultra high EMI shielding effect
- Reduce shield clip numbers to down the costs

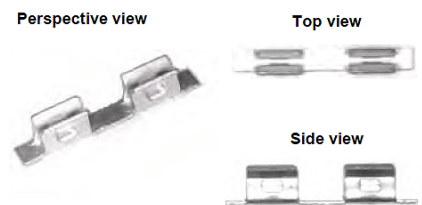
Benefits

- Mass production
- Easy insertion and removal
- Convenient for re-work
- Also available in 90 version for seamless corners and high shielding effectiveness
- For mobile phones, MP3, PDA, navigation systems, internet repeaters, walkie talkies and much more...

Technical drawing

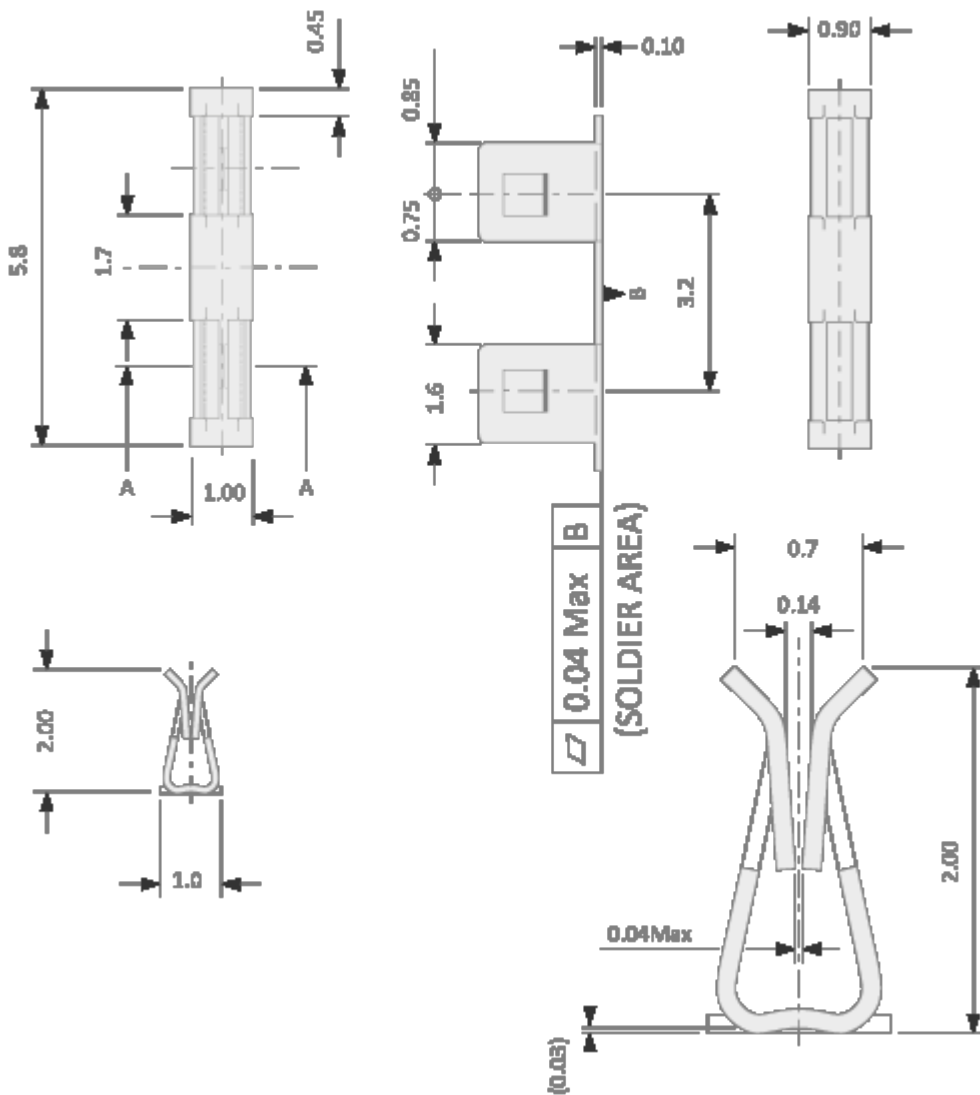


RF shielding clip | Medium clip for PCB shielding cans



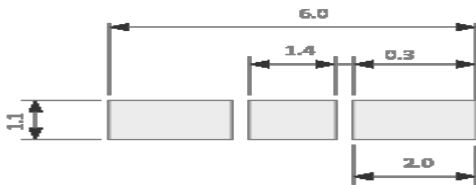
RF shielding clip | Medium clip for PCB shielding cans

PCB shield mounting - Medium clip (MC)



Medium clip for mounting PCB shielding cans

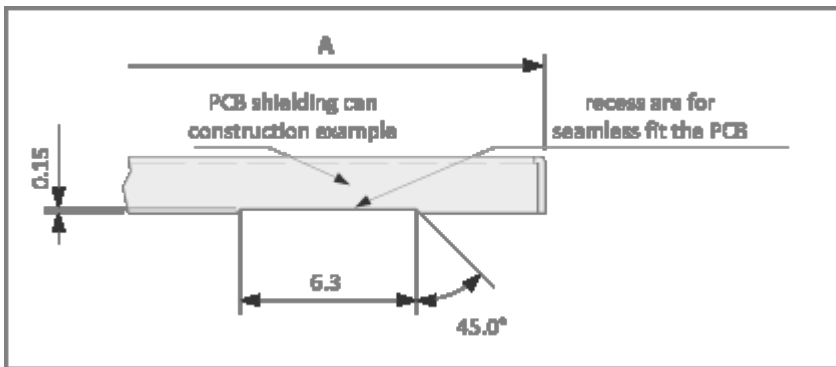
Recommended solder land



Medium clip for mounting PCB shielding cans

Recess area

PCB shield mounting - Medium clip (MC)



Medium clip for mounting PCB shielding cans

Technical specifications

Material:	Beryllium Copper or Cupro-Nickel (Beryllium-free)
Finish:	Tin
Packaging Format:	Tape Reel or Pieces
Reel Quantity:	5000 pieces on a 330 mm reel
Contact Resistance:	40 milli ohms max
Shield Thickness:	0.12 0.23mm
Insertion force (max):	5.0N (0.17mm shield)
Withdrawal force (max):	0.35N

Delivery on reel



We can deliver our Medium clip (MC) for mounting PCB shielding cans on reels of 5,000 pieces

Part number

MC

PCB shield mounting - Small pin (P)

The **Small Pin** is used to mount PCB screening cans and PCB shielding covers from our 1500 series PCB shielding cans onto your printed circuit board.

This pin is used to mount through the surface of the PCB and offers a fast solution for assembling RFI/EMI shields to PCBs. This clip needs through holes and post reflow operations on the PCB.

This clip with a tinned pin, can be soldered into the PCB at any available place around the screening cover.

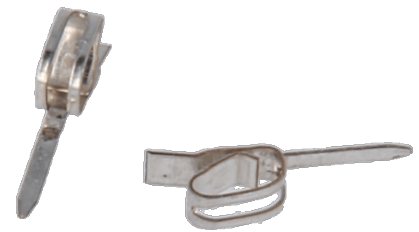
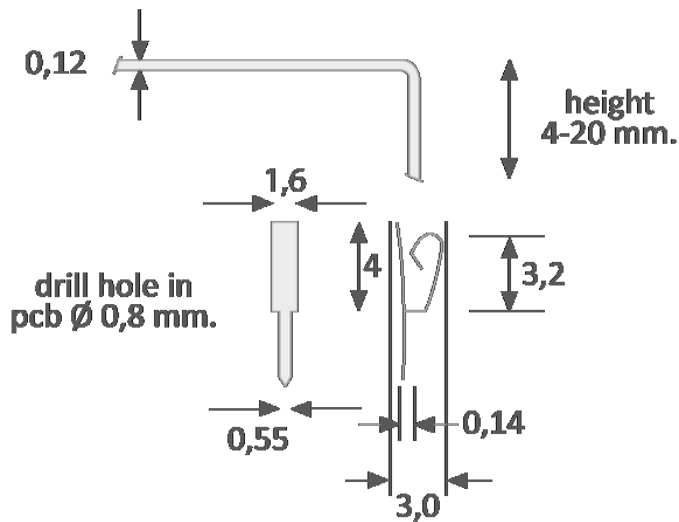
For more details concerning sizes of the Small pin see the technical drawing on the right side of the page.

Benefits

Thanks to the big clamping range, less accurate positioning is needed. Recommended distance between the pins depends on frequency you want to shield and the size of the PCB shielding can. For advice please consult our engineers.

Technical drawing

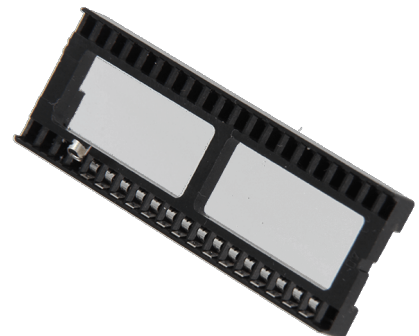
Below is a technical drawing of the small pin. In the drawing below, the wall thickness of the PCB shielding can is 0.12 mm thick. PCB shielding cans with a wall thickness like 0.18 mm can also be placed in this pin.



PCB shield mounting - Small pin



Small pin for mounting PCB shielding cans



Small pin can be supplied loose, but also in racks of 40 pieces

Part number

P

PCB shield mounting - Tiny clip (TC)

This clip is to be mounted onto the surface of a PCB (SMT) and offers a fast solution for assembling RFI/EMI shielding cans to PCB's. This clip eliminates the need for through holes and post reflow operations on the PCB. For best performance, the shielding clip needs to be mounted on the PCB ground pattern. This can be done by hand or by vacuum pick-up nozzle (automated).

This clip offers a great opportunity for tuning and re-work after the assembly of the screening cover. Thickness of the screening cover can be within the range of 0.18 to 0.25 mm. This clip can be supplied on reels of 15,000 pieces.

Please note : The tiny clip takes up 25% less space than the medium clip

Delivery on reel



We can deliver our tiny clip (TC) for mounting PCB shielding cans on reels of 15,000 pieces.

Features

- Enhance your productivity by SMT process
- Seamless corners for ultra high EMI shielding effect
- Reduce shield clip numbers to down the costs

Benefits

- Mass production
- Easy insertion and removal
- Convenient for re-work
- EU-RoHS Compliant, Pb Halogen free
- Also available in 90 version for seamless corners and high shielding effectiveness
- For mobile phones, MP3, PDA, navigation systems, internet repeaters, walkie talkies and much more...

Technical specifications

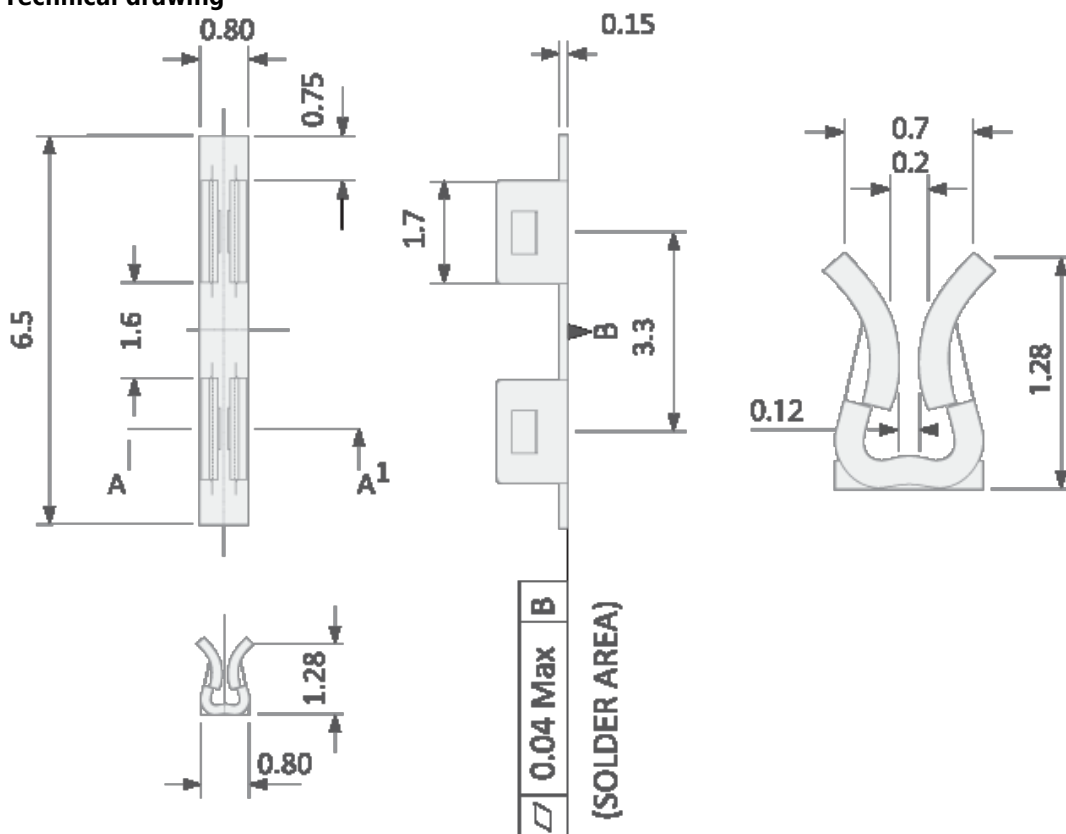


Tiny clip for attaching PCB shielding cans to the PCB

PCB shield mounting - Tiny clip (TC)

Material	SUS Alloy
Plating	Tin
Material thickness	0.15 mm
Thickness of shielding can	0.18 - 0.25 mm
Operating temp.	-40C 200C
Resistance	Max 0.05 ohm
Solderability	More than 50%
Insertion Force	Max. 1.0kgf at T=0.2mm
Removal Force	Min. 0.2kgf at T=0.2mm
Number of repetition insertion	Max 25 times
Environment	Eu-RoHS Compliant, Pb Halogen Free
Thickness of solder cream(Recommend)	0.06mm 0.12mm
Quantity / Reel	15,000 / Reel
Finish	Tin
Packaging Format	Reel and Pieces

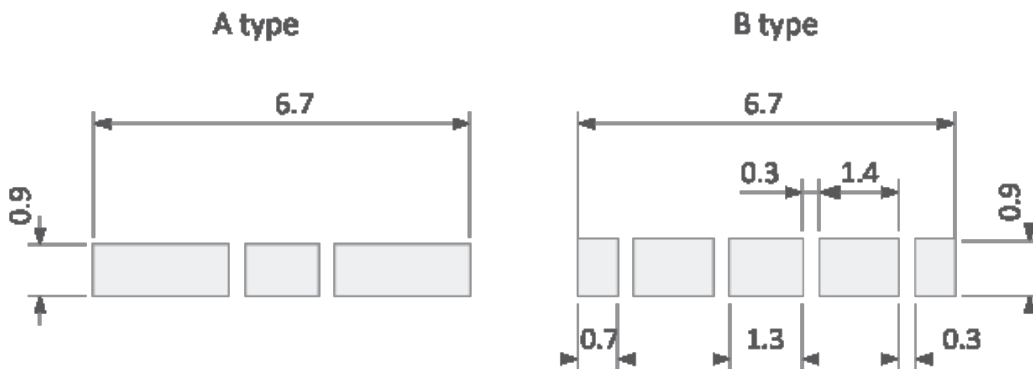
Technical drawing



Tiny clip for PCB shielding cans technical drawing

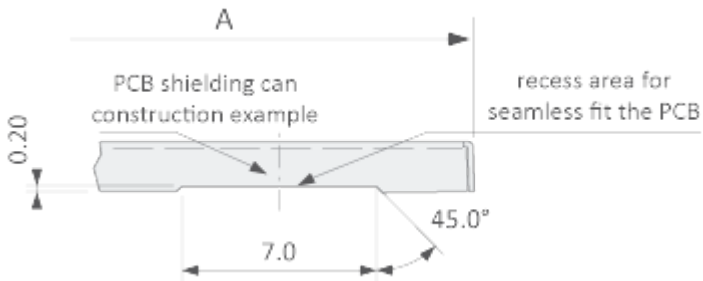
Recommended solder land

PCB shield mounting - Tiny clip (TC)



The above drawing shows the recommended solder land. Both type A or type B can be used with the tiny clip (TC).

Recess area



When the PCB shielding can need to be attached seamless to the board a recess area need to be made in the PCB shielding can (see drawing above)

Part number

TC

PCB shield mounting - Tiny corner clip (TCC)

This clip is to be mounted onto the surface of a PCB (SMT) and offers a fast solution for assembling RFI/EMI shielding cans to PCB's. This clip eliminates the need for through holes and post reflow operations on the PCB. For best performance, the shielding clip needs to be mounted on the PCB ground pattern. This can be done by hand or by vacuum pick-up nozzle (automated).

This clip offers a great opportunity for tuning and re-work after the assembly of the screening cover. Thickness of the screening cover can be within the range of 0.18 to 0.25 mm. This clip can be supplied on reels of 5,000 pieces.

The outer wing of the tiny corner clip is higher than the inner wing for easy insertion of the shielding can.

Features

- Enhance your productivity by SMT process
- Seamless corners for ultra high EMI shielding effect
- Reduce shield clip numbers to down the costs
- TCC has a 90 angle, to make insertion of shielding can easier

Benefits

- Mass production
- Easy insertion and removal
- Convenient for re-work
- EU-RoHS Compliant, Pb Halogen free
- For mobile phones, MP3, PDA, navigation systems, Wifi repeaters, walkie talkies and much more...

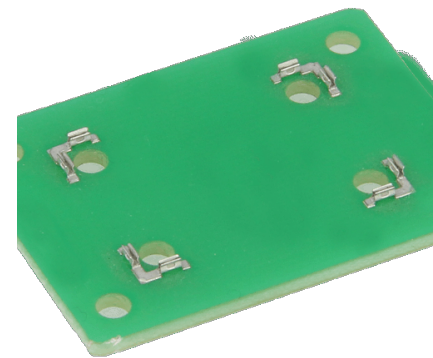
Technical specifications

Material	SUS Alloy
Plating	Tin
Material thickness	0.15 mm
Thickness of shielding can	0.18 - 0.25 mm
Operating temp.	-40C 200C
Resistance	Max 0.05 ohm
Solderability	More than 50%
Insertion Force	Max. 1.0kgf at T=0.2mm
Removal Force	Min. 0.2kgf at T=0.2mm
Number of repetition insertion	Max 25 times
Environment	Eu-RoHS Compliant, Pb Halogen Free
Thickness of soldering paste (Recommended)	0.06mm 0.12mm
Quantity / Reel	6000 /Reel
Finish	Tin
Packaging Format	Reel and Pieces

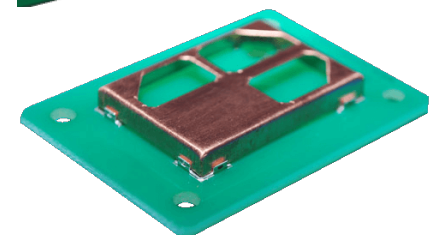
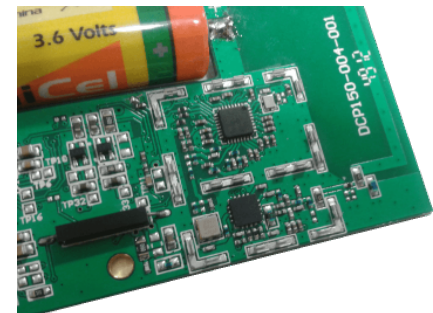
Technical drawing



RF shielding clip | Tiny corner clip for PCB shielding cans

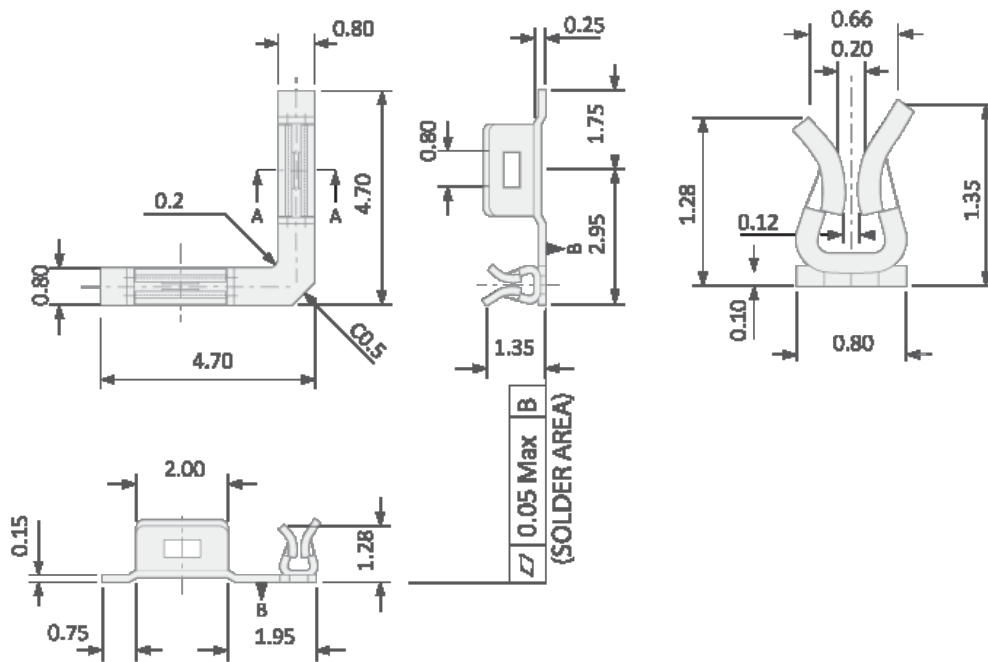


Tiny corner clip for mounting a EMI shielding can on PCB's

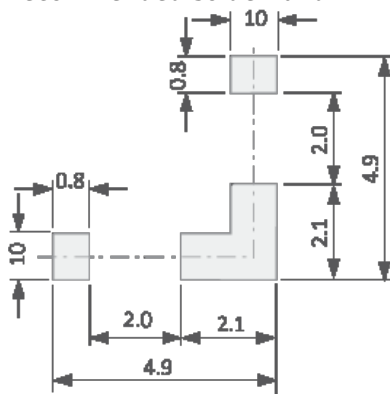


Example image of TCC with an PCB shielding can from our 1500 series PCB shielding cans

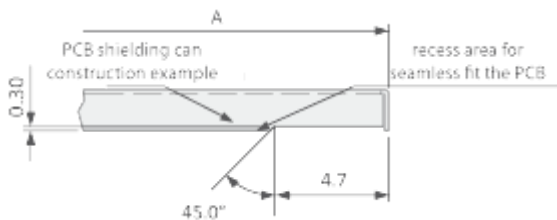
PCB shield mounting - Tiny corner clip (TCC)



Recommended solder land

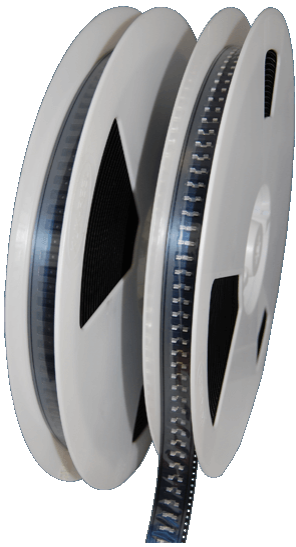


Recess area



Delevery on reel

PCB shield mounting - Tiny corner clip (TCC)



We can deliver our tiny corner clip (TCC) for mounting PCB shielding cans on reels of 5,000 pieces

Part number

TCC

PCB shield mounting - Ultra tiny clip (UTC)

This clip is to be mounted onto the surface of a PCB (SMT) and offers a fast solution for assembling RFI/EMI shielding cans to PCB's. This clip eliminates the need for through holes and post reflow operations on the PCB. For best performance, the shielding clip needs to be mounted on the PCB ground pattern. This can be done by hand or by vacuum pick-up nozzle (automated).

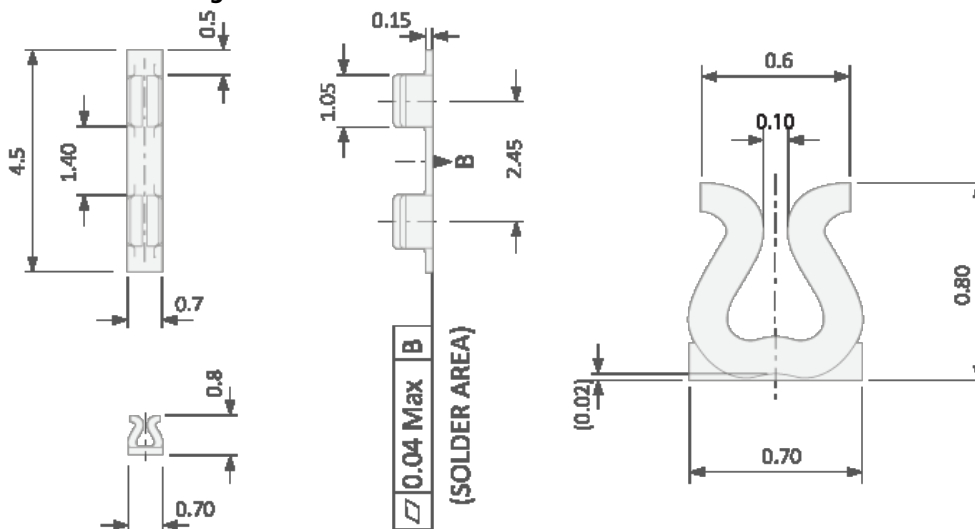
This clip offers a great opportunity for tuning and re-work after the assembly of the screening cover. Thickness of the screening cover can be up to 0,12 mm. This clip can be supplied on reels of 20,000 pieces.

The ultra tiny clip takes up 35% less space than the medium clip

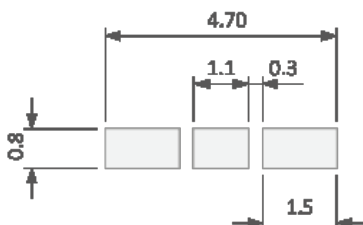


RF shielding clip | Ultra tiny clip for PCB shielding cans

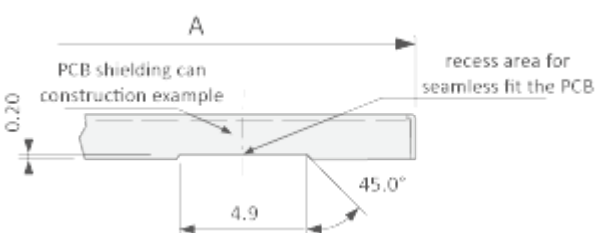
Technical drawing



Recommended solder land

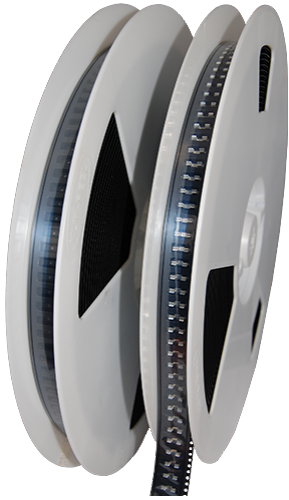


Recess area



PCB shield mounting - Ultra tiny clip (UTC)

Reels



We can deliver our Ultra tiny clip (UTC) for mounting PCB shielding cans on reels of 20,000 pieces.

Features

- Enhance your productivity by SMT process
- Seamless corners for ultra high EMI shielding effect
- Reduce shield clip numbers to down the costs

Benefits

- Mass production
- Easy insertion and removal
- Convenient for re-work
- EU-Roh Compliant, Pb Halogen free
- Also available in 90 version for seamless corners and high shielding effectiveness
- For mobile phones, MP3, PDA, navigation systems, Wifi repeaters, walkie talkies and much more...

Technical specifications

Material	SUS Alloy
Plating	Tin
Material thickness	0.15 mm
Thickness of shielding can	0.12 mm till 0.2 mm
Operating temp.	-40C 200C
Resistance	Max 0.05 ohm
Solderability	More than 50%
Insertion Force	Max. 1.0kgf at T=0.2mm
Removal Force	Min. 0.2kgf at T=0.2mm
Number of repetition insertion	Max 25 times
Environment	Eu-RoHS Compliant, Pb Halogen Free
Thickness of soldering paste (Recommended)	0.06mm 0.12mm
Quantity / Reel	20000 /Reel
Finish	Tin
Packaging Format	Reel and Pieces

Product

UTC

UTC : Ultra tiny clip

Produkt anfragen

PCB shield mounting - Ultra tiny corner clip (UTCC)

This clip is to be mounted onto the surface of a PCB (SMT) and offers a fast solution for assembling RFI/EMI shielding cans to PCB's. This clip eliminates the need for through holes and post reflow operations on the PCB. For best performance, the shielding clip needs to be mounted on the PCB ground pattern. This can be done by hand or by vacuum pick-up nozzle (automated).

This clip offers a great opportunity for tuning and re-work after the assembly of the screening cover. Thickness of the screening cover can be up to 0,12 mm. This clip can be supplied on reels of 6,000 pieces.

Features

- Enhance your productivity by SMT process
- Seamless corners for ultra high EMI shielding effect
- Reduce shield clip numbers to down the costs
- UTCC has a 90 angle, to make insertion of shielding can easier

Benefits

- Mass production
- Easy insertion and removal
- Convenient for re-work
- EU-RoHS Compliant, Pb Halogen free
- Also available in straight version without corner (see Ultra tiny clip (UTC))
- For mobile phones, MP3, PDA, navigation systems, Wifi repeaters, walkie talkies and much more...

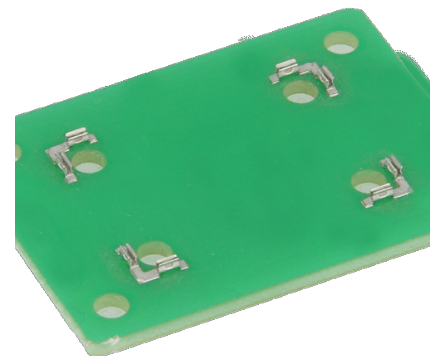
Properties

Material	SUS Alloy
Plating	Tin
Material thickness	0.15 mm
Thickness of shielding can	0.12 mm
Operating temp.	-40C 200C
Resistance	Max 0.05ohm
Solderability	More than 50%
Insertion Force	Max. 1.0kgf at T=0.15mm
Removal Force	Min. 0.2kgf at T=0.15mm
Number of repetition insertion	Max 25 times
Environment	Eu-RoHS Compliant, Pb Halogen Free
Thickness of soldering paste (Recommended)	0.06mm 0.1mm
Quantity / Reel	6000 ea/Reel
Finish	Tin
Packaging Forma	Reel and Pieces

Technical drawing



Example image of UTCC, Ultra tiny corner clip. (Note : this is a greatly enlarged photo)

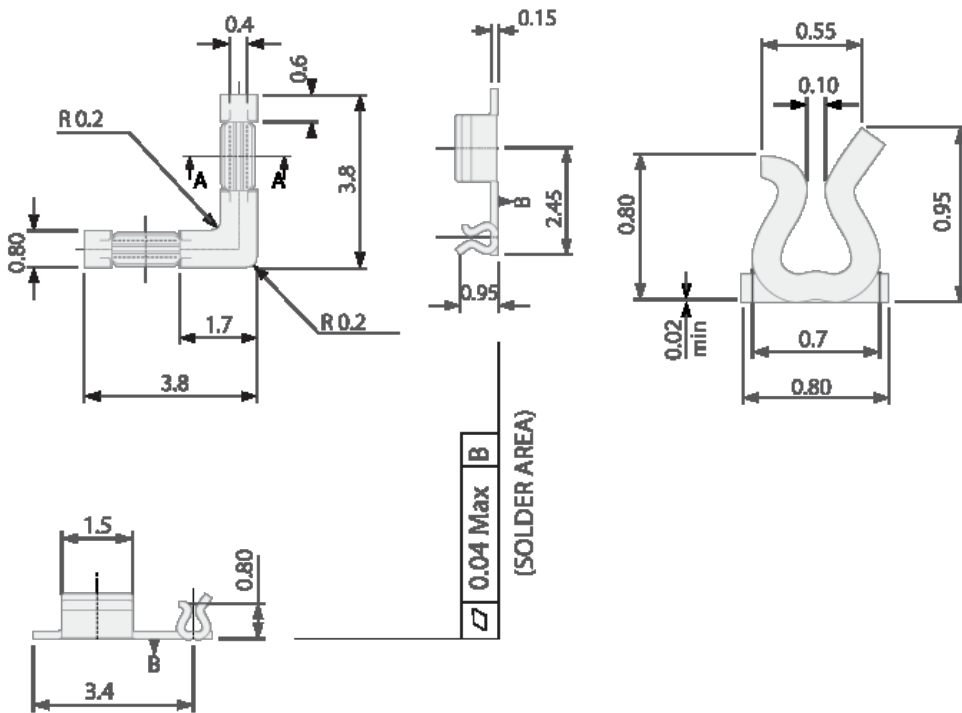


Example depiction of how the UTCC is mounted on the surface of the PCB



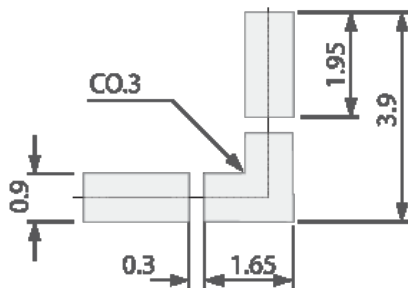
On this picture you see that the UTCC is even smaller than a needle

PCB shield mounting - Ultra tiny corner clip (UTCC)

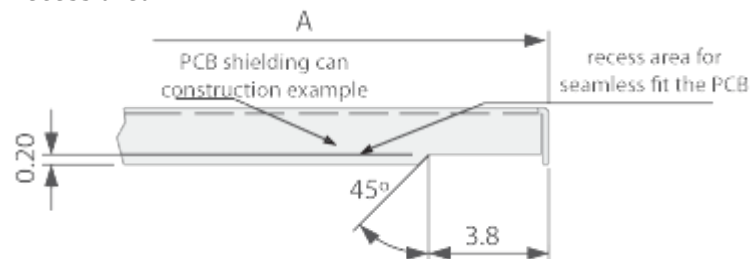


RF shielding clip | Ultra tiny corner clip for PCB shielding cans

Recommended solder land



Recess area



Delivery on reel

PCB shield mounting - Ultra tiny corner clip (UTCC)



We can deliver our Ultra tiny corner clip (UTCC) for mounting PCB shielding cans on reels of 6,000 pieces

Product

UTCC

UTCC : Ultra tiny
corner clip