

## MPSB-50-40-40 Medium performance shielding box

The MPSB-50-40-40 Medium performance shielding box is designed for medium shielding performance of around 80 db and keeping contact with the device under investigation.

The box is also equipped with shielded gloves so you can use and operate the appliances inside the box, without having to open the box and thus retains the shield.

By using the built-in LED lighting, it is possible to have a good view on the device and your hands inside the box.

### Quick details

Shielding effect: 60dB-80dB

Frequency(GHz): 2.4GHz-5.8GHz.

Work size(mm): 500(W)\*400(D)\*406(H)).

### Technical details

#### MPSB-50-40-40 specifications:

|                        |  |
|------------------------|--|
| Working frequency(GHz) | 2.4GHz-5.8GHz                                      |
| Shielding effect       | 60dB   |
| Interface type         | AC*2+DC*3+USB*2+RJ45+RS232                         |
| Working temperature(C) | normal work  |
| Working Dimensions(mm) | 500(W)*400(D)*406(H)                               |
| Outer Dimensions(mm)   | 547(W)*447(D)*438(H)                               |
| Weight(kg)             | 36   |
| Appearance of color    | computer grey (according to customer requirements) |

### Technical drawing

At the moment there is no technical drawing available. This will be added as soon as possible on this page.

### Gas springs

The shielded box is equipped with gas springs that makes opening and closing the box easy.



*The opening and closing of the shielded box is very easy by the applied gas suspension.*



*MPSB 50-40-40 Medium performance shielded box front view*



*MPSB 50-40-40 Medium performance shielded box back view*



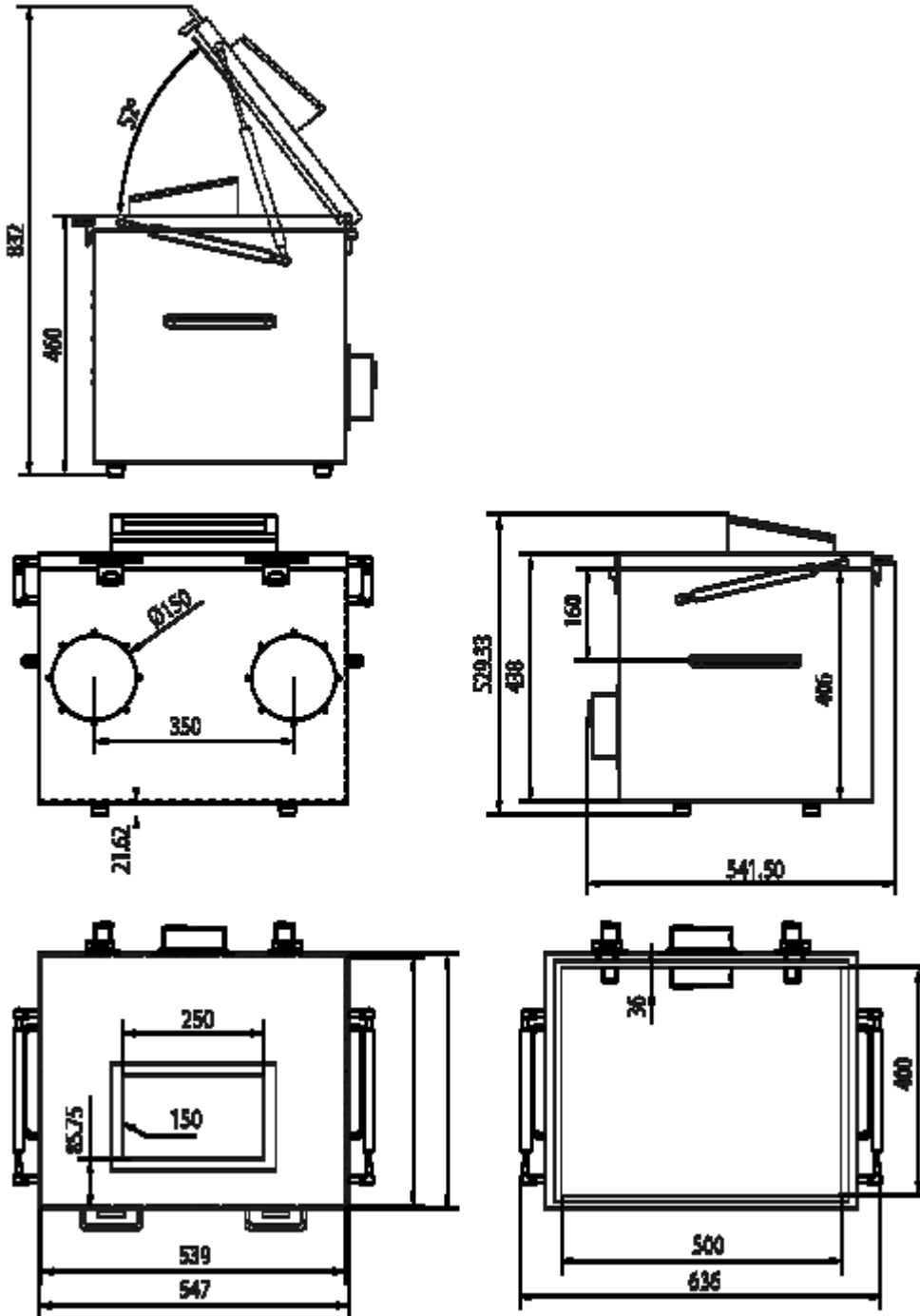
*MPSB 50-40-40 Medium performance shielded box inside view*



*MPSB 50-40-40 Medium performance shielded box inside view*

## MPSB-50-40-40 Medium performance shielding box

Technical drawing



MPSB-50-40-40

Partnumber / Ordercode:

MPSB-50-40-40