

High-performance EMI/RF-shielded box

This EMI/RFI-shielded box has up to 120dB reduction of RF signals up to 5 GHz. This makes the shielded box ideal for testing cellular handsets, RFID, Bluetooth, Zigbee, WiMax, WLAN or similar wireless devices. The box can be constructed in any size required.

Thanks to its mobility, the box is well suited for forensics in cases where the current state of an electronic device needs to be frozen by blocking all wireless contact with the outside world.

By default this box comes with 10 shielded SMA penetrations. Many other shielded conduits are available on request, or they may optionally be added later to the filter plate at the rear of the box.

Applications

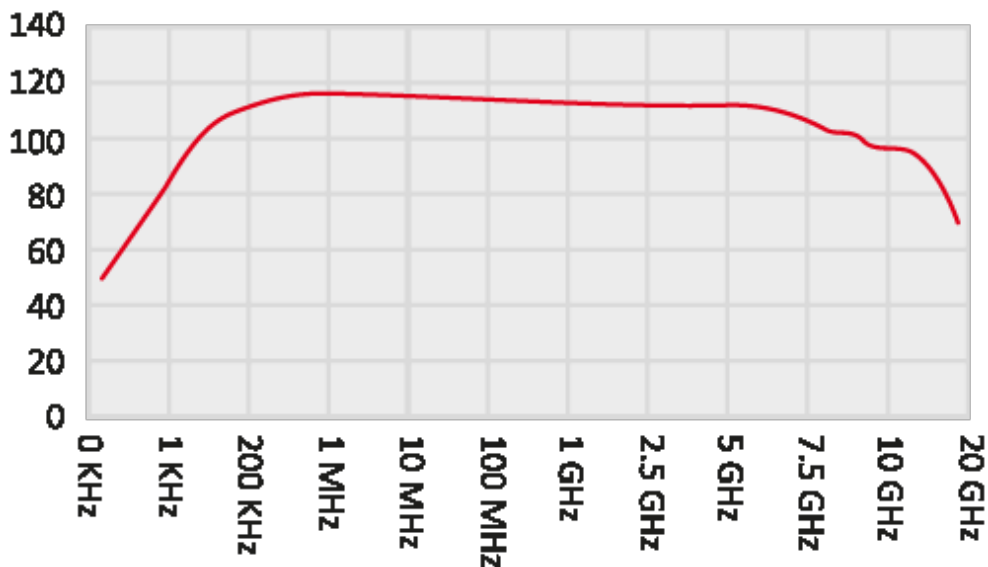
- Digital forensics
- Wireless testing
- RD
- EMC Testing

Options (on request)

The box can be equipped with shielded power filters for a power connection to the box while all wireless signals remain blocked. In addition the box can be equipped with any or all of the following options:

- Shielded ventilation panels for heat transfer
- Shielded window to maintain visual contact with the devices inside
- Coaxial feed-throughs / signal filters
- Ethernet connection

Shielding performance (dB)

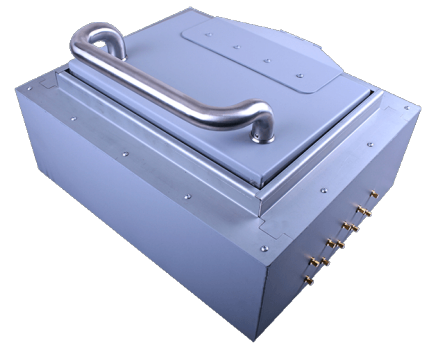


Shielded box, shielding performance

Values are measured under laboratory conditions. In other situations results may differ; please read our Guarantee.

Dimensions

Inside: 280x390x200/160mm
Other sizes on request



High-performance RF-shielded box closed

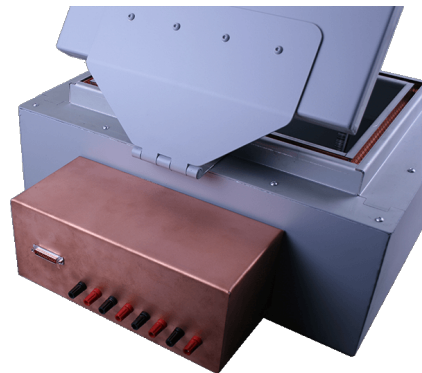


High-performance RF-shielded box open



By default the box is provided with a filter plate at the rear of the box, to optionally add one or more filters immediately or later on. In the picture above this plate has not yet been installed

High-performance EMI/RF-shielded box

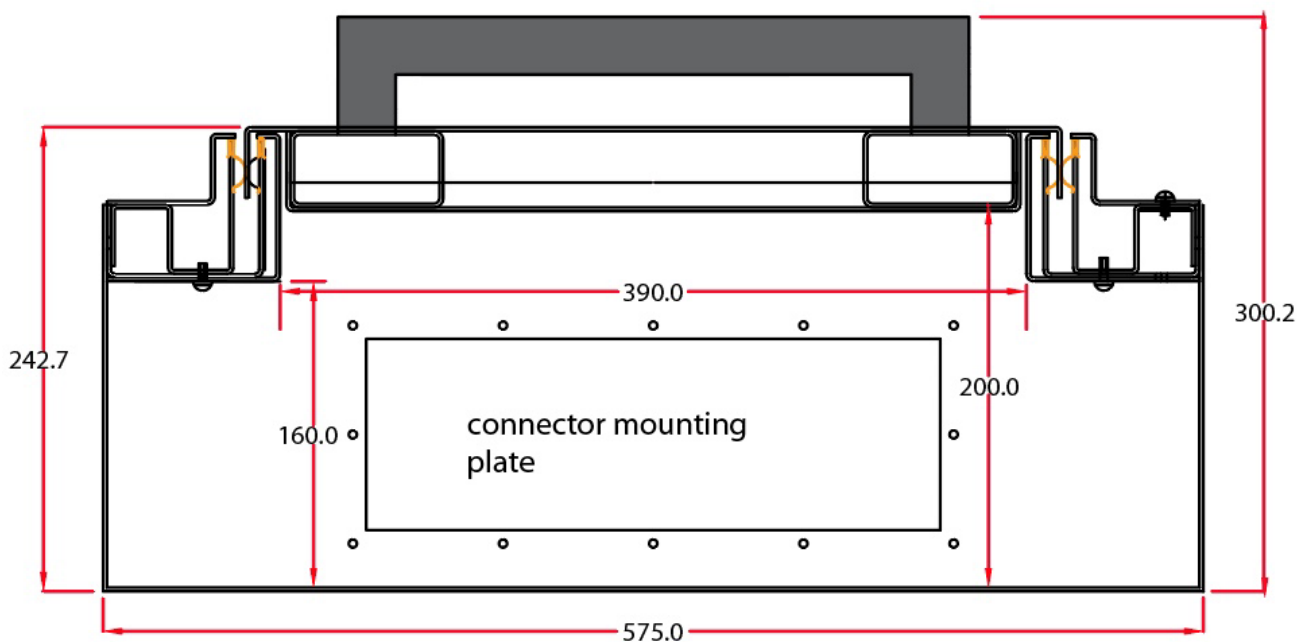


Shielded box equipped with a filter customized for the client.

Technical drawings

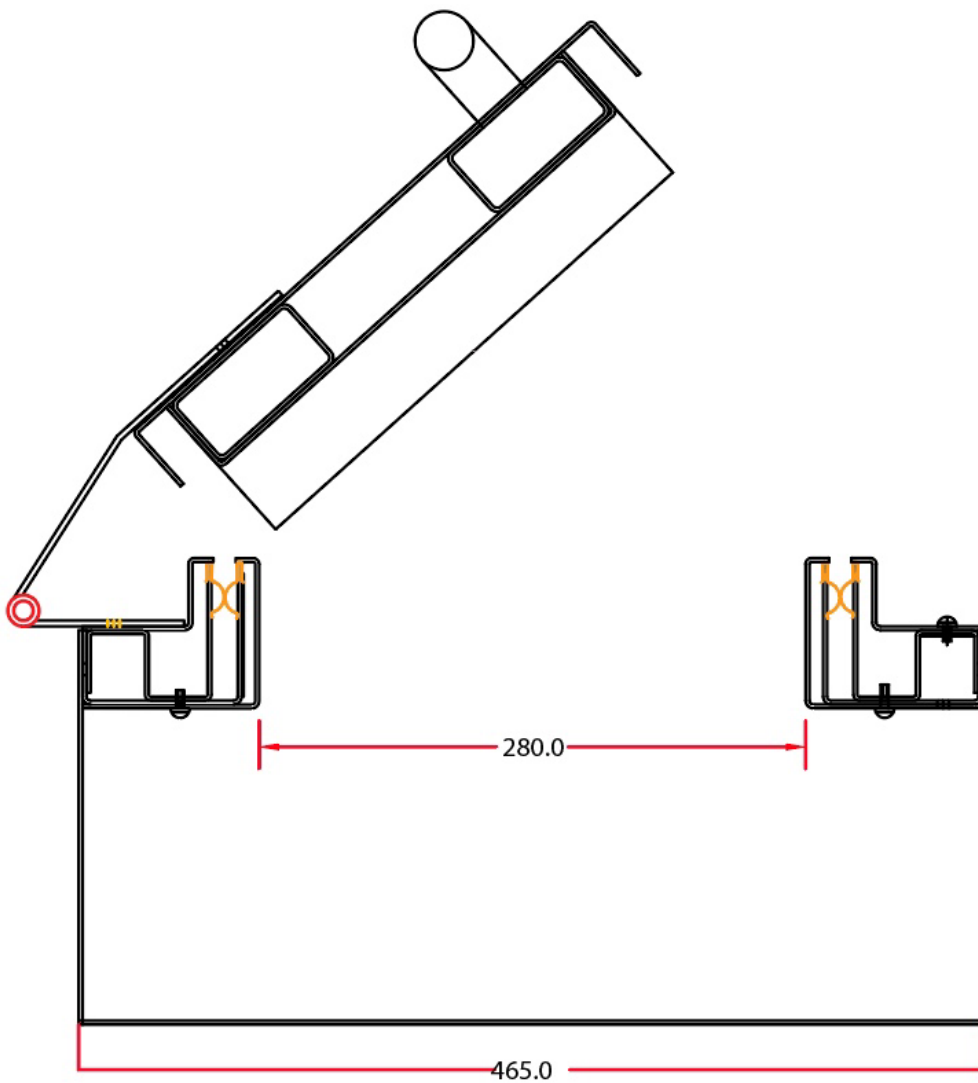
Outside dimensions: 575 x 465 x 300mm

Inside dimensions: 390 x 280 x 200/160



High-performance shielded box, technical drawing front view

High-performance EMI/RF-shielded box



High-performance shielded box, technical drawing side view

Product	Width (mm)	Length (mm)	Height (mm)
HP shielded box			
HP shielded box stands for High Performance shielded box	Specify the width of the available space on the inside of the box.	Specify the length of the available space on the inside of the box	Specify the height of the available space on the inside of the box