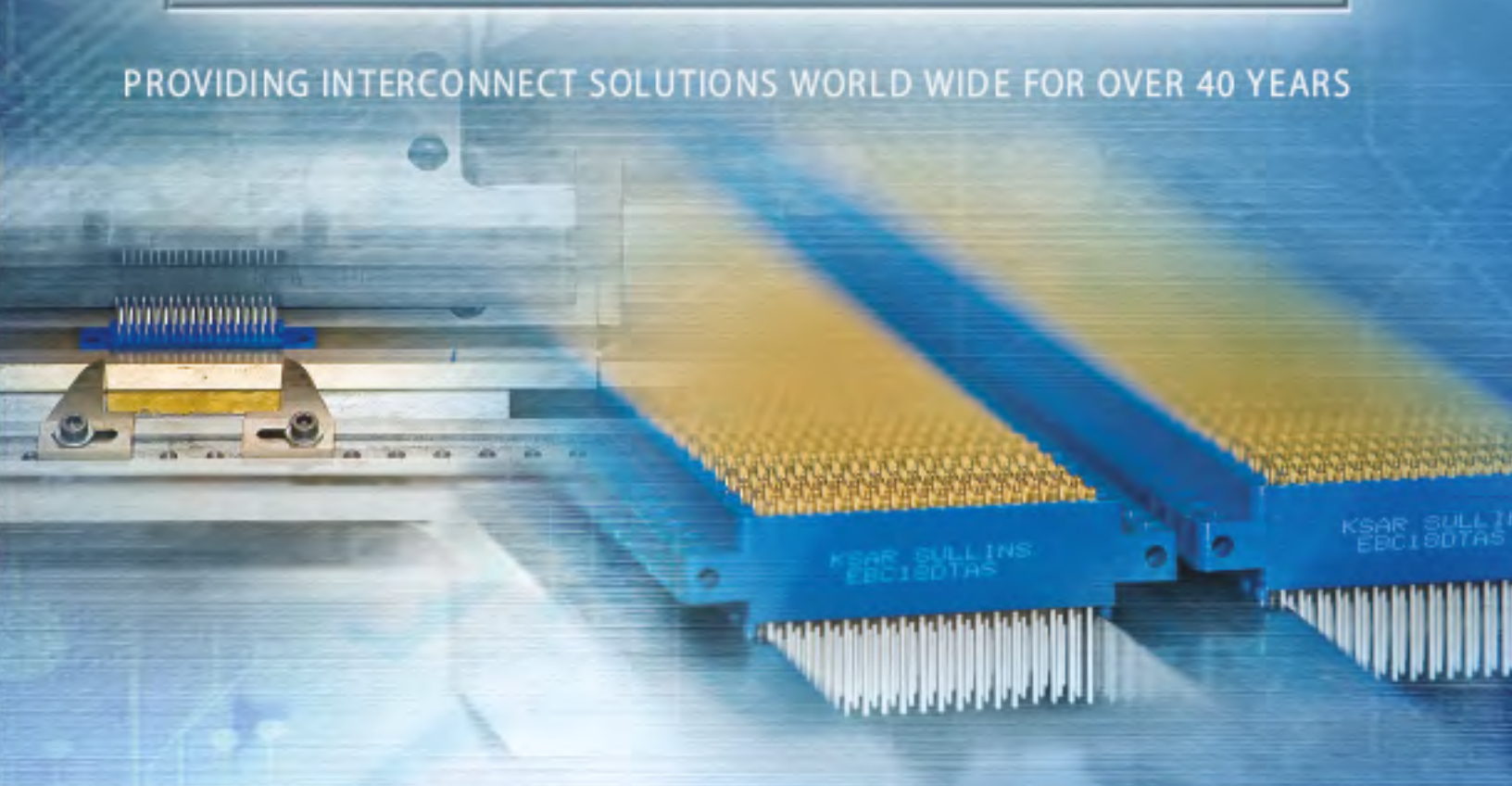




Infratron

PROVIDING INTERCONNECT SOLUTIONS WORLD WIDE FOR OVER 40 YEARS



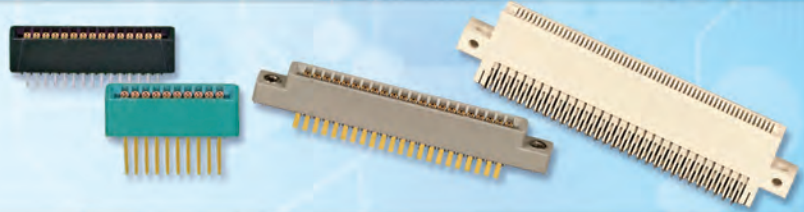
Board-to-socket

Test Sockets



Board-to-board

Hi-Temp Card Edge Connectors



Board-to-board

Hi-Density Card Edge Connectors



Board-to-board

Card Edge Connectors



Board-to-board

Headers & Shunts



Board-to-cable

IDC Sockets & Dip Plugs



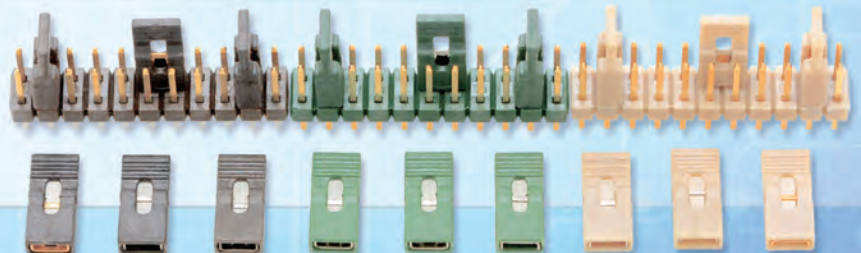
Board-to-wire/Wire-to-wire

Wire-to-board Connectors



Input/Output

Hi-Temp Headers & Shunts





Quality

- We want to exceed customer expectations at every level of service provided
- Continuous improvement on all aspects of operations
- ISO 9001 and AS9100 certified!
- RoHS compliance on all parts
- Quality control on all raw materials and finished parts based on Statistical Process Control (SPC) methods



Product Development

- We offer the largest variety of card edge connectors
- Continuous research & development of new connectors to meet new and unique demands
- Hundreds of new product variations created every year



Speed & Flexibility

- Most order shipped within 5 business days
- Small orders never a problem
- Same-day response to customer inquiries and Request-for-Quote (RFQ)



Manufacturing

- In-house molding of various plastic materials, including thermoplastic, high temperature Polyamide and Polyphenylene Sulfide, etc
- Full range of precision machining tools to support quick tooling and automated production
- Quick change tools allow for small runs within production runs
- Automated systems to allow efficient product assembly



Custom Connector Solutions

- In-house design and custom molding capabilities to support quick turn-around time
- Extensive connector design expertise to assist with design analysis and prototype development
- Advanced connector design tools and quick prototyping for design simulation
- Modular tooling allows for quick switch from prototype to production



Global Sales & Services

- Partnerships with a network of strategically located distributors for more efficient global sales and services



TABLE OF CONTENTS

Card Edge

GENERAL SPECIFICATIONS	6
PART NUMBER OPTIONS	7

High Density Card Edge

1.00 mm [.039"] Contact Centers

15.49 mm [.610"] Profile, Dip Solder/Card Extender/SMT.....	8
21.84 mm [.860"] Profile, Right Angle.....	10
11.25 mm [.443"] Profile, PCI Express, Dip Solder.....	12
10.25 mm [.404"] Profile, PCI Express, Card Extender for Straddle Mount.....	14
10.90 mm [.429"] Profile, PCI Express, SMT with Posts.....	16

.050" [1.27 mm] Contact Centers

.488" [12.40 mm] Profile, Ultra Thin, Dip Solder/Card Extender/SMT.....	18
.610" [15.49 mm] Profile, Dip Solder/Card Extender/SMT for .031" [0.79 mm], .062" [1.57 mm] or .093" [2.36 mm] Mating PCB.....	20
.915" [23.24 mm] Profile, Right Angle for .031" [0.79 mm], .062" [1.57 mm] or .093" [2.36 mm] Mating PCB.....	22
.610" [15.49 mm] Profile, [MCA] Dip Solder/Card Extender/SMT.....	24
.915" [23.24 mm] Profile, [MCA] Right Angle.....	26
.610" [15.49 mm] Profile, [PCI] Dip Solder/Card Extender/SMT.....	28
.915" [23.24 mm] Profile, [PCI] Right Angle.....	30

Bi-level Card Edge

Capability for .050" [1.27 mm] or .100" [2.54 mm] Contact Centers

High Density, Card Extender, Dip Solder .062" [1.57 mm] or .093" [2.36 mm] Mating PCB.....	32
High Density, Right Angle for .062" [1.57 mm] or .093" [2.36 mm] Mating PCB.....	34

Capability for .078" [1.98 mm] or .156" [3.96 mm] Contact Centers

High Density, Right Angle for .062" [1.57 mm] Mating PCB.....	36
---	----

Dual Edge

.100" [2.54 mm] Contact Centers.....	38
.156" [3.96 mm] Contact Centers.....	40

Male Card Edge

1.00 mm [.039"] Contact Centers, Dip Solder/Card Extender.....	42
.050" [1.27 mm] Contact Centers, Dip Solder/Card Extender.....	44
.100" [2.54 mm] Contact Centers, Dip Solder/Wire Wrap/Right Angle/Card Extender.....	46
.156" [3.96 mm] Contact Centers, Dip Solder/Wire Wrap/Right Angle/Card Extender.....	48

Card Edge

Female Card Edge

.100" [2.54 mm] Contact Centers

.431" [10.95 mm] Profile, Dip Solder/Eyelet/Right Angle for .062" [1.57 mm] or .031" [0.79 mm] Mating PCB.....50

.431" [10.95 mm] Profile, Dip Solder/Eyelet/Right Angle for .093" [2.36 mm] Mating PCB.....52

.610" [15.49 mm] Profile, Dip Solder/Wire Wrap/Right Angle/Card Extender for .062" [1.57 mm] Mating PCB.....54

.610" [15.49 mm] Profile, .400" [10.16 mm] Wide Body, Dip Solder/Wire Wrap/Right Angle/Card Extender
for .062" [1.57 mm] or .093" [2.36 mm] Mating PCB.....56

.610" [15.49 mm] Profile, .470" [11.94 mm] Wide Body, Dip Solder/Wire Wrap/Right Angle/Card Extender
for .093" [2.36 mm] or .125" [3.18 mm] Mating PCB.....58

.610" [15.49 mm] Profile, [ISA] Dip Solder/Wire Wrap/Right Angle.....60

.690" [17.52 mm] Profile, Make Before Break Dip Solder/Card Extender/Right Angle.....62

.560" [14.22 mm] Profile, .400" [10.16 mm] Wide Body, Double Point Contact
Dip Solder/Wire Wrap/Right Angle/Card Extender.....64

.125" [3.18 mm] Contact Centers

.431" [10.95 mm] Profile, Dip Solder/Eyelet/Right Angle for .062" [1.57 mm] or .031" [0.79 mm] Mating PCB.....66

.610" [15.49 mm] Profile, Dip Solder/Wire Wrap/Right Angle/Card Extender for .062" [1.57 mm] Mating PCB.....68

.610" [15.49 mm] Profile, Dip Solder/Wire Wrap/Right Angle
for .093" [2.36 mm] or .125" [3.18 mm] Mating PCB.....70

.150" [3.81 mm] Contact Centers

.550" [13.97 mm] Profile, Dip Solder/Wire Wrap.....72

.156" [3.96 mm] Contact Centers

.431" [10.95 mm] Profile, Dip Solder/Eyelet/Right Angle.....74

.431" [10.95 mm] Profile, Special Body Configuration, Dip Solder/Eyelet/Right Angle.....76

.610" [15.49 mm] Profile, Dip Solder/Wire Wrap/Right Angle/Card Extender for .062" [1.57 mm] Mating PCB.....78

.610" [15.49 mm] Profile, Dip Solder/Wire Wrap/Right Angle for .093" [2.36 mm] or .125" [3.18 mm] Mating PCB.....80

.720" [18.29 mm] Profile, .045" [1.14 mm] square /.031" [0.79 mm] X .062" [1.57 mm] Wire Wrap.....82

Press Fit

.100" [2.54 mm] Contact Centers, .550" [13.97 mm] or .610" [15.49 mm] Profile.....84

.156" [3.96 mm] Contact Centers, .550" [13.97 mm] or .610" [15.49 mm] Profile.....86

TABLE OF CONTENTS

Headers

1.00 mm [.039"] Contact Centers

Male Headers, Straight/Right Angle/SMT.....	88
Female Headers, Straight/SMT.....	90
Male Shrouded Box Headers, Straight/SMT.....	92

.050" [1.27 mm] Contact Centers

Male Headers, Straight/Right Angle/SMT.....	94
Female Headers, Straight/Right Angle/SMT.....	96
Female Headers, Top/Bottom Entry SMT.....	98
Male Shrouded Box Headers, Straight/Right Angle/SMT.....	100
Female Headers, SMT with Posts.....	101
Male Shrouded Box Headers, Straight/Right Angle/SMT, .100" [2.54 mm] Row Spacing.....	102
IDC Socket, .100" [2.54 mm] Row Spacing.....	103

.079" [2.00 mm] Contact Centers

Male Headers, Straight/Right Angle/SMT.....	104
Female Headers, Straight/Right Angle/SMT.....	106
Female Headers, Top/Bottom Entry SMT.....	108
Male Shrouded Box Headers, Straight/Right Angle/SMT.....	110
IDC Socket.....	111

.100" [2.54 mm] Contact Centers

Male Breakaway Headers, Straight/Right Angle/SMT.....	112
Male Breakaway Headers, Straight	114
Male Breakaway Headers, Right Angle/SMT.....	116
Female Headers, Straight/Right Angle/SMT.....	118
Female Headers, Top/Bottom Entry SMT.....	120
Male Shrouded Box Headers, Straight/Right Angle/SMT.....	122
Female Headers, Straight/Right Angle.....	123
IDC Socket, Insulation Displacement With or Without Strain Relief.....	124
IDC Dip Plug, Straight.....	125

Jumpers

.050" [1.27 mm] Contact Centers.....	126
.079" [2.00 mm] Contact Centers.....	127
.100" [2.54 mm] Contact Centers.....	128

Wafers

.079" [2.00 mm] Contact Centers

SWT201, SWH201, SWR201 Series, Crimp Terminal, Housing, Straight/Right Angle/SMT.....	130 - 133
SWT204, SWH204, SWR204 Series, Crimp Terminal, Housing, Straight/Right Angle.....	134 - 137

.100" [2.54 mm] Contact Centers

SWT25X, SWH25X, SWR25X Series, Crimp Terminal, Housing, Straight/Right Angle.....	138 - 141
---	-----------

Micro Plastics Brand Card Edge

GENERAL SPECIFICATIONS.....142
 PART NUMBER OPTIONS.....143

Female Card Edge, .100" [2.54 mm] Contact Centers

.431" [10.95 mm] Profile, Dip Solder.....144
 .431" [10.95 mm] Profile, Card Extender.....146
 .431" [10.95 mm] Profile, Eyelet.....148
 .610" [15.49 mm] Profile, Wire Wrap & Dip Solder.....150
 .550" [13.97 mm] Profile, .025" [0.64 mm] Square Card Extender.....152
 .610" [15.49 mm] Profile, Right Angle.....154
 .610" [15.49 mm] Profile, Special 18/31 with Barrier, Dip Solder/Wire Wrap, [ISA].....156

Female Card Edge, .125" [3.18 mm] Contact Centers

.431" [10.95 mm] Profile, Dip Solder.....158
 .431" [10.95 mm] Profile, Card Extender.....160
 .431" [10.95 mm] Profile, Eyelet.....162
 .610" [15.49 mm] Profile, Wire Wrap & Dip Solder.....164
 .550" [13.97 mm] Profile, .025" [0.64 mm] Square Card Extender.....166
 .610" [15.49 mm] Profile, Right Angle.....168

Female Card Edge, .150" [3.81 mm] Contact Centers

.550" [13.97 mm] Profile, .025" [0.64 mm] Square & .025" [0.64 mm] Round Dip Solder.....170

Female Card Edge, .156" [3.96 mm] Contact Centers

.431" [10.95 mm] Profile, Dip Solder.....172
 .431" [10.95 mm] Profile, Card Extender.....174
 .431" [10.95 mm] Profile, Eyelet.....176
 .610" [15.49 mm] Profile, Wire Wrap & Dip Solder.....178
 .550" [13.97 mm] Profile, .025" [0.64 mm] Square Card Extender.....180
 .610" [15.49 mm] Profile, Right Angle.....182
 .720" [18.29 mm] Profile, .045" [1.14 mm] Square Wire Wrap.....184

Polarizing Keys

Polarizing Keys, In Between Contact & In Contact.....186

Part Number Index.....187

GENERAL SPECIFICATIONS

RoHS COMPLIANT



All parts are currently manufactured with recommended materials to meet RoHS standards. All contacts have 50u" of nickel underplate, and a large selection of plating options: Pure tin matte, overall gold, or selective gold plating. For operating/processing temperature parameters, visit the RoHS section of our website, or refer to page 7 of this catalog.

MATERIALS (Consult factory for materials not shown.)

Insulator

- PBT, Valox*, Thermoplastic Polyester
- PPS, Ryton*, Polyphenylene Sulfide
- PEEK, Polyetheretherketone
- PA9T, High Temperature Polyamide

Contacts

- Phosphor Bronze (Standard)
- Beryllium Copper
- Beryllium Nickel
- Spinodal**
- Brass

Plating

Plating is Lead Free with Nickel Underplate, offered in Gold (Selective or Overall) and Pure Tin Overall.

UL/CUL File Number: E64287

CAGE CODE: 54453

ECCN: EAR99

INTERNATIONAL HARMONIZED CODE: 8536.69.4040

MECHANICAL

Board Insertion Force: 16 oz maximum per contact pair using .062" [1.57 mm] thick steel test blade.

Board Withdrawal Force: 1 oz minimum per contact pair using .062" [1.57 mm] thick steel test blade.

Special Insertion/Withdrawal forces available upon request.

ELECTRICAL

Insulation Resistance: 5,000 Megohms

Contact Centers: .039" [1 mm] .050" [1.27 mm] .100" [2.54 mm] .125" [3.18 mm] .150" [3.81 mm] .156" [3.96 mm]

Operating Voltage: 225 VAC 300 VAC 700 VAC 750 VAC 850 VAC 950 VAC

DWV: 675 VAC 900 VAC 2100 VAC 2250 VAC 2550 VAC 2850 VAC

Current Rating: 1 to 5 Amp per contact

Contact Resistance: 30 milli Ohms maximum at rated current (May vary per product series***)

ENVIRONMENTAL

Solvent resistance: Perchloroethylene, Freon 113, Freon 11, Trichloroethylene

Operating Temperature:	PBT	-65°C to +130°C	Phosphor Bronze	-65°C to +125°C
	PPS	-65°C to +200/220°C***	Beryllium Copper	-65°C to +150°C
	PA9T	-65°C to +150°C	Spinodal**	-65°C to +200°C
	PEEK	-65°C to +250°C***	Beryllium Nickel***	-65°C to +300°C

(Continuous temperatures, higher for short duration. Contact factory for details.)

* Or equivalent

** Consult factory for special soldering guidelines.

*** Consult factory for more details.

PART NUMBER OPTIONS

E B M 43 D R T H - Sxxx

MATERIALS (Insulator/Contact)

- E = PBT & Phosphor Bronze
Operating Temperature: -65°C To +125°C
Processing Temperature: Wave only
- R = PPS & Phosphor Bronze
Operating Temperature: -65°C To +125°C
Processing Temperature: 260°C Max. For 20 Sec.
- G = PA9T & Phosphor Bronze
Operating Temperature: -65°C To +125°C
Processing Temperature: 260°C Max. For 20 Sec.
- H = PBT & Beryllium Copper
Operating Temperature: -65°C To +125°C
Processing Temperature: Wave only
- A = PPS & Beryllium Copper
Operating Temperature: -65°C To +150°C
Processing Temperature: 260°C Max. For 20 Sec.
- J = PA9T & Beryllium Copper
Operating Temperature: -65°C To +150°C
Processing Temperature: 260°C Max. For 20 Sec.
- M = White PA9T & Beryllium Copper
Operating Temperature: -65°C To +150°C
Processing Temperature: 260°C Max. For 20 Sec.
- T = PPS & Beryllium Copper (Special, Consult Factory)
Operating Temperature: -65°C To +175°C
Processing Temperature: 260°C Max. For 20 Sec.
- *F = PPS & Spinodal** (Consult Factory)
Operating Temperature: -65°C To +200°C
- *C = PPS & Beryllium Nickel (Consult Factory)
Operating Temperature: -65°C To +200°C
Processing Temperature: 260°C Max. For 20 Sec.
- W = PEEK & Beryllium Nickel (Consult Factory)
Operating Temperature: -65°C To +250°C
Processing Temperature: 260°C Max. For 20 Sec.
(Available with 'M' plating only.)

*Available with overall gold plating (S or M) only.
**Consult factory for special soldering guidelines.

CONTACT FINISH - RoHS Compliant

All platings are Lead Free and have .000050" Nickel underplate

Contact Surface	Termination
B = .000010" Gold	.000100" Pure Tin, Matte
C = .000030" Gold	.000100" Pure Tin, Matte
G = .000010" Gold	.000005" Gold
Y = .000030" Gold	.000005" Gold
Contact Surface	Overall Plating
S = .000010" Gold	.000010" Gold
M = .000030" Gold	.000010" Gold
E = .000100" Pure Tin, Matte	.000100" Pure Tin, Matte

Overall Tin only available in E, R & G material codes

CONTACT CENTERS

E = 1.00 mm [.039"]	C = .100" [2.54 mm]
B = .050" [1.27 mm]	A = .125" [3.18 mm]
K = .078" [1.98 mm]	J = .150" [3.81 mm]
*N = .079" [2.00 mm]	M = .156" [3.96 mm]

*Consult factory.

NUMBER OF CONTACT POSITIONS

See applicable specification page

READOUT

- D = Dual
- D = Dual Row/ Crimp to Center for Single Readout
- F = Dual Edge
- H = Half Loaded
- M = Male Card Edge

Registered Trademarks

Sabic Innovative Plastics: Valox
Phillips 66: Ryton
Gardner-Denver Co.: Wire Wrap
RTP Compounder: PEEK

MODIFICATION CODE (Consult Factory)
OMIT FOR STANDARD

MOUNTING STYLE

- H = Clearance Holes, .125" [3.18 mm] Diameter
- N = No Mounting
- S = Side Mounting, .125" [3.18 mm] Diameter
- I = #4-40 Threaded Insert
- A = #4-40 Threaded Insert in Side Holes
- F = Floating Bobbin
- W = .430" Ears, Flush Mounting, .125" [3.18 mm] Diameter
- D = .250" Ears, Flush Mounting, .125" [3.18 mm] Diameter
- P = Clearance Holes, .142" [3.61 mm] Diameter
- B = Open Card Slot
- X = .430" Ears, Flush Mounting, #4-40 Threaded Insert
- T = .250" Ears, Flush Mounting, #4-40 Threaded Insert
- V = .250" Ears, Flush, Side Mounting, #4-40 Threaded Insert
- Q = Straddle Mount
- Z = .250" Ears, Flush, Side Mounting, .125" [3.18 mm] Diameter
- R = Metal Board Lock

TERMINATION TYPE

Card Extender

- HR = .050" & 1 mm Contact Centers
- KR, KN, PN, PR = .025" [0.64 mm] Square Post

Dip Solder - High Profile

- RS = .025" [0.64 mm] Square Tail, Loop Bellows
- CS, PD, PF, PS, SC = .025" [0.64 mm] Square Tail, Hairpin Bellows
- CK, TK = .025" [0.64 mm] Round Tail, Loop Bellows
- CT, CW = .015" [0.38] X .025" [0.64] Tail, Hairpin Bellows
- HH = .050" & 1 mm [.039"] Contact Centers
- HL, HN = .050" Contact Centers
- KS, KD = .025" [0.64 mm] Square Post, Cantilever

Dip Solder - Low Profile

- SX, SU = Crimp to Center for Single Readout
- RT, RK, RY = .140" [3.56 mm] Row Spacing
- RX, RF, RU, RP = .200" [5.08 mm] Row Spacing
- RJ = .250" [6.35 mm] Row Spacing

Eyelet

- RE, TE, SE = Eyelet Tail

Press Fit

- | | |
|-----------------------------------|-----------------------------------|
| .200"[5.08 mm] Row Spacing | .100"[2.54 mm] Row Spacing |
| JB = .025" [0.64 mm] Sq. Post | JF = .025" [0.64 mm] Sq. Post |
| JC = .025" [0.64 mm] Sq. Post | JG = .025" [0.64 mm] Sq. Post |
| JW = .025" [0.64 mm] Sq. Post | JY = .025" [0.64 mm] Sq. Post |
| JX = .025" [0.64 mm] Sq. Post | JZ = .025" [0.64 mm] Sq. Post |

Right Angle

- TA, TB, TM = Loop Bellows
- CA, CB, CC, PU = Hairpin
- PB, PG, PE, PJ, PP = Hairpin
- KA, KE, KU, KJ = Cantilever
- HA, HB = .050" & 1 mm CC
- RA, SA = Full Bellows
- ET, EY = .100" CC Low Profile
- YH = .050" CC Thru Hole
- YR = .050" CC Card Extender
- YF = .050" CC SMT
- YY = .050" CC Right Angle
- YS = .050" CC Thru Hole

Surface Mount

- HF = Surface Mount, .050" & 1mm Contact Centers

Wire Wrap

- RM = .025" [0.64 mm] Square Post, Loop Bellows
- CM, MC, PM = .025" [0.64 mm] Square Post, Hairpin Bellows
- KK = .031" [0.79 mm] X .062" [1.58 mm] Post
- KL = .031" [0.79 mm] X .062" [1.58 mm] Post Twisted 90°
- KM = .025" [0.64 mm] Square Post, Cantilever
- WW = .045" [1.14 mm] Square Post

Bi-Level

- LR = Card Extender
- LT = Dip Solder
- KB = Right Angle

Dual Edge

- SL = Dual Edge

Male Card Edge

- MW, MS = Dip Solder
- MH = Stagger Dip Solder
- MR, MN = Card Extender
- MM = Wire Wrap
- MA, MD, MJ, MK, MV, & MB = Right Angle

See page 143 for Micro Plastics brand part number options. Specifications are subject to change without notice.

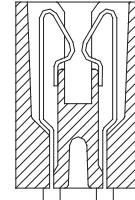
High Density Card Edge

1.00 mm [.039"] Contact Centers, 15.49 mm [.610"] Insulator Height, Dip Solder/Card Extender/SMT

SPECIFICATIONS

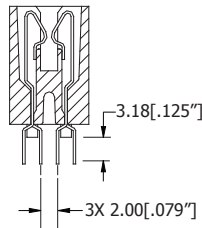
- Accommodates 1.57 mm ± 0.20 mm [.062" ± .008"] PC board
- PPS or PA9T insulator
- Molded-in key available
- 1 Amp current rating per contact for contacts fully energized
- Highly reliable high cycle hairpin bellow contacts
- UL Flammability Rating: 94V-0

READOUT

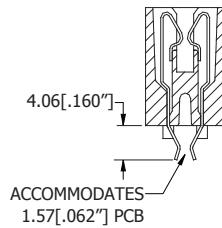


DUAL (D)

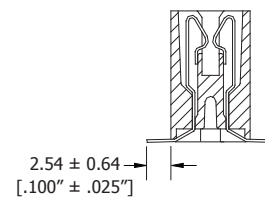
TERMINATION TYPE



STAGGERED DIP SOLDER (HH)

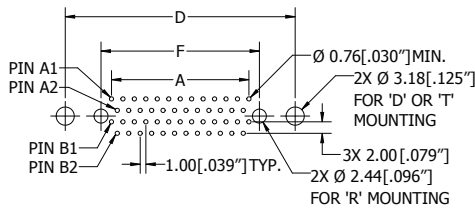


CARD EXTENDER (HR)

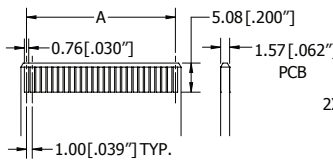


SURFACE MOUNT (HF)

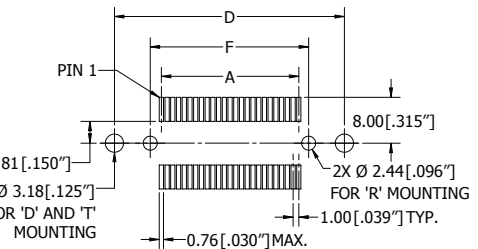
PCB LAYOUT



STAGGERED DIP SOLDER (HH)

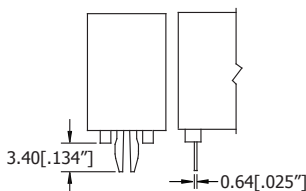


CARD EXTENDER (HR)

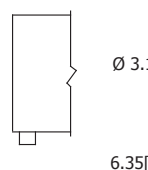


SURFACE MOUNT (HF)

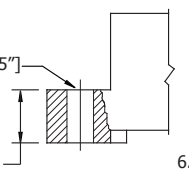
MOUNTING STYLE



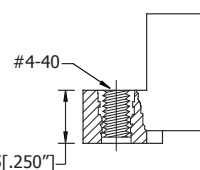
**BOARD LOCK (R)
(with no mounting ears)**



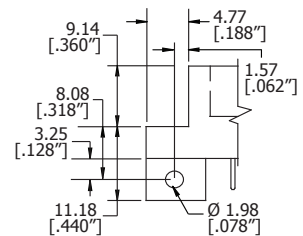
NO MOUNTING EARS (N)



FLUSH MOUNTING (D)



THREADED INSERT (T)



STRADDLE MOUNT (Q)

1.00 mm [.039"] Contact Centers, 15.49 mm [.610"] Insulator Height, Dip Solder/Card Extender/SMT

PART NUMBER OPTIONS

MATERIALS (INSULATOR/CONTACT)

- G = PA9T/Phosphor Bronze
R = PPS/Phosphor Bronze
J = PA9T/Beryllium Copper
A = PPS/Beryllium Copper
Refer to Page 7 for Operating/Processing Temperatures

CONTACT FINISH - RoHS Compliant
All platings are Lead Free and have .000050" Nickel underplate

Table with 2 columns: Contact Surface, Termination. Rows include B = .000010" Gold, C = .000030" Gold, and .000100" Pure Tin, Matte.

CONTACT CENTERS

E = 1.00 mm [.039"]

G B E 50 D HH D - Sxxx

MODIFICATION CODE (Consult Factory)
OMIT FOR STANDARD

MOUNTING STYLE (Opposite Page)

- D = Flush Mounting
N = No Mounting
R = Metal Board Locks (HH & HF Termination Only)
T = Flush Mounting, #4-40 Threaded Insert
Q = Straddle Mount (HR Termination Only)*

TERMINATION TYPE (Opposite Page)

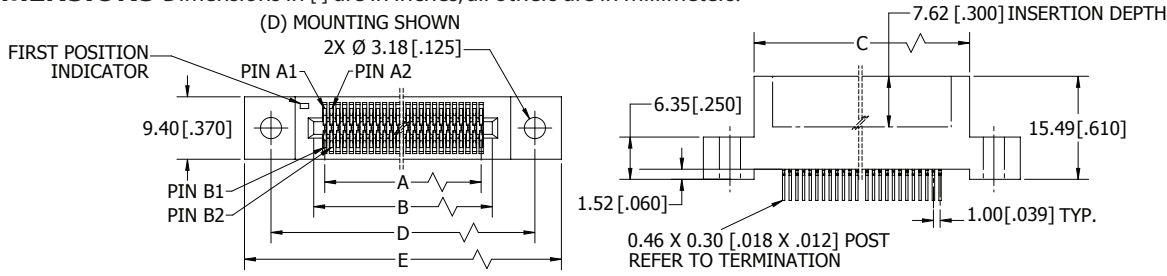
- HH = Staggered Dip Solder
HR = Card Extender
HF = Surface Mount

READOUT (Opposite Page)

D = Dual

NUMBER OF CONTACT POSITIONS
See Chart Below

DIMENSIONS Dimensions in [] are in inches, all others are in millimeters.



Large table with columns for POSITIONS/CONTACTS, MILLIMETERS (A±0.13, B±0.13, C±0.38, D±0.25, E±0.51, F±0.25), and INCHES (A±.005, B±.005, C±.015, D±.010, E±.020, F±.010). Rows list various contact counts from 02/04* to 50/100.

* Consult factory for availability.

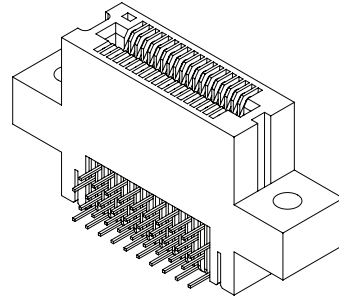
High Density Card Edge

High Density Card Edge

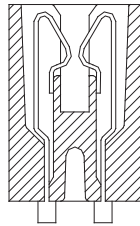
1.00 mm [.039"] Contact Centers, 21.84 mm [.860"] Insulator Height, Right Angle

SPECIFICATIONS

- Accommodates 1.57 mm ± 0.20 mm [.062" ± .008"] PC board
- PA9T or PPS insulator
- Molded-in key available
- High reliability/high cycle hairpin bellow contacts
- 1 Amp current rating per contact for contacts fully energized
- 150 grams normal force minimum
- UL Flammability Rating: 94V-0

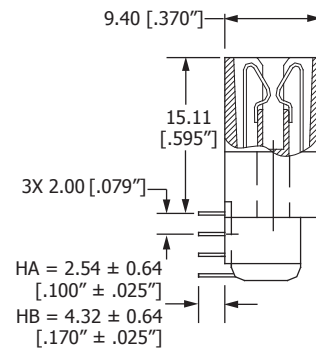


READOUT

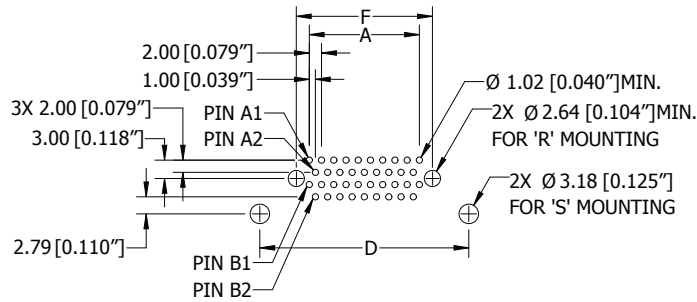


DUAL (D)

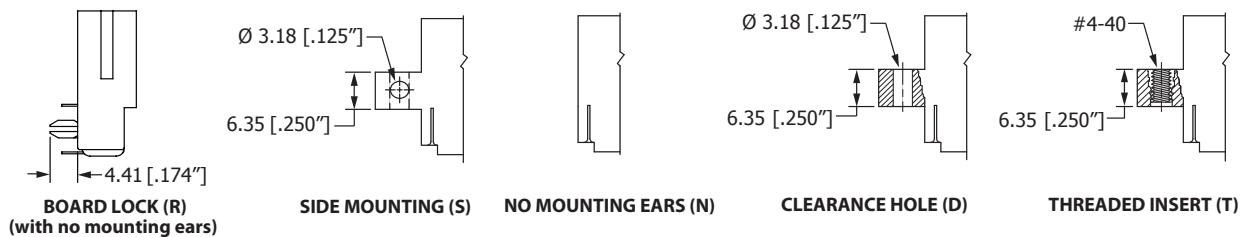
TERMINATION TYPE



PCB LAYOUT



MOUNTING STYLE



1.00 mm [.039"] Contact Centers, 21.84 mm [.860"] Insulator Height, Right Angle

PART NUMBER OPTIONS

MATERIALS (INSULATOR/CONTACT)

- G = PA9T/Phosphor Bronze
 - R = PPS/Phosphor Bronze
 - J = PA9T/Beryllium Copper
 - A = PPS/Beryllium Copper
- Refer to Page 7 for Operating/Processing Temperatures

CONTACT FINISH - RoHS Compliant

All platings are Lead Free and have .000050" Nickel underplate

Contact Surface

- B = .00010" Gold
- C = .00030" Gold

Termination

- .000100" Pure Tin, Matte
- .000100" Pure Tin, Matte

CONTACT CENTERS

- E = 1 mm [.039"]

NUMBER OF CONTACT POSITIONS

See Chart Below

G B E 50 D HA D - Sxxx

MODIFICATION CODE (Consult Factory)
OMIT FOR STANDARD

MOUNTING STYLE (Opposite Page)

- D = Flush Mounting
- N = No Mounting
- R = Metal Board Lock
- S = Side Mounting
- T = Flush Mounting -Threaded Insert

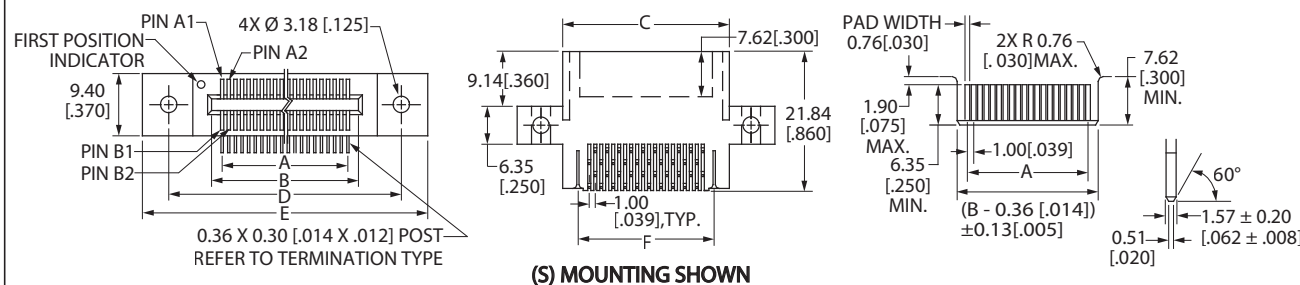
TERMINATION TYPE (Opposite Page)

- HA = 2.54 mm [.100"] Tail Length
- HB = 4.32 mm [.170"] Tail Length

READOUT (Opposite Page)

- D = Dual

DIMENSIONS Dimensions in [] are in inches, all others are in millimeters.



POSITIONS/ CONTACTS	MILLIMETERS						INCHES					
	A±0.13	B±0.13	C±0.38	D±0.25	E±0.51	F±0.25	A±.005	B±.005	C±.015	D±.010	E±.020	F±.010
02/04*	1.00	4.32	9.89	17.15	25.13	5.25	0.039	0.170	0.389	0.675	0.989	0.207
03/06*	2.00	5.32	10.89	18.15	26.13	6.25	0.079	0.210	0.429	0.715	1.029	0.246
04/08*	3.00	6.32	11.89	19.15	27.13	7.25	0.118	0.249	0.468	0.754	1.068	0.285
05/10	4.00	7.32	12.89	20.15	28.13	8.25	0.157	0.288	0.507	0.793	1.107	0.325
06/12*	5.00	8.32	13.89	21.15	29.13	9.25	0.197	0.328	0.547	0.833	1.147	0.364
07/14*	6.00	9.32	14.89	22.15	30.13	10.25	0.236	0.367	0.586	0.872	1.186	0.404
08/16*	7.00	10.32	15.89	23.15	31.13	11.25	0.276	0.407	0.626	0.912	1.226	0.443
09/18*	8.00	11.32	16.89	24.15	32.13	12.25	0.315	0.446	0.665	0.951	1.265	0.482
10/20	9.00	12.32	17.89	25.15	33.13	13.25	0.354	0.485	0.704	0.990	1.304	0.522
11/22*	10.00	13.32	18.89	26.15	34.13	14.25	0.394	0.525	0.744	1.030	1.344	0.561
12/24	11.00	14.32	19.89	27.15	35.13	15.25	0.433	0.564	0.783	1.069	1.383	0.600
13/26*	12.00	15.32	20.89	28.15	36.13	16.25	0.472	0.603	0.822	1.108	1.422	0.640
14/28*	13.00	16.32	21.89	29.15	37.13	17.25	0.512	0.643	0.862	1.148	1.462	0.679
15/30	14.00	17.32	22.89	30.15	38.13	18.25	0.551	0.682	0.901	1.187	1.501	0.719
16/32	15.00	18.32	23.89	31.15	39.13	19.25	0.591	0.722	0.941	1.227	1.541	0.758
17/34*	16.00	19.32	24.89	32.15	40.13	20.25	0.630	0.761	0.980	1.266	1.580	0.797
18/36*	17.00	20.32	25.89	33.15	41.13	21.25	0.669	0.800	1.019	1.305	1.619	0.837
19/38*	18.00	21.32	26.89	34.15	42.13	22.25	0.709	0.840	1.059	1.345	1.659	0.876
20/40	19.00	22.32	27.89	35.15	43.13	23.25	0.748	0.879	1.098	1.384	1.698	0.915
21/42*	20.00	23.32	28.89	36.15	44.13	24.25	0.787	0.918	1.137	1.423	1.737	0.955
22/44*	21.00	24.32	29.89	37.15	45.13	25.25	0.827	0.958	1.177	1.463	1.777	0.994
23/46*	22.00	25.32	30.89	38.15	46.13	26.25	0.866	0.997	1.216	1.502	1.816	1.033
24/48*	23.00	26.32	31.89	39.15	47.13	27.25	0.906	1.037	1.256	1.542	1.856	1.073
25/50	24.00	27.32	32.89	40.15	48.13	28.25	0.945	1.076	1.295	1.581	1.895	1.112
26/52*	25.00	28.32	33.89	41.15	49.13	29.25	0.984	1.115	1.334	1.620	1.934	1.152
27/54*	26.00	29.32	34.89	42.15	50.13	30.25	1.024	1.155	1.374	1.660	1.974	1.191
28/56*	27.00	30.32	35.89	43.15	51.13	31.25	1.063	1.194	1.413	1.699	2.013	1.230
29/58*	28.00	31.32	36.89	44.15	52.13	32.25	1.102	1.233	1.452	1.738	2.052	1.270
30/60	29.00	32.32	37.89	45.15	53.13	33.25	1.142	1.273	1.492	1.778	2.092	1.309
31/62*	30.00	33.32	38.89	46.15	54.13	34.25	1.181	1.312	1.531	1.817	2.131	1.348
32/64*	31.00	34.32	39.89	47.15	55.13	35.25	1.220	1.351	1.570	1.856	2.170	1.388
33/66*	32.00	35.32	40.89	48.15	56.13	36.25	1.260	1.391	1.610	1.896	2.210	1.427
34/68*	33.00	36.32	41.89	49.15	57.13	37.25	1.299	1.430	1.649	1.935	2.249	1.467
35/70	34.00	37.32	42.89	50.15	58.13	38.25	1.339	1.470	1.689	1.975	2.289	1.506
36/72*	35.00	38.32	43.89	51.15	59.13	39.25	1.378	1.509	1.728	2.014	2.328	1.545
37/74*	36.00	39.32	44.89	52.15	60.13	40.25	1.417	1.548	1.767	2.053	2.367	1.585
38/76*	37.00	40.32	45.89	53.15	61.13	41.25	1.457	1.588	1.807	2.093	2.407	1.624
39/78*	38.00	41.32	46.89	54.15	62.13	42.25	1.496	1.627	1.846	2.132	2.446	1.663
40/80	39.00	42.32	47.89	55.15	63.13	43.25	1.535	1.666	1.885	2.171	2.485	1.703
41/82*	40.00	43.32	48.89	56.15	64.13	44.25	1.575	1.706	1.925	2.211	2.525	1.742
42/84*	41.00	44.32	49.89	57.15	65.13	45.25	1.614	1.745	1.964	2.250	2.564	1.781
43/86*	42.00	45.32	50.89	58.15	66.13	46.25	1.654	1.785	2.004	2.290	2.604	1.821
44/88*	43.00	46.32	51.89	59.15	67.13	47.25	1.693	1.824	2.043	2.329	2.643	1.860
45/90	44.00	47.32	52.89	60.15	68.13	48.25	1.732	1.863	2.082	2.368	2.682	1.900
46/92*	45.00	48.32	53.89	61.15	69.13	49.25	1.772	1.903	2.122	2.408	2.722	1.939
47/94*	46.00	49.32	54.89	62.15	70.13	50.25	1.811	1.942	2.161	2.447	2.761	1.978
48/96*	47.00	50.32	55.89	63.15	71.13	51.25	1.850	1.981	2.200	2.486	2.800	2.018
49/98*	48.00	51.32	56.89	64.15	72.13	52.25	1.890	2.021	2.240	2.526	2.840	2.057
50/100	49.00	52.32	57.89	65.15	73.13	53.25	1.929	2.060	2.279	2.565	2.879	2.096

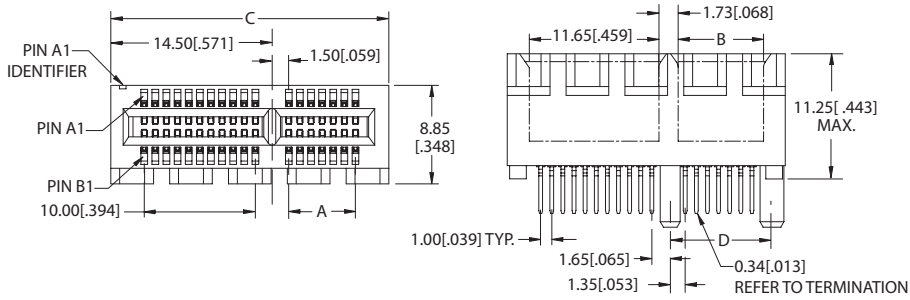
* Consult factory for availability.

High Density Card Edge

1.00 mm [.039"] Contact Centers, PCI Express, Dip Solder

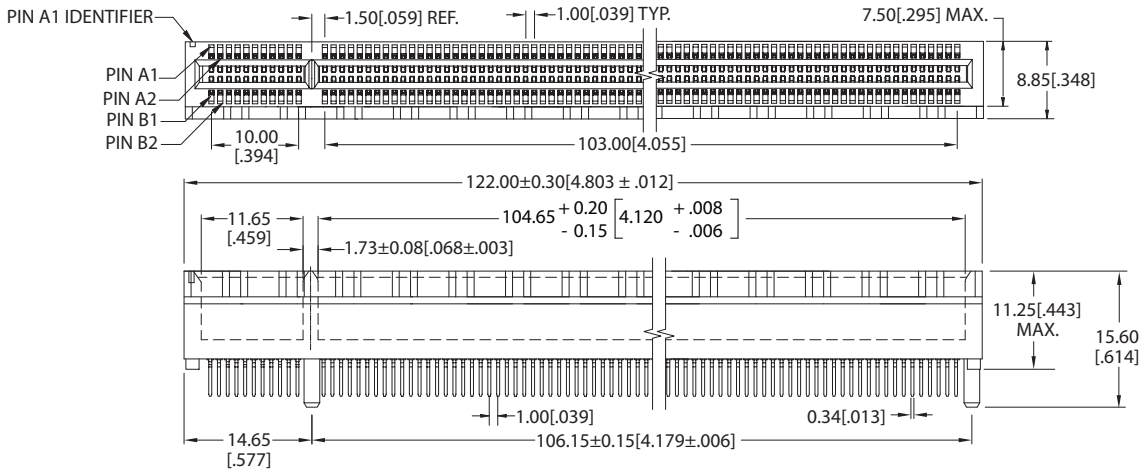
High Density Card Edge

DIMENSIONS Dimensions in [] are in inches, all others are in millimeters.

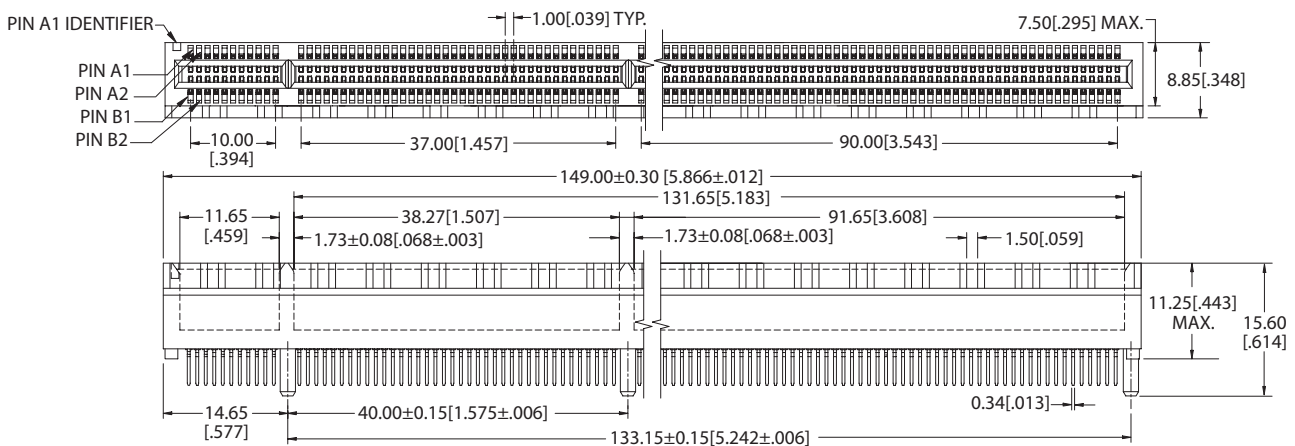


18/36, 32/64, 49/98, 82/164 POSITION, STAGGERED DIP SOLDER (HH)

POSITIONS/ CONTACTS	MILLIMETERS				INCHES			
	A±0.15	B+0.20/-0.15	C±0.30	D±0.10	A±0.006	B+0.008/-0.006	C±0.012	D±0.004
18/36	6.00	7.65	25.00	9.15	0.236	0.301	0.984	0.360
32/64	20.00	21.65	39.00	23.15	0.787	0.852	1.535	0.911
49/98	37.00	38.65	56.00	40.15	1.457	1.522	2.205	1.581
82/164	70.00	71.65	89.00	73.15	2.756	2.821	3.504	2.880



115/230 POSITION, STAGGERED DIP SOLDER (HH)

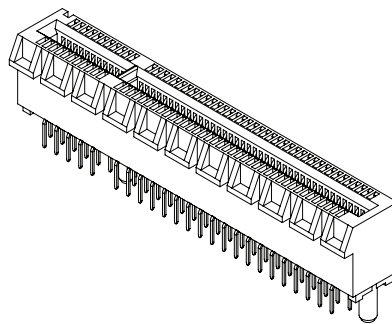


140/280 POSITION, STAGGERED DIP SOLDER (HH)

PART NUMBER OPTIONS

MATERIALS (INSULATOR/CONTACT) G = Nylon/Phosphor Bronze	G	B	E	18	D	HH	N	-T9	2	1	COLOR 1 = Black Consult factory for alternate colors
CONTACT FINISH - RoHS Compliant All platings are Lead Free and have .000050" Nickel underplate											
Contact Surface											
B = .000010" Gold											
C = .000030" Gold											
W = Gold Flash											
Termination											
.000100" Pure Tin, Matte											
.000100" Pure Tin, Matte											
.000100" Pure Tin, Matte											
CONTACT CENTERS E = 1 mm [.039"]											
NUMBER OF CONTACT POSITIONS 18, 32, 49, 82, 115, 140											
READOUT D = Dual											
MODIFICATION CODE T7 = Gen 3 T9 = Gen 1											
MOUNTING STYLE N = No Mounting											
TERMINATION TYPE HH = Staggered Dip Solder											

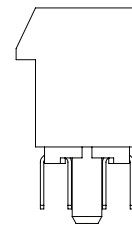
Operating & Processing Temperature: Consult Factory



SPECIFICATIONS

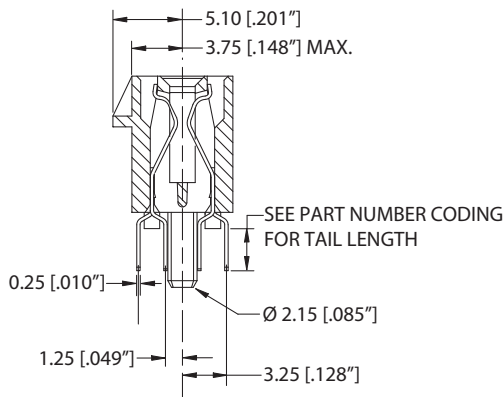
- All PCI Express parts meet the latest PCI Express specifications
- Supports 2.5 GT/s, 5.0 GT/s or 8.0 GT/s Data Transfer Rate (per pair data bandwidth)
- Accommodates 1.57 mm [.062"] PC board
- 1.1 Amp current rating per contact
- UL Flammability Rating: 94V-0

READOUT



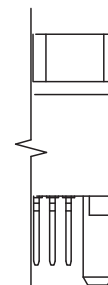
DUAL (D)

TERMINATION TYPE



Staggered Dip Solder (HH)

MOUNTING STYLE

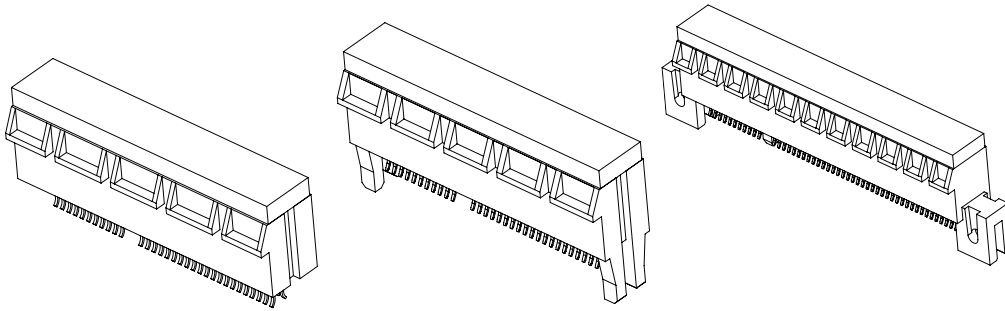


No Mounting Ears (N)

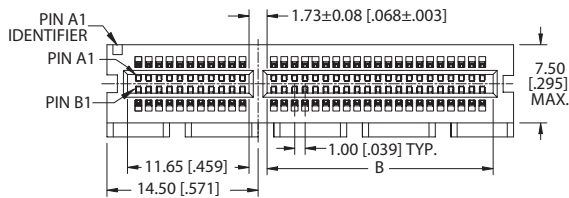
High Density Card Edge

1.00 mm [.039"] Contact Centers, PCI Express, Card Extender for Straddle Mount

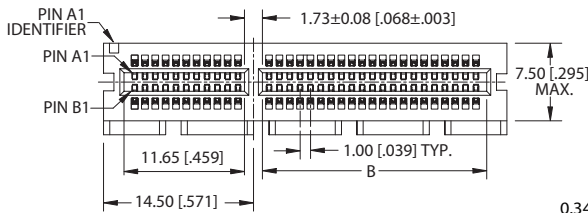
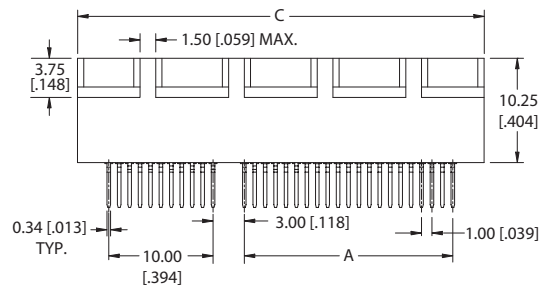
High Density Card Edge



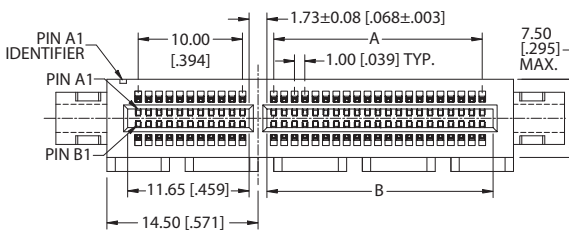
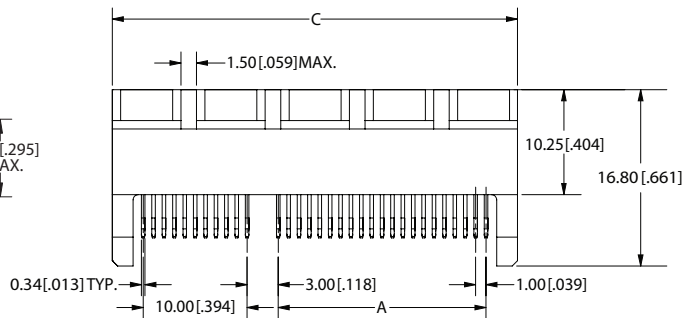
DIMENSIONS Dimensions in [] are in inches, all others are in millimeters.



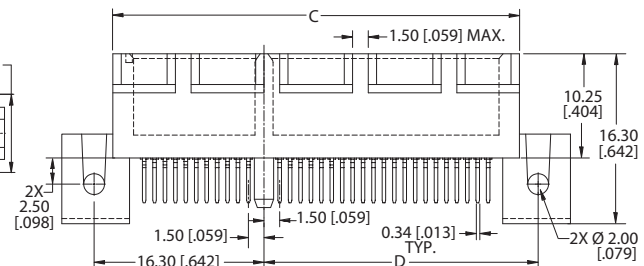
STRADDLE MOUNT without PEGS
Example Part Number: GBE18DHRN-T941



STRADDLE MOUNT with PEGS
Example Part Number: GBE18DHRN-T9410



STRADDLE MOUNT with CLIPS
Example Part Number: GBE18DHRQ-T941



POSITIONS/ CONTACTS	MILLIMETERS				INCHES			
	A	B	C	D	A	B	C	D
18/36	6.00	7.65	25.00	12.30	0.236	0.301	0.984	0.484
32/64	20.00	21.65	39.00	26.30	0.787	0.852	1.535	1.035
49/98	37.00	38.65	56.00	43.30	1.457	1.522	2.205	1.705
82/164	70.00	71.65	89.00	76.30	2.756	2.821	3.504	3.004

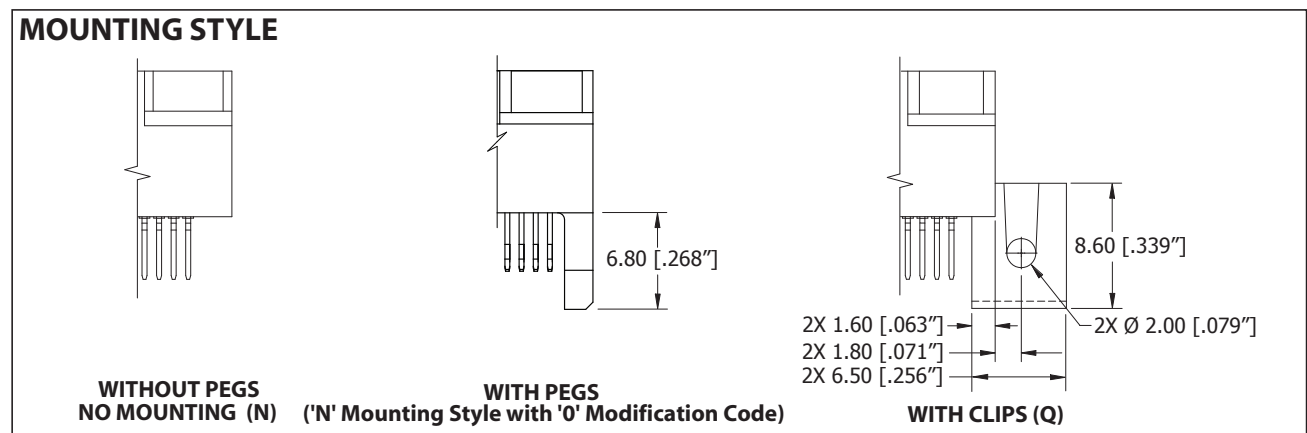
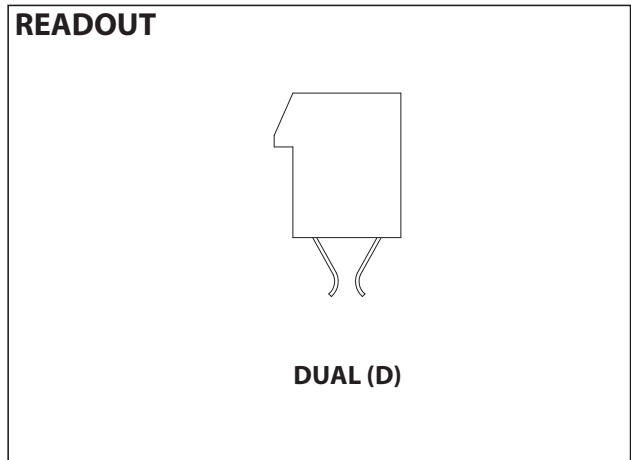
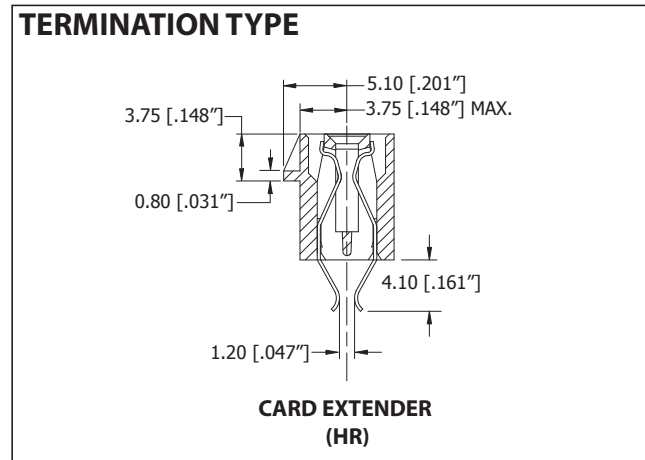
PART NUMBER OPTIONS

<p>MATERIALS (INSULATOR/CONTACT) G = Nylon/Phosphor Bronze</p> <p>CONTACT FINISH - RoHS Compliant All platings are Lead Free and have .000050" Nickel underplate</p> <table border="0"> <tr> <th>Contact Surface</th> <th>Termination</th> </tr> <tr> <td>B = .000010" Gold</td> <td>.000100" Pure Tin, Matte</td> </tr> <tr> <td>C = .000030" Gold</td> <td>.000100" Pure Tin, Matte</td> </tr> <tr> <td>W = Gold Flash</td> <td>.000100" Pure Tin, Matte</td> </tr> </table> <p>CONTACT CENTERS E = 1 mm [.039"]</p> <p>NUMBER OF CONTACT POSITIONS 18, 32, 49, 82</p> <p>READOUT D = Dual</p>	Contact Surface	Termination	B = .000010" Gold	.000100" Pure Tin, Matte	C = .000030" Gold	.000100" Pure Tin, Matte	W = Gold Flash	.000100" Pure Tin, Matte	<p>G B E 18 D HR N -T9 4 1 0</p>	<p>MODIFICATION CODE Omit '0' For Without Pegs ('N' or 'Q' Mounting) 0 = Pegs (Available in 'N' Mounting Only)</p> <p>COLOR 1 = Black</p> <p>TAIL LENGTH 4 = 4.10 mm [.161"]</p> <p>MOUNTING STYLE N = No Mounting Q = Straddle Mount with Clips ('Q' Only Available with T941 Modification)</p> <p>TERMINATION TYPE HR = Card Extender for Straddle Mount</p>
Contact Surface	Termination									
B = .000010" Gold	.000100" Pure Tin, Matte									
C = .000030" Gold	.000100" Pure Tin, Matte									
W = Gold Flash	.000100" Pure Tin, Matte									

Operating & Processing Temperature: Consult Factory

SPECIFICATIONS

- All PCI Express parts meet the latest PCI Express specifications
- Supports 2.5 GT/s, 5.0 GT/s or 8.0 GT/s Data Transfer Rate (per pair data bandwidth)
- Accommodates 1.57 mm [.062"] PC board
- 1.1 Amp current rating per contact
- UL Flammability Rating: 94V-0

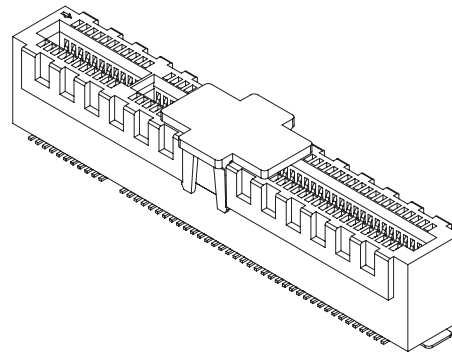


High Density Card Edge

1.00 mm [.039"] Contact Centers, PCI Express, SMT with Posts

SPECIFICATIONS

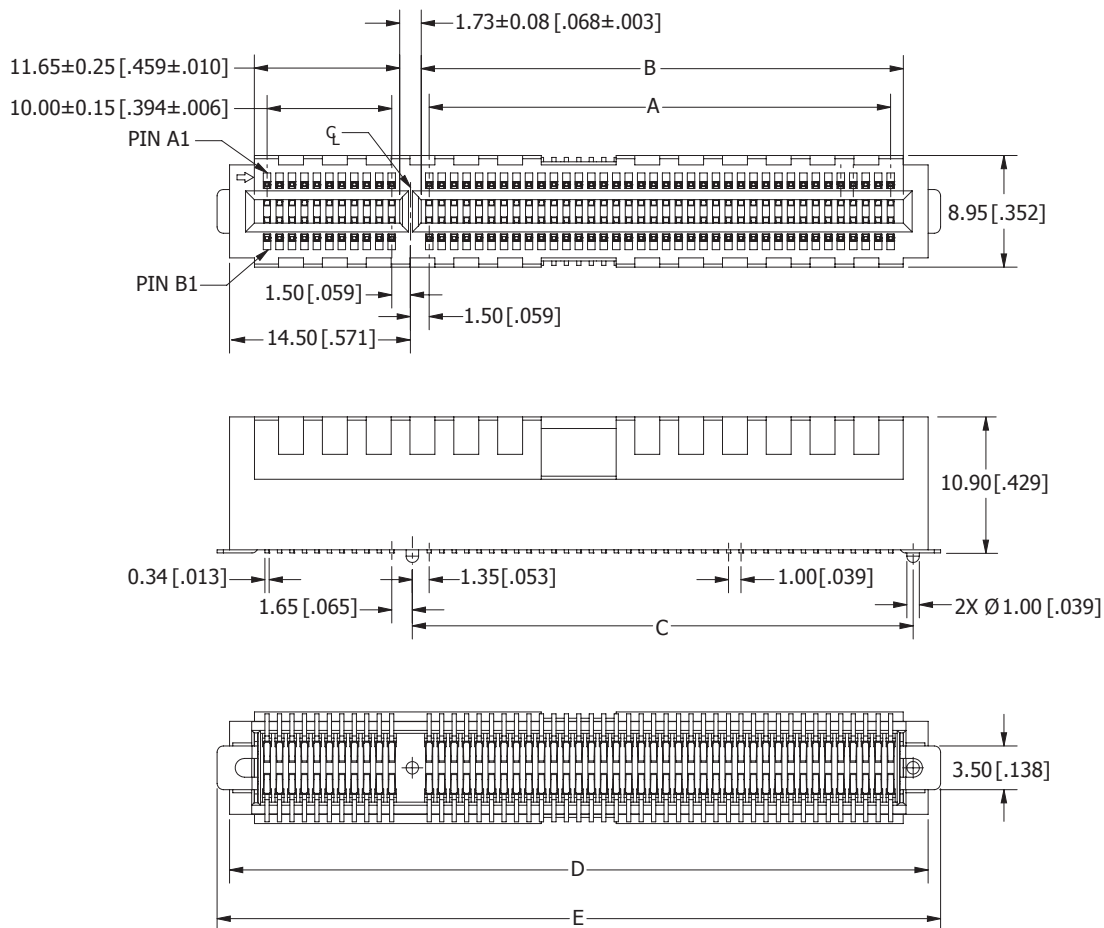
- All PCI Express parts meet the latest PCI Express specifications
- Supports 2.5 GT/s, 5.0 GT/s or 8.0 GT/s Data Transfer Rate (per pair data bandwidth)
- Accommodates 1.57 mm [.062"] PC board
- 1.1 Amp current rating per contact
- UL Flammability Rating: 94V-0



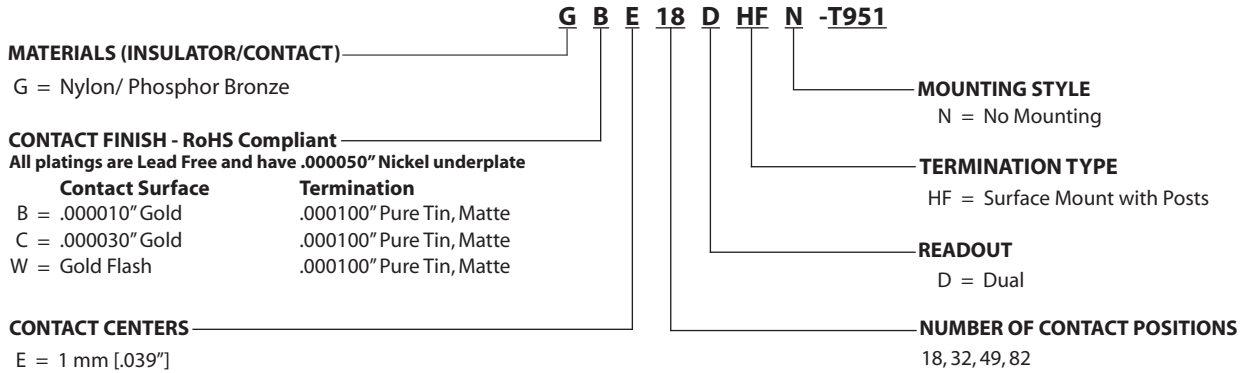
High Density Card Edge

DIMENSIONS

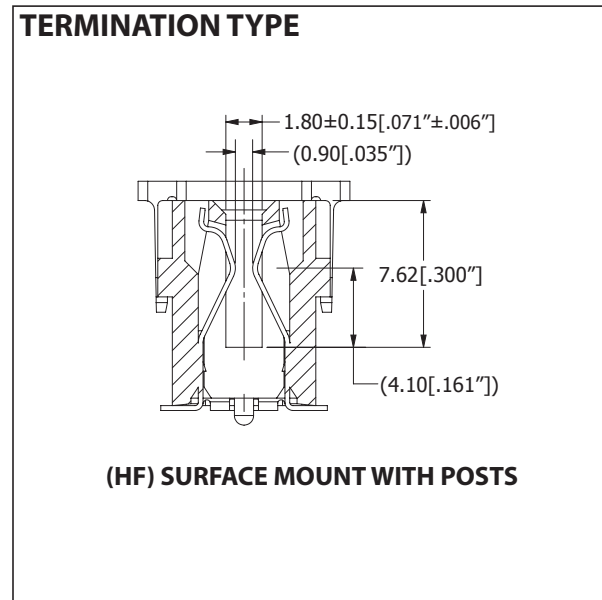
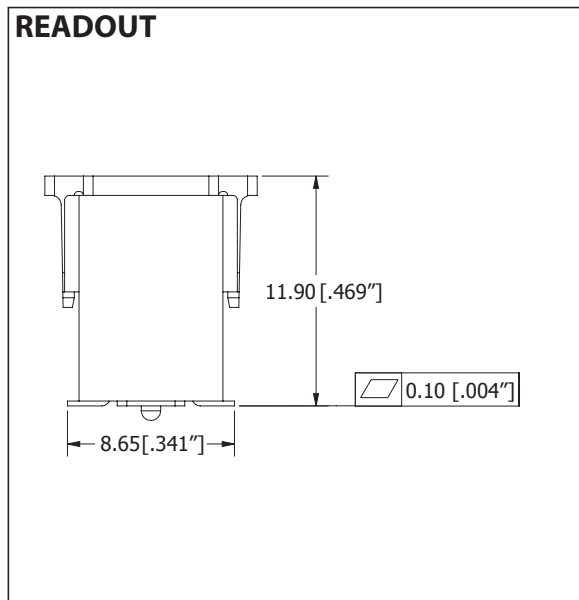
Dimensions in [] are in inches, all others are in millimeters.



PART NUMBER OPTIONS



Operating & Processing Temperature: Consult Factory



POSITIONS/ CONTACTS	MILLIMETERS					INCHES				
	A±0.15	B +0.20/-0.15	C±0.25	D±0.25	E±0.25	A±0.006"	B +.008/- .006"	C ±0.010"	D±0.010"	E±0.010"
18/36	6.00	7.65	9.15	25.00	27.00	0.236	0.301	0.360	0.984	1.063
32/64	20.00	21.65	23.15	39.00	41.00	0.787	0.852	0.911	1.535	1.614
49/98	37.00	38.65	40.15	56.00	58.00	1.457	1.522	1.581	2.205	2.283
82/164	70.00	71.65	73.15	89.00	91.00	2.756	2.821	2.880	3.504	3.583

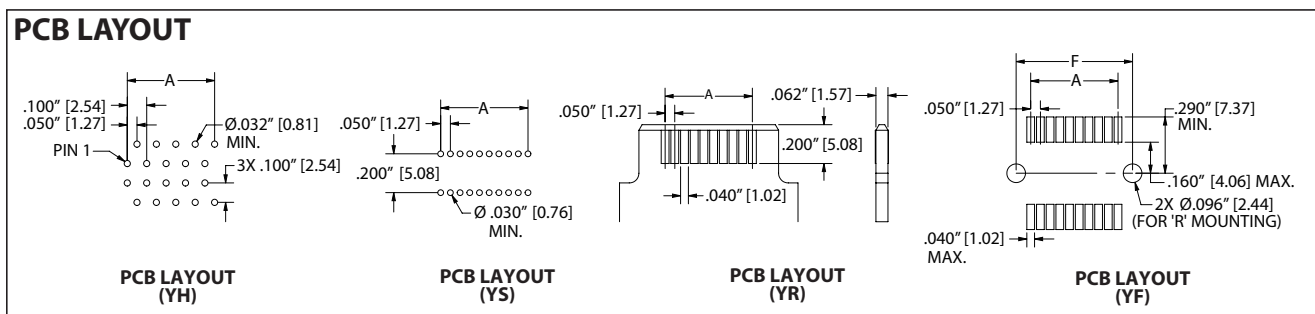
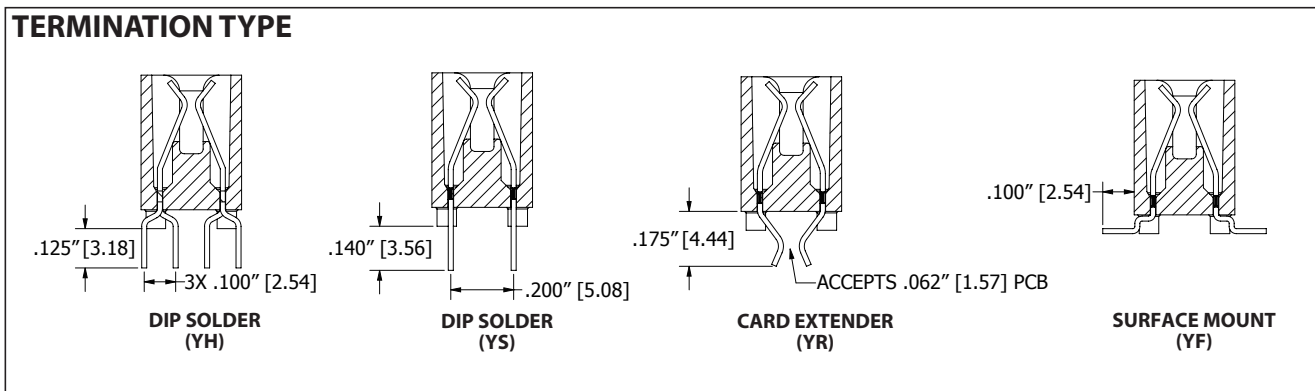
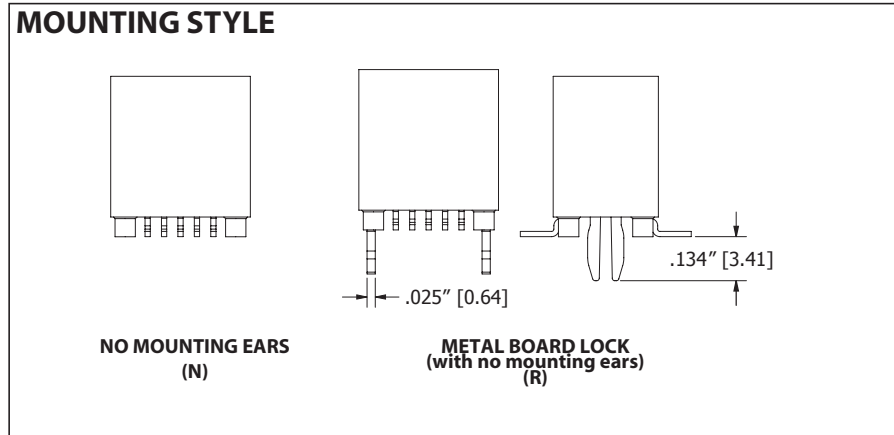
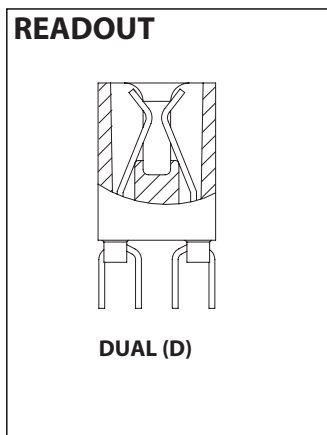
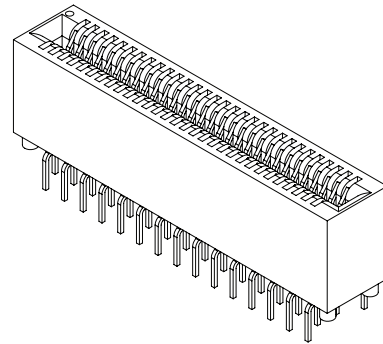
High Density Card Edge

.050" [1.27 mm] Contact Centers, .488" [12.40 mm] Insulator Height, Ultra Thin, Dip Solder/Card Extender/SMT

High Density Card Edge

SPECIFICATIONS

- Accommodates $.062" \pm .008"$ [1.57 mm \pm 0.20 mm] PC board
- PPS or PA9T insulator
- Contact Material: Phosphor Bronze, Beryllium Copper or Spinodal
- Molded-in key available
- 1 Amp current rating per contact for contacts fully energized
- UL Flammability Rating: 94V-0
- Operating Temperature: -65°C up to $+200^{\circ}\text{C}$



PART NUMBER OPTIONS

G C B 20 D YH N - S1355

MATERIALS (INSULATOR/CONTACT)
 R = PPS/Phosphor Bronze
 G = PA9T/Phosphor Bronze
 A = PPS/Beryllium Copper
 J = PA9T/Beryllium Copper
 F = PPS/Spinodal**
 Refer to Page 7 for Operating/Processing Temperatures

CONTACT FINISH - RoHS Compliant
 All platings are Lead Free and have .000050" Nickel underplate

Contact Surface	Termination
B = .000010" Gold	.000100" Pure Tin, Matte
C = .000030" Gold	.000100" Pure Tin, Matte
M = .000030" Gold	.000010" Gold Overall

CONTACT CENTERS
 B = .050" [1.27 mm]

NUMBER OF CONTACT POSITIONS
 See Chart Below

MODIFICATION CODE (Consult Factory)
 S1355 = for YH Termination Only
 S1675 = for YS, YR & YF Terminations

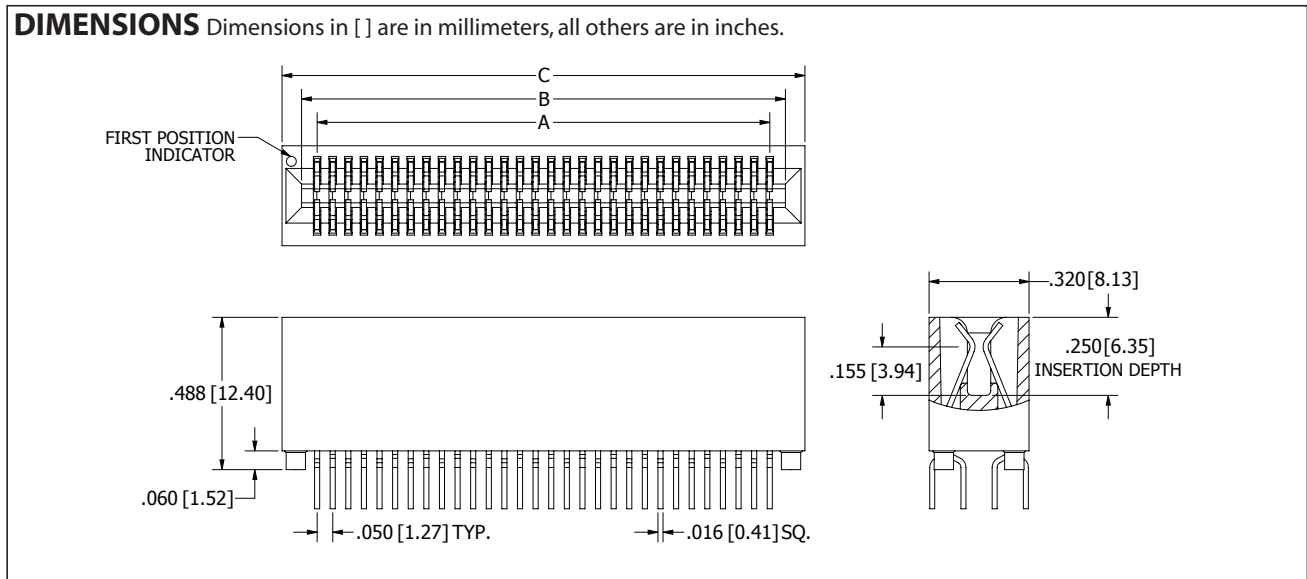
MOUNTING STYLE
 N = No Mounting
 R = Metal Board Locks
 (for YF Termination Only)

TERMINATION TYPE (See Opposite Page)
 YH = Dip Solder, Alternate Bent In & Out
 YS = Dip Solder
 YR = Card Extender
 YF = Surface Mount

READOUT
 D = Dual

High Density Card Edge

**Consult factory for special soldering guidelines. 'M' plating only.



POSITIONS/ CONTACTS	INCHES				MILLIMETERS			
	A±.005	B±.005	C±.015	F±.010	A±0.13	B±0.13	C±0.38	F±0.25
5/10	0.200	0.300	0.425	0.350	5.08	7.62	10.80	8.89
6/12*	0.250	0.350	0.475	0.400	6.35	8.89	12.07	10.16
10/20*	0.450	0.550	0.675	0.600	11.43	13.97	17.15	15.24
15/30	0.700	0.800	0.925	0.850	17.78	20.32	23.50	21.59
20/40	0.950	1.050	1.175	1.100	24.13	26.67	29.85	27.94
25/50*	1.200	1.300	1.425	1.350	30.48	33.02	36.20	34.29
30/60	1.450	1.550	1.675	1.600	36.83	39.37	42.55	40.64
40/80	1.950	2.050	2.175	2.100	49.53	52.07	55.25	53.34
50/100	2.450	2.550	2.675	2.600	62.23	64.77	67.95	66.04
79/158	3.900	4.000	4.125	4.050	99.06	101.60	104.78	102.87

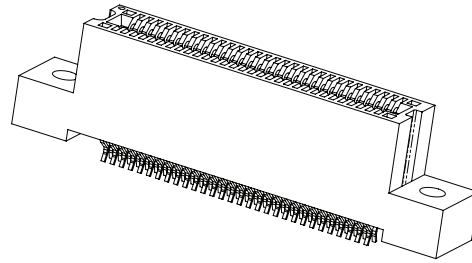
* Consult factory for availability.

High Density Card Edge

**.050" [1.27 mm] Contact Centers, .610" [15.49 mm] Insulator Height,
Dip Solder/Card Extender/SMT for .031"[0.79 mm], .062"[1.57 mm] or .093"[2.36 mm] Mating PCB**

SPECIFICATIONS

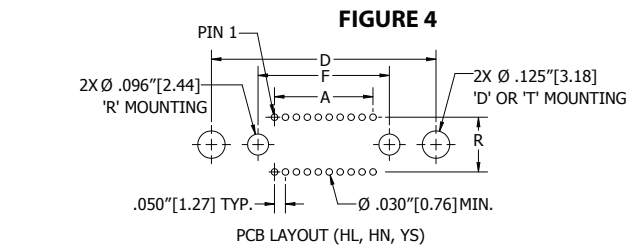
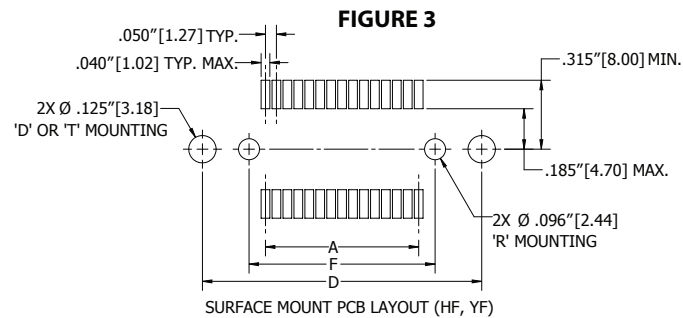
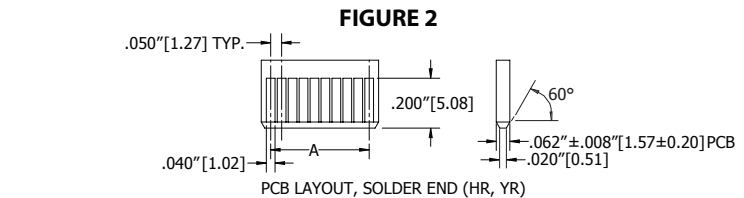
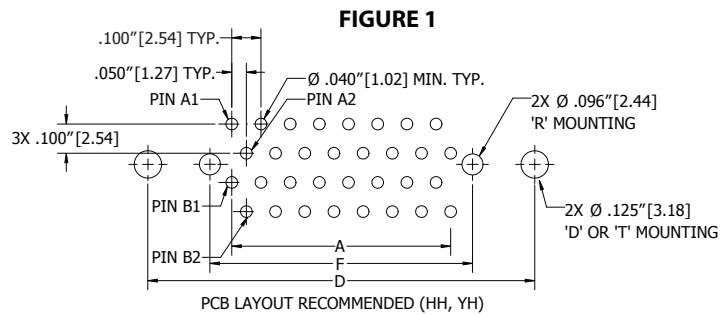
- Accommodates $.031" \pm .006"$ [0.79 mm \pm 0.15 mm], $.062" \pm .008"$ [1.57 mm \pm 0.20 mm] or $.093" \pm .008"$ [2.36 mm \pm 0.20 mm] mating PCB
- PPS or PA9T insulator
- Molded-in key available
- High reliability/high cycle hairpin bellow & cantilever contacts
- 1 Amp current rating per contact for contacts fully energized
- UL Flammability Rating: 94V-0
- Operating Temperature: -65°C up to $+200^{\circ}\text{C}$



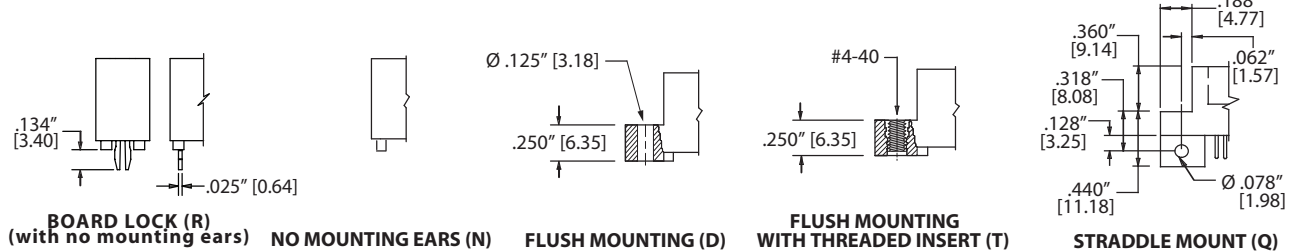
High Density Card Edge

TERMINATION TYPE

HAIR PIN POST .018" [0.46] X .012" [0.30]	(P/N CODE) TERMINATION LAYOUT	ROW SPACING (‘R’ DIM)	TAIL LENGTH (‘L’ DIM)
	(HH) THRU HOLE STRAIGHT figure 1	3 X 0.100" [2.54]	0.125" [3.18]
	(HR) CARD EXTENDER figure 2	ACCEPTS .062" [1.57] PCB	0.160" [4.06]
	(HF) SURFACE MOUNT figure 3	N/A	0.100" [2.54]
	(HL) THRU HOLE STRAIGHT figure 4	0.250" [6.35]	0.160" [4.06]
	(HN) THRU HOLE STRAIGHT figure 4	0.100" [2.54]	0.125" [3.18]
CANTILEVER POST SIZE .016" [0.41] SQ.	(P/N CODE) TERMINATION LAYOUT	ROW SPACING (‘R’ DIM)	TAIL LENGTH (‘L’ DIM)
	(YH) THRU HOLE STRAIGHT figure 1	3 X 0.100" [2.54]	0.125" [3.18]
	(YR) CARD EXTENDER figure 2	ACCEPTS .062" [1.57] PCB	0.175" [4.45]
	(YF) SURFACE MOUNT figure 3	N/A	0.100" [2.54]
	(YS) THRU HOLE STRAIGHT figure 4	0.200" [5.08]	0.140" [3.56]



MOUNTING STYLE



.050" [1.27 mm] Contact Centers, .610" [15.49 mm] Insulator Height, Dip Solder/Card Extender/SMT for .031"[0.79mm], .062"[1.57mm] or .093"[2.36mm] Mating PCB

PART NUMBER OPTIONS

MATERIALS (INSULATOR/CONTACT)

- G = PA9T/Phosphor Bronze
- R = PPS/Phosphor Bronze
- J = PA9T/Beryllium Copper
- A = PPS/Beryllium Copper
- F = PPS/Spinodal**

Refer to Page 7 for Operating/Processing Temperatures

CONTACT FINISH - RoHS Compliant

All platings are Lead Free and have .00050" Nickel underplate

Contact Surface

- B = .00010" Gold
- C = .000030" Gold
- ***M = .000030" Gold

Termination

- .000100" Pure Tin, Matte
- .000100" Pure Tin, Matte
- .000010" Gold Overall

*** (YH, YR, YF & YS Termination only)

CONTACT CENTERS

- B = .050" [1.27 mm]

NUMBER OF CONTACT POSITIONS

See Chart Below

G B B 40 D HH D - Sxxx

MODIFICATION CODE (Consult Factory)

OMIT FOR STANDARD

- S1648 = .031" ± 0.006" [0.79 ± 0.15] Mating PCB
- S1763 = .093" ± 0.008" [2.36 ± 0.20] Mating PCB

(for HH, HR, HF, HN & HL Termination only)

MOUNTING STYLE (Opposite Page)

- D = Flush Mounting
- N = No Mounting
- T = Flush Mounting With Threaded Insert
- Q = Straddle Mount (Card Extender Only)*
- R = Metal Board Locks

TERMINATION TYPE (Opposite Page)

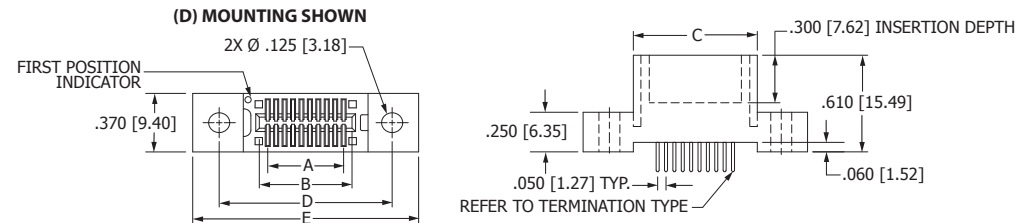
- HH, YH = Staggered Dip Solder
- HR, YR = Card Extender
- HF, YF = Surface Mount
- HL = Dip Solder
- HN = Dip Solder
- YS = Dip Solder

READOUT (Opposite Page)

- D = Dual

**Consult factory for special soldering guidelines. YH, YR, YF & YS termination with 'M' plating only.

DIMENSIONS Dimensions in [] are in millimeters, all others are in inches.



POSITIONS/ CONTACTS	INCHES						MILLIMETERS					
	A±.005	B±.005	C±.015	D±.010	E±.020	F±.010	A±0.13	B±0.13	C±0.38	D±0.25	E±0.51	F±0.25
05/10	0.200	0.300	0.490	0.776	1.090	0.350	5.08	7.62	12.45	19.71	27.69	8.89
06/12	0.250	0.350	0.540	0.826	1.140	0.400	6.35	8.89	13.72	20.98	28.96	10.16
08/16	0.350	0.450	0.640	0.926	1.240	0.500	8.89	11.43	16.26	23.52	31.50	12.70
09/18	0.400	0.500	0.690	0.976	1.290	0.550	10.16	12.70	17.53	24.79	32.77	13.97
10/20	0.450	0.550	0.740	1.026	1.340	0.600	11.43	13.97	18.80	26.06	34.04	15.24
13/26	0.600	0.700	0.890	1.176	1.490	0.750	15.24	17.78	22.61	29.87	37.85	19.05
14/28	0.650	0.750	0.940	1.226	1.540	0.800	16.51	19.05	23.88	31.14	39.12	20.32
15/30	0.700	0.800	0.990	1.276	1.590	0.850	17.78	20.32	25.15	32.41	40.39	21.59
16/32	0.750	0.850	1.040	1.326	1.640	0.900	19.05	21.59	26.42	33.68	41.66	22.86
20/40	0.950	1.050	1.240	1.526	1.840	1.100	24.13	26.67	31.50	38.76	46.74	27.94
22/44	1.050	1.150	1.340	1.626	1.940	1.200	26.67	29.21	34.04	41.30	49.28	30.48
24/48	1.150	1.250	1.440	1.726	2.040	1.300	29.21	31.75	36.58	43.84	51.82	33.02
25/50	1.200	1.300	1.490	1.776	2.090	1.350	30.48	33.02	37.85	45.11	53.09	34.29
28/56	1.350	1.450	1.640	1.926	2.240	1.500	34.29	36.83	41.66	48.92	56.90	38.10
30/60	1.450	1.550	1.740	2.026	2.340	1.600	36.83	39.37	44.20	51.46	59.44	40.64
34/68	1.650	1.750	1.940	2.226	2.540	1.800	41.91	44.45	49.28	56.54	64.52	45.72
35/70	1.700	1.800	1.990	2.276	2.590	1.850	43.18	45.72	50.55	57.81	65.79	46.99
40/80	1.950	2.050	2.240	2.526	2.840	2.100	49.53	52.07	56.90	64.16	72.14	53.34
41/82*	2.000	2.100	2.290	2.576	2.890	2.150	50.80	53.34	58.17	65.43	73.41	54.61
44/88	2.150	2.250	2.440	2.726	3.040	2.300	54.61	57.15	61.98	69.24	77.22	58.42
45/90	2.200	2.300	2.490	2.776	3.090	2.350	55.88	58.42	63.25	70.51	78.49	59.69
50/100	2.450	2.550	2.740	3.026	3.340	2.600	62.23	64.77	69.60	76.86	84.84	66.04
55/110	2.700	2.800	2.990	3.276	3.590	2.850	68.58	71.12	75.95	83.21	91.19	72.39
60/120	2.950	3.050	3.240	3.526	3.840	3.100	74.93	77.47	82.30	89.56	97.54	78.74
62/124	3.050	3.150	3.340	3.626	3.940	3.200	77.47	80.01	84.84	92.10	100.08	81.28
64/128	3.150	3.250	3.440	3.726	4.040	3.300	80.01	82.55	87.38	94.64	102.62	83.82
65/130	3.200	3.300	3.490	3.776	4.090	3.350	81.28	83.82	88.65	95.91	103.89	85.09
66/132	3.250	3.350	3.540	3.826	4.140	3.400	82.55	85.09	89.92	97.18	105.16	86.36
70/140	3.450	3.550	3.740	4.026	4.340	3.600	87.63	90.17	95.00	102.26	110.24	91.44
75/150	3.700	3.800	3.990	4.276	4.590	3.850	93.98	96.52	101.35	108.61	116.59	97.79
80/160	3.950	4.050	4.240	4.526	4.840	4.100	100.33	102.87	107.70	114.96	122.94	104.14
81/162	4.000	4.100	4.290	4.576	4.890	4.150	101.60	104.14	108.97	116.23	124.21	105.41
85/170*	4.200	4.300	4.490	4.776	5.090	4.350	106.68	109.22	114.05	121.31	129.29	110.49
90/180	4.450	4.550	4.740	5.026	5.340	4.600	113.03	115.57	120.40	127.66	135.64	116.84
92/184*	4.550	4.650	4.840	5.126	5.440	4.700	115.57	118.11	122.94	130.20	138.18	119.38
95/190	4.700	4.800	4.990	5.276	5.590	4.850	119.38	121.92	126.75	134.01	141.99	123.19
96/192*	4.750	4.850	5.040	5.326	5.640	4.900	120.65	123.19	128.02	135.28	143.26	124.46
100/200	4.950	5.050	5.240	5.526	5.840	5.100	125.73	128.27	133.10	140.36	148.34	129.54
105/210	5.200	5.300	5.490	5.776	6.090	5.350	132.08	134.62	139.45	146.71	154.69	135.89
106/212	5.250	5.350	5.540	5.826	6.140	5.400	133.35	135.89	140.72	147.98	155.96	137.16
108/216*	5.350	5.450	5.640	5.926	6.240	5.500	135.89	138.43	143.26	150.52	158.50	139.70
110/220	5.450	5.550	5.740	6.026	6.340	5.600	138.43	140.97	145.80	153.06	161.04	142.24
120/240	5.950	6.050	6.240			6.100	151.13	153.67	158.50			154.94

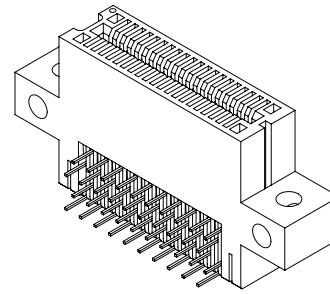
* Consult factory for availability.

High Density Card Edge

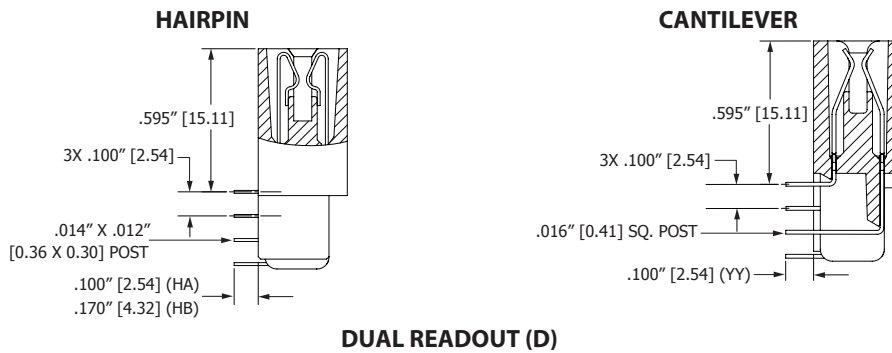
.050" [1.27 mm] Contact Centers, .915" [23.24 mm] Insulator Height, Right Angle for .031" [0.79 mm], .062" [1.57 mm] or .093" [2.36 mm] Mating PCB

SPECIFICATIONS

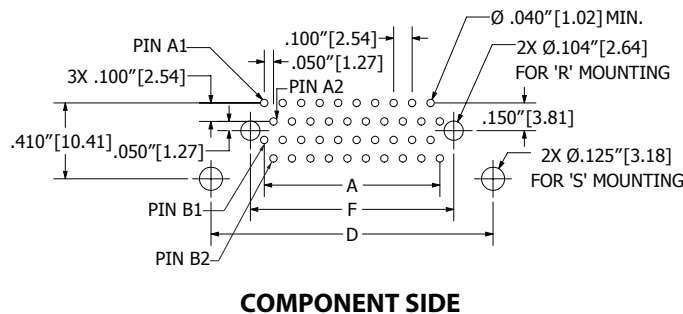
- Accommodates $.031" \pm .006"$ [0.79 mm \pm 0.15 mm], $.062" \pm .008"$ [1.57 mm \pm 0.20 mm] or $.093" \pm .008"$ [2.36 mm \pm 0.20 mm] mating PCB
- PPS or PA9T insulator
- Molded-in key available
- High reliability/high cycle hairpin bellow & cantilever contacts
- 1 Amp current rating per contact for contacts fully energized
- UL Flammability Rating: 94V-0
- Operating Temperature: -65°C up to +200°C



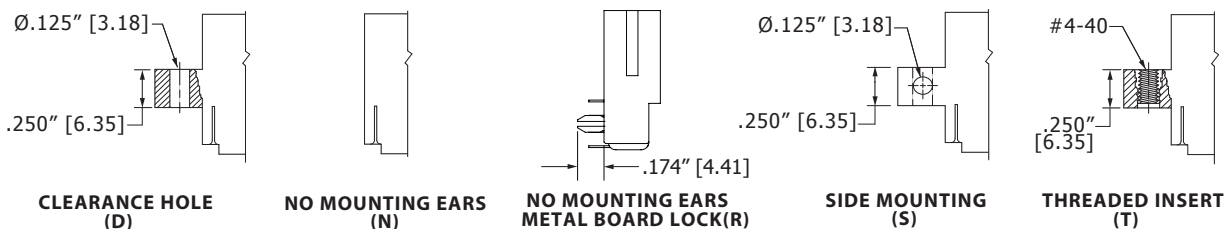
READOUT & TERMINATION TYPE



PCB LAYOUT



MOUNTING STYLE



.050" [1.27 mm] Contact Centers, .915" [23.24 mm] Insulator Height, Right Angle for .031" [0.79 mm], .062" [1.57 mm] or .093" [2.36 mm] Mating PCB

PART NUMBER OPTIONS

MATERIALS (INSULATOR/CONTACT)

- G = PA9T/Phosphor Bronze
- R = PPS/Phosphor Bronze
- J = PA9T/Beryllium Copper
- A = PPS/Beryllium Copper
- F = PPS/Spinodal**

Refer to Page 7 for Operating/Processing Temperatures

CONTACT FINISH - RoHS Compliant

All platings are Lead Free and have .000050" Nickel underplate

- | Contact Surface | Termination |
|--------------------------|--------------------------|
| B = .000010" Gold | .000100" Pure Tin, Matte |
| C = .000030" Gold | .000100" Pure Tin, Matte |
| ***M = .000030" Gold | .000010" Gold Overall |
| ***(YY termination only) | |

CONTACT CENTERS

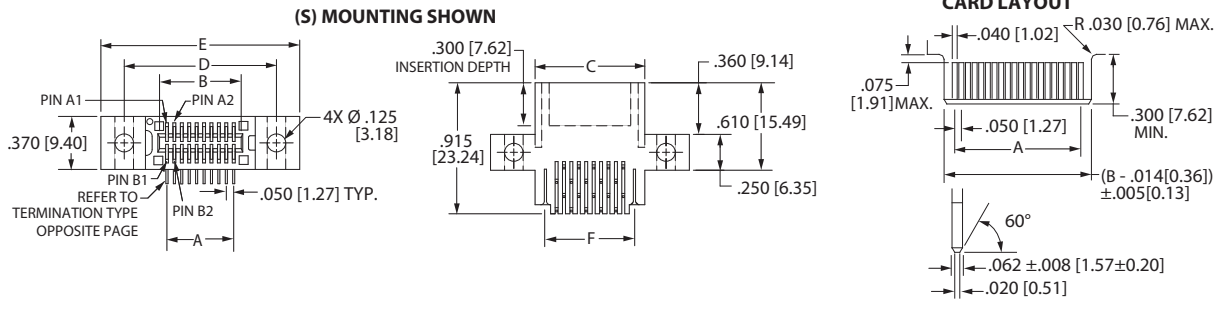
- B = .050" [1.27 mm]

** Consult factory for special soldering guidelines. YY termination with 'M' plating only.

MODIFICATION CODE (Consult Factory)

- OMIT FOR STANDARD
- S1648 = .031"±.006" [0.79 ± 0.15] Mating PCB
- S1763 = .093"±.008" [2.36 ± 0.20] Mating PCB (For HA & HB Termination Only)
- MOUNTING STYLE (Opposite Page)**
 - S = Side Mounting
 - D = Flush Mounting
 - N = No Mounting
 - T = Flush Mounting With Threaded Insert
 - R = Metal Board Lock
- TERMINATION TYPE (Opposite Page)**
 - HA, YY = .100" [2.54 mm] Staggered Right Angle
 - HB = .170" [4.32 mm] Staggered Right Angle
- READOUT (Opposite Page)**
 - D = Dual
- NUMBER OF CONTACT POSITIONS**
See Chart Below

DIMENSIONS Dimensions in [] are in millimeters, all others are in inches.



POSITIONS/ CONTACTS	INCHES						MILLIMETERS					
	A±.005	B±.005	C±.015	D±.010	E±.020	F±.010	A±0.13	B±0.13	C±0.38	D±0.25	E±0.51	F±0.25
05/10	0.200	0.300	0.490	0.776	1.090	0.350	5.08	7.62	12.45	19.71	27.69	8.89
06/12	0.250	0.350	0.540	0.826	1.140	0.400	6.35	8.89	13.72	20.98	28.96	10.16
08/16	0.350	0.450	0.640	0.926	1.240	0.500	8.89	11.43	16.26	23.52	31.50	12.70
09/18	0.400	0.500	0.690	0.976	1.290	0.550	10.16	12.70	17.53	24.79	32.77	13.97
10/20	0.450	0.550	0.740	1.026	1.340	0.600	11.43	13.97	18.80	26.06	34.04	15.24
13/26	0.600	0.700	0.890	1.176	1.490	0.750	15.24	17.78	22.61	29.87	37.85	19.05
14/28	0.650	0.750	0.940	1.226	1.540	0.800	16.51	19.05	23.88	31.14	39.12	20.32
15/30	0.700	0.800	0.990	1.276	1.590	0.850	17.78	20.32	25.15	32.41	40.39	21.59
16/32	0.750	0.850	1.040	1.326	1.640	0.900	19.05	21.59	26.42	33.68	41.66	22.86
20/40	0.950	1.050	1.240	1.526	1.840	1.100	24.13	26.67	31.50	38.76	46.74	27.94
22/44	1.050	1.150	1.340	1.626	1.940	1.200	26.67	29.21	34.04	41.30	49.28	30.48
24/48	1.150	1.250	1.440	1.726	2.040	1.300	29.21	31.75	36.58	43.84	51.82	33.02
25/50	1.200	1.300	1.490	1.776	2.090	1.350	30.48	33.02	37.85	45.11	53.09	34.29
28/56	1.350	1.450	1.640	1.926	2.240	1.500	34.29	36.83	41.66	48.92	56.90	38.10
30/60	1.450	1.550	1.740	2.026	2.340	1.600	36.83	39.37	44.20	51.46	59.44	40.64
34/68	1.650	1.750	1.940	2.226	2.540	1.800	41.91	44.45	49.28	56.54	64.52	45.72
35/70	1.700	1.800	1.990	2.276	2.590	1.850	43.18	45.72	50.55	57.81	65.79	46.99
40/80	1.950	2.050	2.240	2.526	2.840	2.100	49.53	52.07	56.90	64.16	72.14	53.34
41/82*	2.000	2.100	2.290	2.576	2.890	2.150	50.80	53.34	58.17	65.43	73.41	54.61
44/88	2.150	2.250	2.440	2.726	3.040	2.300	54.61	57.15	61.98	69.24	77.22	58.42
45/90	2.200	2.300	2.490	2.776	3.090	2.350	55.88	58.42	63.25	70.51	78.49	59.69
50/100	2.450	2.550	2.740	3.026	3.340	2.600	62.23	64.77	69.60	76.86	84.84	66.04
55/110	2.700	2.800	2.990	3.276	3.590	2.850	68.58	71.12	75.95	83.21	91.19	72.39
56/112	2.750	2.850	3.040	3.326	3.640	2.900	69.85	72.39	77.22	84.48	92.46	73.66
60/120	2.950	3.050	3.240	3.526	3.840	3.100	74.93	77.47	82.30	89.56	97.54	78.74
62/124	3.050	3.150	3.340	3.626	3.940	3.200	77.47	80.01	84.84	92.10	100.08	81.28
64/128	3.150	3.250	3.440	3.726	4.040	3.300	80.01	82.55	87.38	94.64	102.62	83.82
65/130	3.200	3.300	3.490	3.776	4.090	3.350	81.28	83.82	88.65	95.91	103.89	85.09
66/132	3.250	3.350	3.540	3.826	4.140	3.400	82.55	85.09	89.92	97.18	105.16	86.36
70/140	3.450	3.550	3.740	4.026	4.340	3.600	87.63	90.17	95.00	102.26	110.24	91.44
75/150	3.700	3.800	3.990	4.276	4.590	3.850	93.98	96.52	101.35	108.61	116.59	97.79
79/158	3.900	4.000	4.190	4.476	4.790	4.050	99.06	101.60	106.43	113.69	121.67	102.87
80/160	3.950	4.050	4.240	4.526	4.840	4.100	100.33	102.87	107.70	114.96	122.94	104.14
81/162	4.000	4.100	4.290	4.576	4.890	4.150	101.60	104.14	108.97	116.23	124.21	105.41
85/170*	4.200	4.300	4.490	4.776	5.090	4.350	106.68	109.22	114.05	121.31	129.29	110.49
90/180	4.450	4.550	4.740	5.026	5.340	4.600	113.03	115.57	120.40	127.66	135.64	116.84
92/184*	4.550	4.650	4.840	5.126	5.440	4.700	115.57	118.11	122.94	130.20	138.18	119.38
95/190	4.700	4.800	4.990	5.276	5.590	4.850	119.38	121.92	126.75	134.01	141.99	123.19
96/192*	4.750	4.850	5.040	5.326	5.640	4.900	120.65	123.19	128.02	135.28	143.26	124.46
100/200	4.950	5.050	5.240	5.526	5.840	5.100	125.73	128.27	133.10	140.36	148.34	129.54
105/210	5.200	5.300	5.490	5.776	6.090	5.350	132.08	134.62	139.45	146.71	154.69	135.89
106/212	5.250	5.350	5.540	5.826	6.140	5.400	133.35	135.89	140.72	147.98	155.96	137.16
108/216*	5.350	5.450	5.640	5.926	6.240	5.500	135.89	138.43	143.26	150.52	158.50	139.70
110/220	5.450	5.550	5.740	6.026	6.340	5.600	138.43	140.97	145.80	153.06	161.04	142.24
120/240	5.950	6.050	6.240				151.13	153.67	158.50			154.94

* Consult factory for availability for sizes not shown.

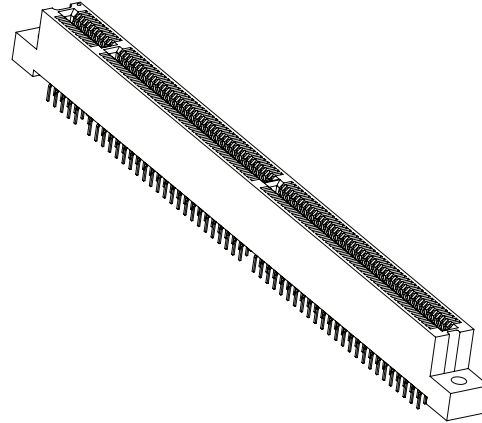
High Density Card Edge

.050" [1.27 mm] Contact Centers, .610" [15.49 mm] Insulator Height, [MCA] Dip Solder/Card Extender/SMT

Industry Standard Part

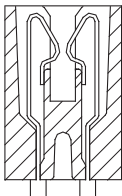
SPECIFICATIONS

- Accommodates $.062" \pm .008"$ [1.57 mm \pm 0.20 mm] PC board (Consult factory for other board thicknesses)
- PPS or PA9T insulator
- Molded-in key available
- High reliability/high cycle hairpin bellow contacts
- 1 Amp current rating per contact for contacts fully energized
- UL Flammability Rating: 94V-0



High Density Card Edge

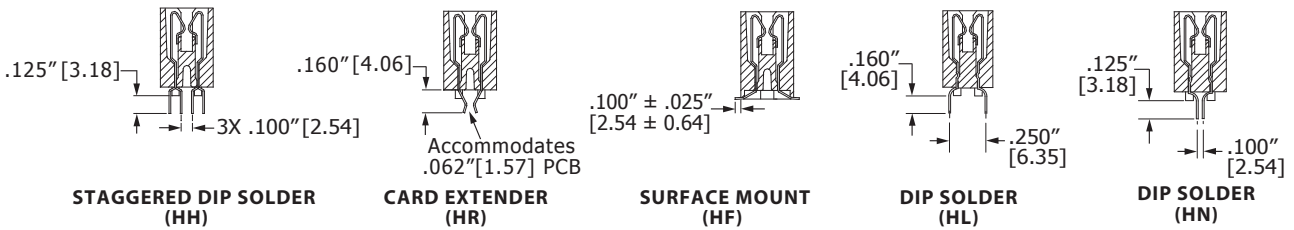
READOUT



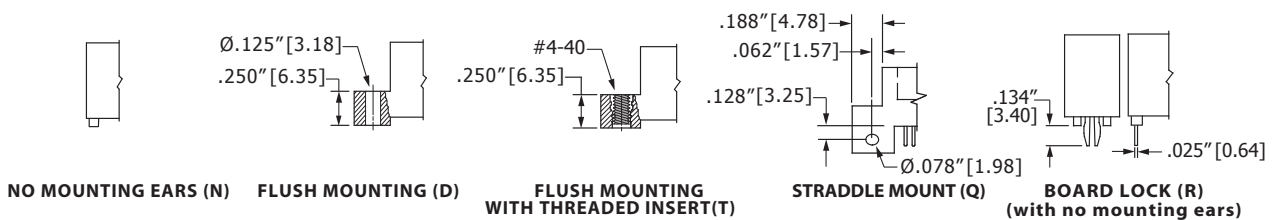
DUAL (D)

TERMINATION TYPE

Consult Factory for PC Board Layouts



MOUNTING STYLE



.050" [1.27 mm] Contact Centers, .610" [15.49 mm] Insulator Height, [MCA] Dip Solder/Card Extender/SMT

Industry Standard Part

High Density Card Edge

PART NUMBER OPTIONS

MATERIALS (INSULATOR/CONTACT)

- G = PA9T/Phosphor Bronze
- R = PPS/Phosphor Bronze
- J = PA9T/Beryllium Copper
- A = PPS/Beryllium Copper

Refer to Page 7 for Operating/Processing Temperatures

CONTACT FINISH - RoHS Compliant

All platings are Lead Free and have .000050" Nickel underplate

Contact Surface	Termination
B = .000010" Gold	.000100" Pure Tin, Matte
C = .000030" Gold	.000100" Pure Tin, Matte

CONTACT CENTERS

B = .050" [1.27 mm]

NUMBER OF CONTACT POSITIONS

56, 66, 91, 106

G B B 56 D HH D - S578

MODIFICATION (Consult Factory)

- S578 = Card Slot Barriers With Guide Posts
- S621 = Card Slot Barriers Without Guide Posts

MOUNTING STYLE

- N = No Mounting
- D = Flush Mounting
- T = Flush Mounting With Threaded Insert
- Q = Straddle Mount (Card Extender Only - Consult Factory)
- R = Metal Board Lock

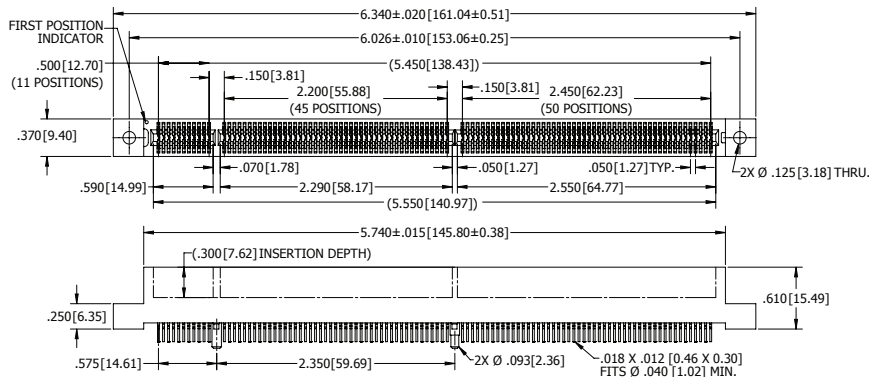
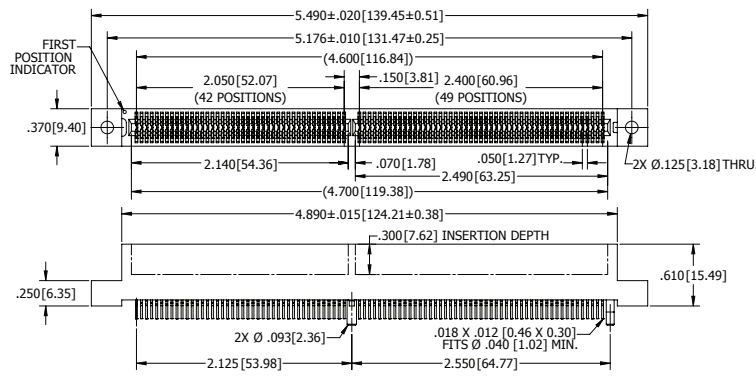
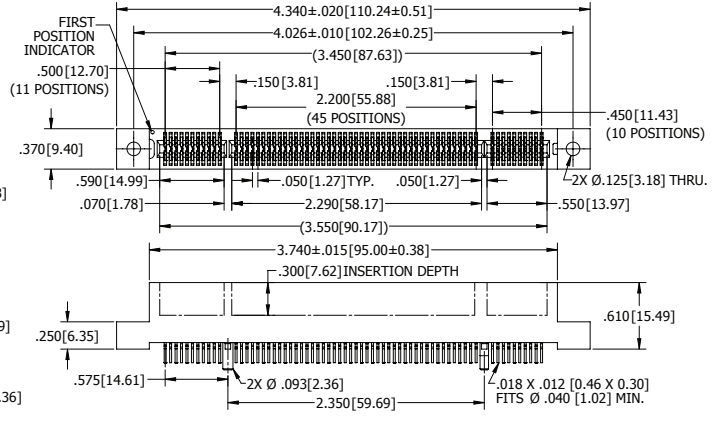
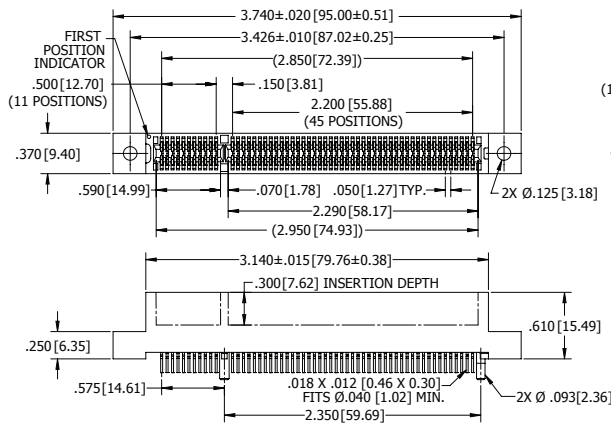
TERMINATION TYPE

- HH = Staggered Dip Solder
- HR = Card Extender
- HF = Surface Mount
- HL = .250" [6.35] X .160" [4.06] Dip Solder
- HN = .100" [2.54] X .125" [3.18] Dip Solder

READOUT

D = Dual

DIMENSIONS Dimensions in [] are in millimeters, all others are in inches.



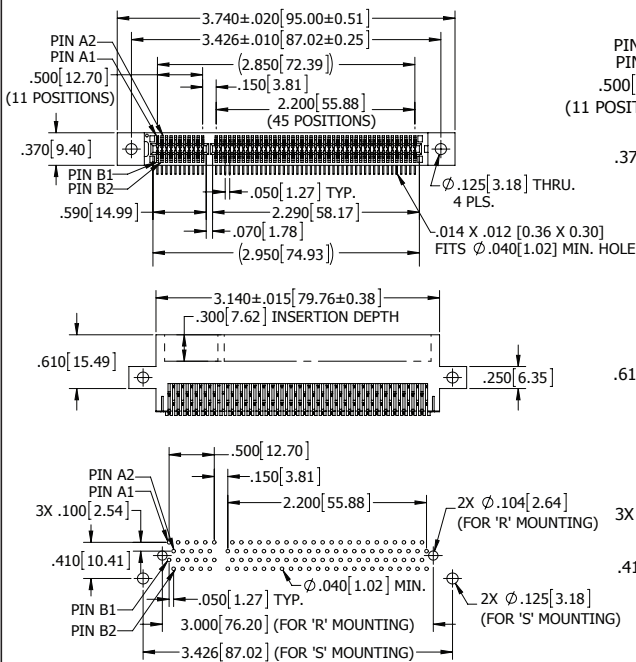
High Density Card Edge

.050" [1.27 mm] Contact Centers, .915" [23.24 mm] Insulator Height, [MCA] Right Angle

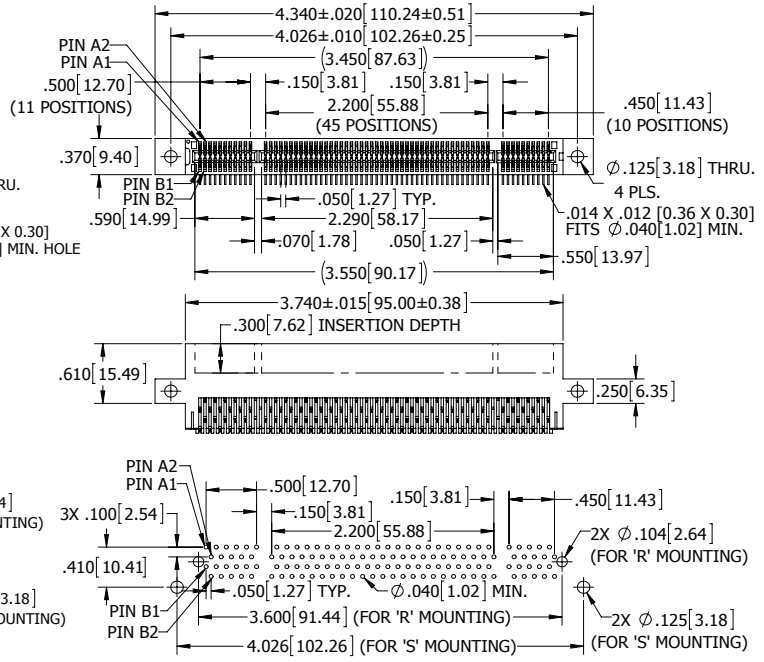
Industry Standard Part

High Density Card Edge

DIMENSIONS Dimensions in [] are in millimeters, all others are in inches.

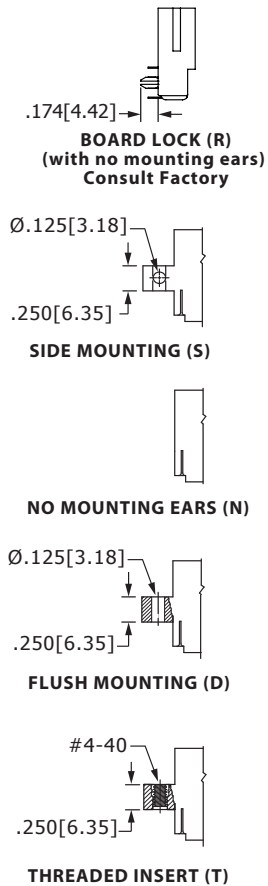


GBB56DHAS-S621, 56(11/45) POSITIONS

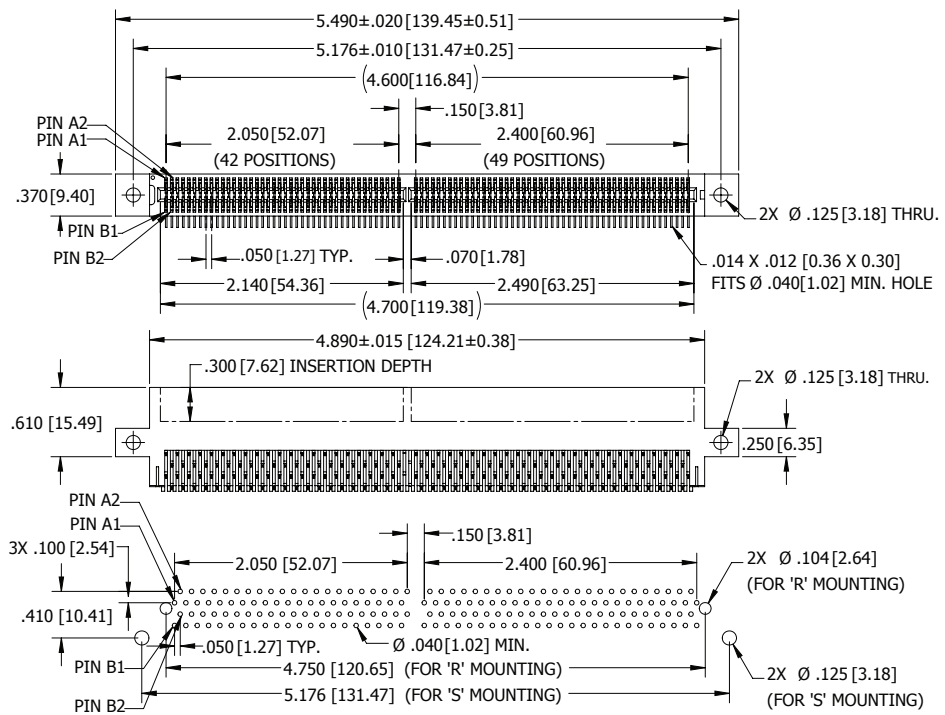


GBB66DHAS-S621, 66(11/45/10) POSITIONS

MOUNTING STYLE



DIMENSIONS Dimensions in [] are in millimeters, all others are in inches.



GBB91DHAS-S621, 91 (42/49) POSITIONS

Industry Standard Part

PART NUMBER OPTIONS

MATERIALS (INSULATOR/CONTACT)

- G = PA9T/Phosphor Bronze
- R = PPS/Phosphor Bronze
- J = PA9T/Beryllium Copper
- A = PPS/Beryllium Copper

Refer to Page 7 for Operating/Processing Temperatures

CONTACT FINISH - RoHS Compliant

All platings are Lead Free and have .000050" Nickel underplate

Contact Surface	Termination
B = .000010" Gold	.000100" Pure Tin, Matte
C = .000030" Gold	.000100" Pure Tin, Matte

CONTACT CENTERS

- B = .050" [1.27 mm]

G B B 56 D HA D - S621

MODIFICATION (Consult Factory)

- S621 = Card Slot Barriers Without Guide Posts

MOUNTING STYLE (Opposite Page)

- S = Side Mounting
- D = Flush Mounting
- N = No Mounting
- T = Flush Mounting With Threaded Insert
- R = Metal Board Lock

TERMINATION TYPE

- HA = .100" [2.54 mm] Staggered Right Angle
- HB = .170" [4.32 mm] Staggered Right Angle

READOUT

- D = Dual

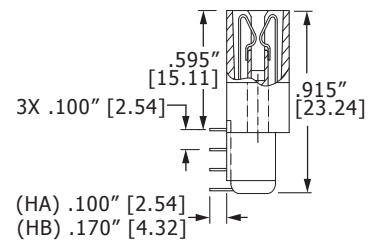
NUMBER OF CONTACT POSITIONS

- 56 = 11/45
- 66 = 11/45/10
- 91 = 42/49
- 106 = 11/45/50

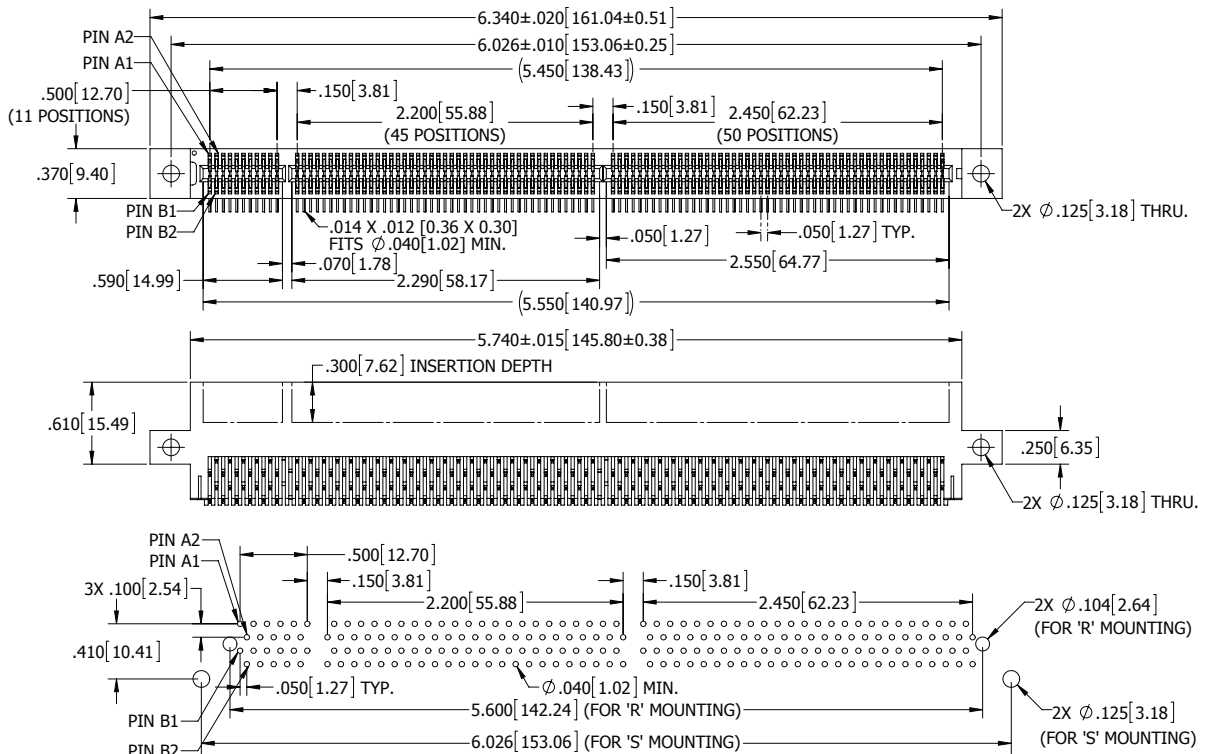
SPECIFICATIONS

- Accommodates .062" ± .008" [1.57 mm ± 0.20 mm] PC board
- PPS or PA9T insulator
- Molded-in key available
- High reliability/high cycle hairpin bellow contacts
- 1 Amp current rating per contact for contacts fully energized
- UL Flammability Rating: 94V-0

TERMINATION TYPE



DIMENSIONS Dimensions in [] are in millimeters, all others are in inches.



BOARD LAYOUT, CONNECTOR SIDE
GGB106DHAS-S621, 106 (11/45/50) POSITIONS

High Density Card Edge

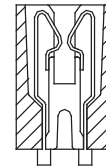
.050" [1.27 mm] Contact Centers, .610" [15.49 mm] Insulator Height, [PCI] Dip Solder/Card Extender/SMT

Industry Standard Part

SPECIFICATIONS

- Accommodates .062" ± .008" [1.57 mm ± 0.20 mm] PC board
- PPS or PA9T insulator
- Molded-in key available
- High reliability/high cycle hairpin bellow contacts
- 1 Amp current rating per contact for contacts fully energized
- UL Flammability Rating: 94V-0

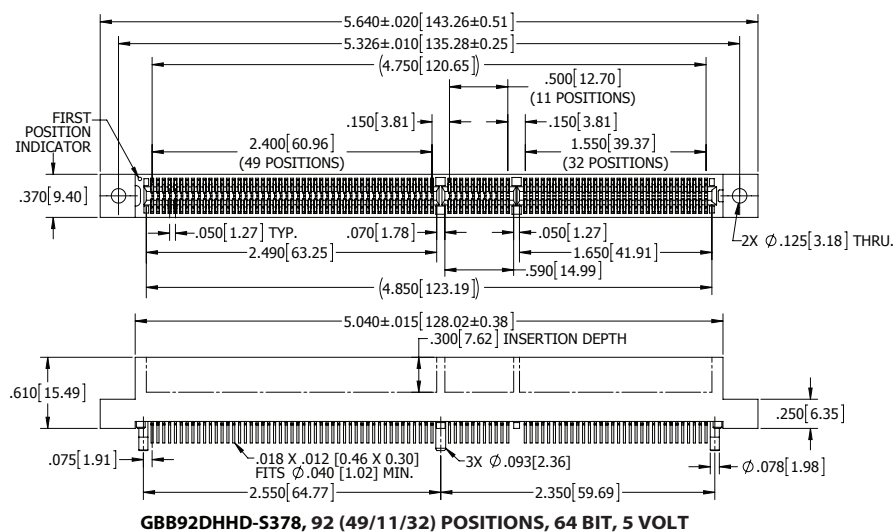
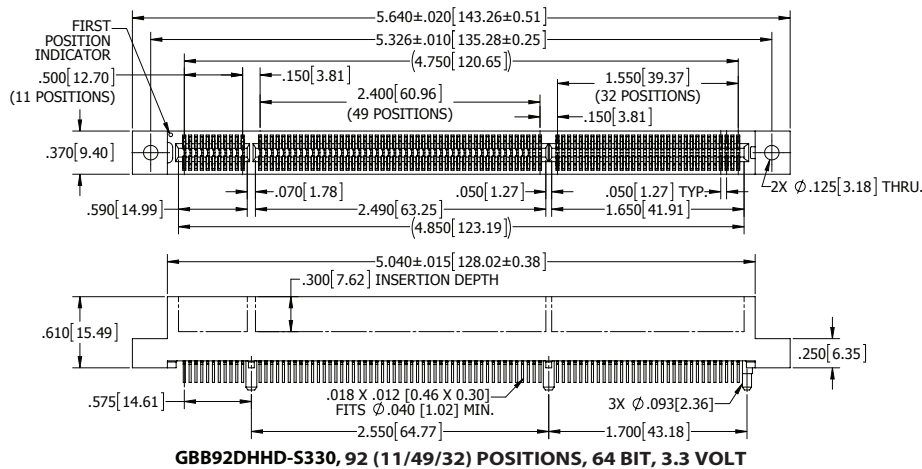
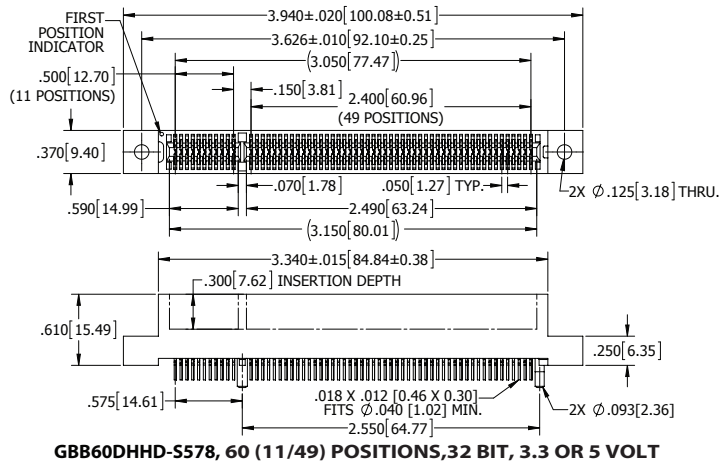
READOUT



DUAL (D)

DIMENSIONS

Dimensions in [] are in millimeters, all others are in inches.



Industry Standard Part

PART NUMBER OPTIONS

G B B 60 D HH D - S578

MATERIALS (INSULATOR/CONTACT)

- G = PA9T/Phosphor Bronze
- R = PPS/Phosphor Bronze
- J = PA9T/Beryllium Copper
- A = PPS/Beryllium Copper

Refer to Page 7 for Operating/Processing Temperatures

CONTACT FINISH - RoHS Compliant

All platings are Lead Free and have .000050" Nickel underplate

Contact Surface	Termination
B = .000010" Gold	.000100" Pure Tin, Matte
C = .000030" Gold	.000100" Pure Tin, Matte

CONTACT CENTERS

B = .050" [1.27 mm]

NUMBER OF CONTACT POSITIONS

- *60 = 11/49 (32 Bit, 3.3 or 5 Volt)
- 92 = 11/49/32 (64 Bit, 3.3 Volt)
- 92 = 49/11/32 (64 Bit, 5 Volt)

READOUT

D = Dual

MODIFICATION (Consult Factory)

PCI WITH GUIDE POSTS

- *-S578 = 60 (11/49) Positions (32 Bit, 3.3 or 5 Volt)
- S330 = 92 (11/49/32) Positions (64 Bit, 3.3 Volt)
- S378 = 92 (49/11/32) Positions (64 Bit, 5 Volt)

PCI WITHOUT GUIDE POSTS

- *-S621 = 60 (11/49) Positions (32 Bit, 3.3 or 5 Volt)
- S329 = 92 (11/49/32) Positions (64 Bit, 3.3 Volt)
- S250 = 92 (49/11/32) Positions (64 Bit, 5 Volt)

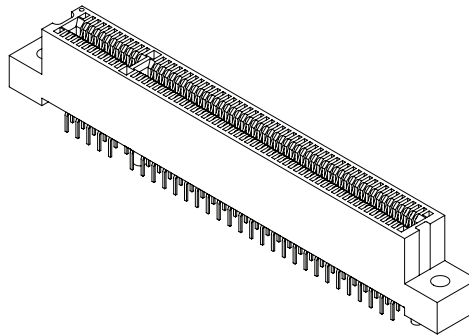
MOUNTING STYLE

- D = Flush Mounting
- N = No Mounting
- T = Flush Mounting With Threaded Insert
- Q = Straddle Mount
(Card Extender Only - Consult Factory)
- R = Metal Board lock

TERMINATION TYPE

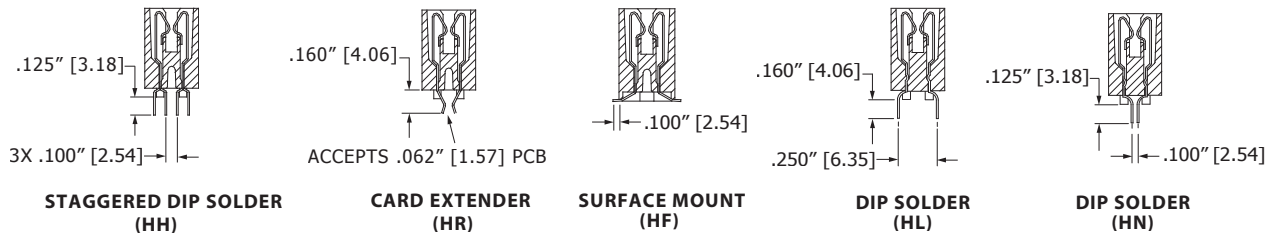
- HH = Staggered Dip Solder
- HR = Card Extender
- HF = Surface Mount
- HL = .250" [6.35 mm] X .160" [4.06 mm] Dip Solder
- HN = .100" [2.54 mm] X .125" [3.18 mm] Dip Solder

*Turn connector or board 180° for 3.3 or 5 Volt

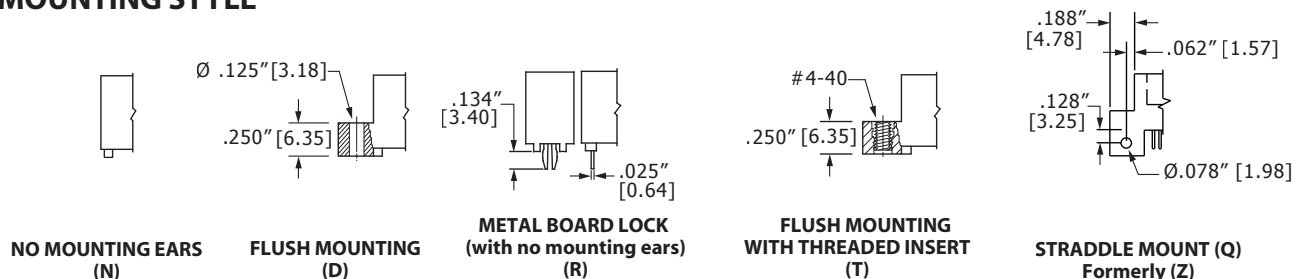


FOR PC BOARD LAYOUTS REFER TO www.sullinscorp.com

TERMINATION TYPE



MOUNTING STYLE



High Density Card Edge

.050" [1.27 mm] Contact Centers, .915" [23.24 mm] Insulator Height, [PCI] Right Angle

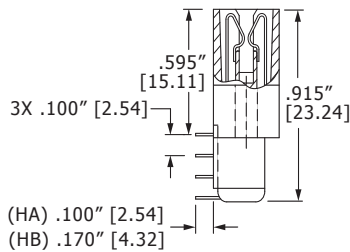
Industry Standard Part

SPECIFICATIONS

- Accommodates .062" ± .008" [1.57 mm ± 0.20 mm] PC board
- PPS or PA9T insulator
- Molded-in key available
- High reliability/high cycle Hairpin bellow contacts
- 1 Amp current rating per contact for contacts fully energized
- UL Flammability Rating: 94V-0

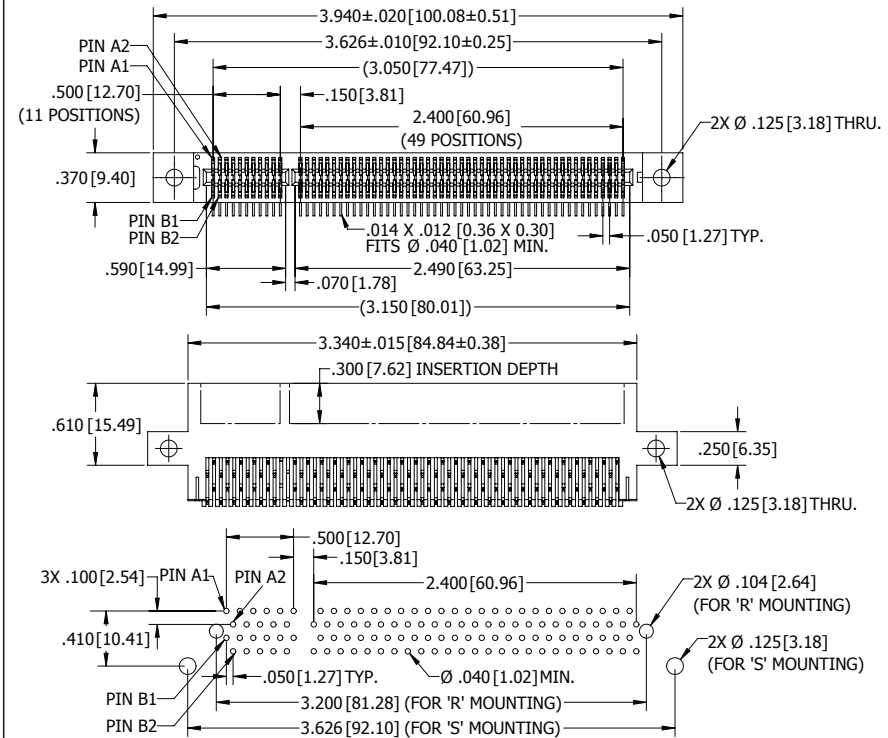
High Density Card Edge

TERMINATION TYPE



DIMENSIONS

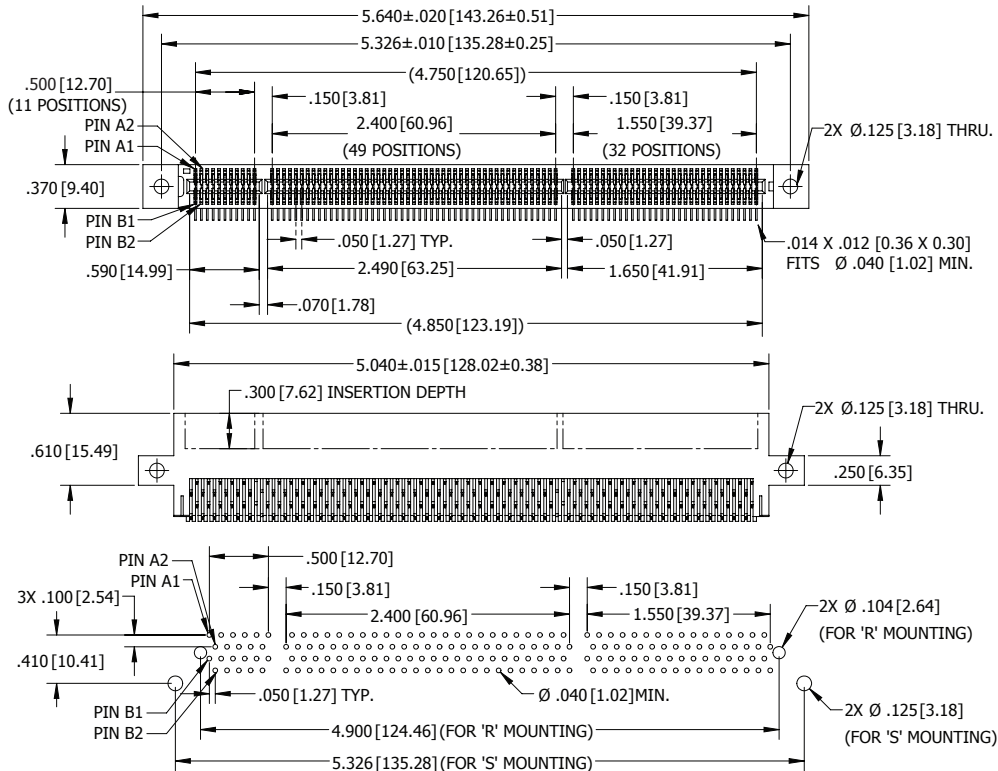
Dimensions in [] are in millimeters, all others are in inches.



BOARD LAYOUT, CONNECTOR SIDE
GBB60DHAS-S1962, 60 (11/49) POSITIONS, 32 BIT, 3.3 VOLT

DIMENSIONS

Dimensions in [] are in millimeters, all others are in inches.



BOARD LAYOUT, CONNECTOR SIDE
GBB92DHAS-S329, 92 (11/49/32) POSITIONS, 64 BIT, 3.3 VOLT

.050" [1.27 mm] Contact Centers, .915" [23.24 mm] Insulator Height, [PCI] Right Angle

Industry Standard Part

PART NUMBER OPTIONS

G B B 60 D H A D - S 793

MATERIALS (INSULATOR/CONTACT)

- G = PA9T/Phosphor Bronze
 - R = PPS/Phosphor Bronze
 - J = PA9T/Beryllium Copper
 - A = PPS/Beryllium Copper
- Refer to Page 7 for Operating/Processing Temperatures

CONTACT FINISH - RoHS Compliant

All platings are Lead Free and have .000050" Nickel underplate

Contact Surface	Termination
B = .000010" Gold	.000100" Pure Tin, Matte
C = .000030" Gold	.000100" Pure Tin, Matte

CONTACT CENTERS

B = .050" [1.27 mm]

NUMBER OF CONTACT POSITIONS

- 60 = 11/49 (32 Bit, 3.3 or 5 Volt)
- 92 = 11/49/32 (64 Bit, 3.3 Volt)
- 92 = 49/11/32 (64 Bit, 5 Volt)

MODIFICATION (Consult Factory)

- S1962 = 60(11/49) Positions (32 Bit, 3.3 Volt), replaces -S621
- S1957 = 60(49/11) Positions (32 Bit, 5 Volt), replaces -S621
- S793 = 60(11/49) Positions Reverse Bend (32 Bit, 3.3 Volt)
- S1958 = 60(49/11) Positions Reverse Bend (32 Bit, 5 Volt)
- S329 = 92(11/49/32) Positions (64 Bit, 3.3 Volt)
- S250 = 92(49/11/32) Positions (64 Bit, 5 Volt)

MOUNTING STYLE

- S = Side Mounting
- D = Flush Mounting
- N = No Mounting
- T = Flush Mounting With Threaded Insert
- R = Metal Board Lock

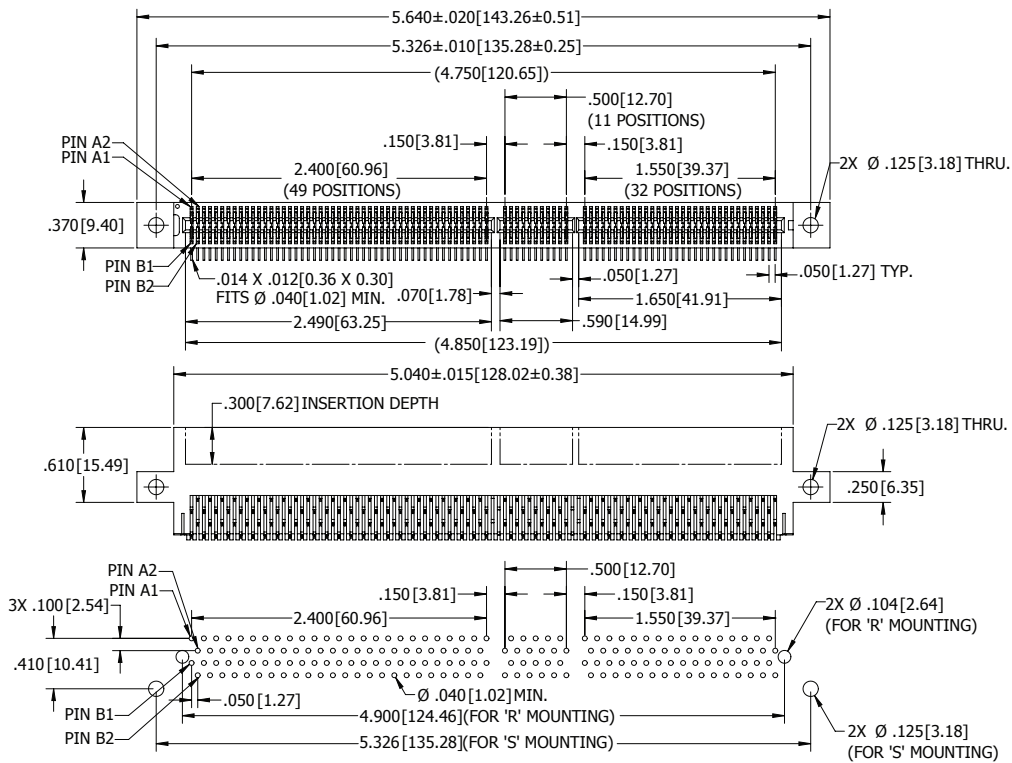
TERMINATION TYPE (Opposite Page)

- HA = .100" [2.54 mm] Staggered Dip Solder
- HB = .170" [4.32 mm] Staggered Dip Solder

READOUT

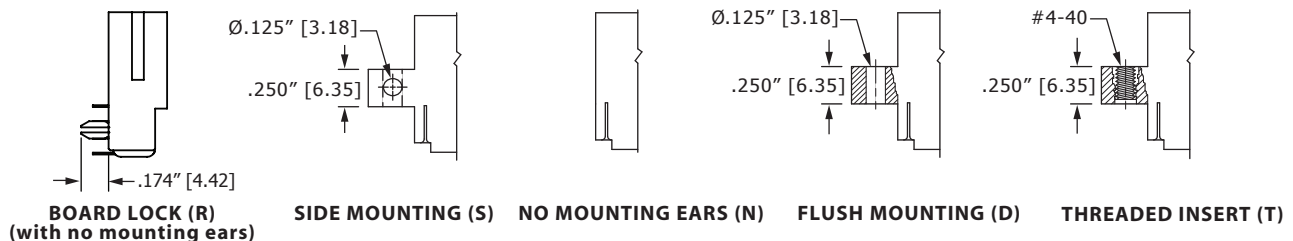
- D = Dual

DIMENSIONS Dimensions in [] are in millimeters, all others are in inches.



BOARD LAYOUT, CONNECTOR SIDE
GBB92DHAS-S250, 92 (49/11/32) POSITIONS, 64 BIT, 5 VOLT

MOUNTING STYLE

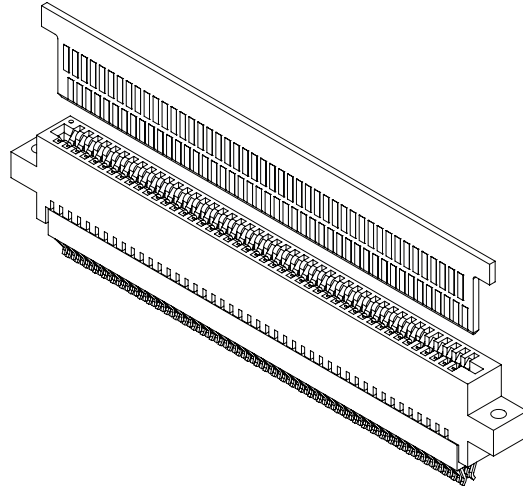


Bi-Level Card Edge

Bi-Level High Density, .050" [1.27 mm] / .100" [2.54 mm] Contact Centers
Card Extender, Dip Solder for .062" [1.57 mm] or .093" [2.36 mm] Mating PCB

SPECIFICATIONS

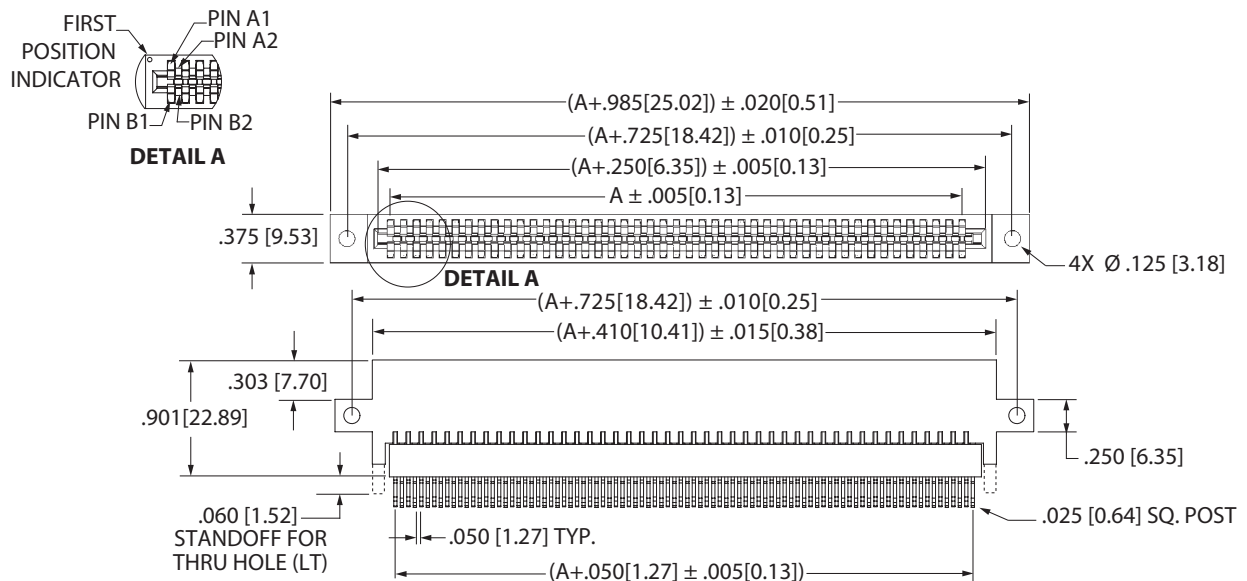
- .050" [1.27 mm] Contact Center Spacing can replace .100" [2.54 mm] Contact Center part to double the number of contacts within the same area
- Backwards Compatible with Daughter Card Side
- Accommodates .062" \pm .008" [1.57 mm \pm 0.20 mm] or .093" \pm .008" [2.36 mm \pm 0.20 mm] mating PCB
- Contact Material: Beryllium Copper or Phosphor Bronze
- Body Material: PA9T
- UL Flammability Rating: 94V-0
- 3 Amps current rating for one contact energized
- High power-per-inch
- Operating Voltage: 225 VAC
- Consult Factory for PC board layouts/technical drawings



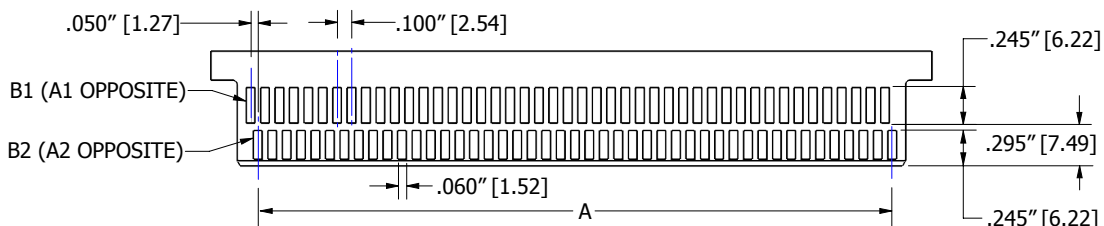
Bi-Level Card Edge

DIMENSIONS

Dimensions in [] are in millimeters, all others are in inches.



DAUGHTER CARD LAYOUT



Bi-Level High Density, .050" [1.27 mm] / .100" [2.54 mm] Contact Centers Card Extender, Dip Solder for .062" [1.57 mm] or .093" [2.36 mm] Mating PCB

Bi-Level Card Edge

PART NUMBER OPTIONS

MATERIALS (INSULATOR/CONTACT)

- G = PA9T/Phosphor Bronze
- J = PA9T/Beryllium Copper

Refer to Page 7 for Operating/Processing Temperatures

CONTACT FINISH - RoHS Compliant

All platings are Lead Free and have .000050" Nickel underplate

Contact Surface

- B = .000010" Gold
- C = .000030" Gold
- Y = .000030" Gold

Termination

- .000100" Pure Tin, Matte
- .000100" Pure Tin, Matte
- .000005" Gold

CONTACT CENTERS

- B = .050" [1.27 mm] / .100" [2.54 mm]

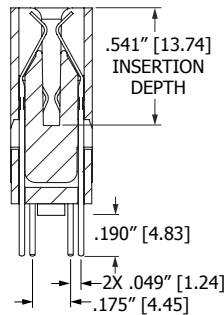
MODIFICATION CODE (Consult Factory)

- OMIT FOR STANDARD
- S1176 = For .093" ± .008" [2.36 ± 0.20] Thick Mating PCB

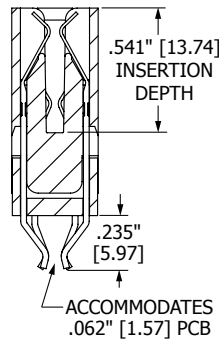
POSITIONS	DIMENSION A (See Opposite Page)		
	No. of Contacts	in	mm
06	12	0.200	5.08
08*	16	0.300	7.62
10	20	0.400	10.16
12	24	0.500	12.70
14*	28	0.600	15.24
16*	32	0.700	17.78
18*	36	0.800	20.32
20	40	0.900	22.86
22*	44	1.000	25.40
24	48	1.100	27.94
26*	52	1.200	30.48
28*	56	1.300	33.02
30	60	1.400	35.56
32*	64	1.500	38.10
34	68	1.600	40.64
36	72	1.700	43.18
38*	76	1.800	45.72
40	80	1.900	48.26
42	84	2.000	50.80
44	88	2.100	53.34
46*	92	2.200	55.88
48*	96	2.300	58.42
50	100	2.400	60.96
52	104	2.500	63.50
54*	108	2.600	66.04
56	112	2.700	68.58
58*	116	2.800	71.12
60	120	2.900	73.66
62*	124	3.000	76.20
64*	128	3.100	78.74
66*	132	3.200	81.28
68*	136	3.300	83.82
70	140	3.400	86.36
72	144	3.500	88.90
74*	148	3.600	91.44
76	152	3.700	93.98
78	156	3.800	96.52
80	160	3.900	99.06
82*	164	4.000	101.60
84*	168	4.100	104.14
86	172	4.200	106.68
88*	176	4.300	109.22
90	180	4.400	111.76
100	200	4.900	124.46
120†	240	5.900	149.86

TERMINATION

DIP SOLDER LT



CARD EXTENDER LR



MOUNTING STYLE

H	MOUNTING HOLES	
S	SIDE MOUNTING HOLES	
I	#4-40 THREADED INSERTS	
A	#4-40 THREADED INSERTS IN SIDE HOLES	
N	NO MOUNTING EARS	
W	FLUSH MOUNTING (LT TERMINATION ONLY)	

* Consult factory for availability. † Available in 'N' mounting only.

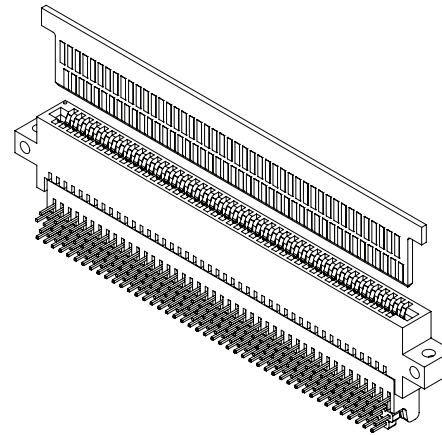
Bi-Level Card Edge

Bi-Level High Density, .050" [1.27 mm] / .100" [2.54 mm] Contact Centers Right Angle for .062" [1.57 mm] or .093" [2.36 mm] Mating PCB

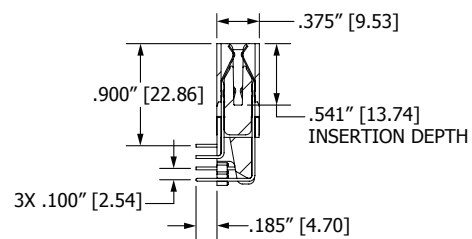
U.S. Patent NO. US 6,790,054 B1

SPECIFICATIONS

- .050" [1.27 mm] Contact Center Spacing can replace .100" [2.54 mm] Contact Center parts to double the number of contacts within the same area
- Backwards Compatible with Daughter Card Side
- Accommodates .062" ± .008" [1.57 mm ± 0.20 mm] or .093" ± .008" [2.36 mm ± 0.20 mm] mating PCB
- Contact Material: Beryllium Copper or Phosphor Bronze
- Body Material: PA9T
- UL Flammability Rating: 94V-0
- 3 Amps current rating for one contact energized
- High power-per-inch
- Operating Voltage: 225 VAC
- Consult Factory for PC board layouts/technical drawings



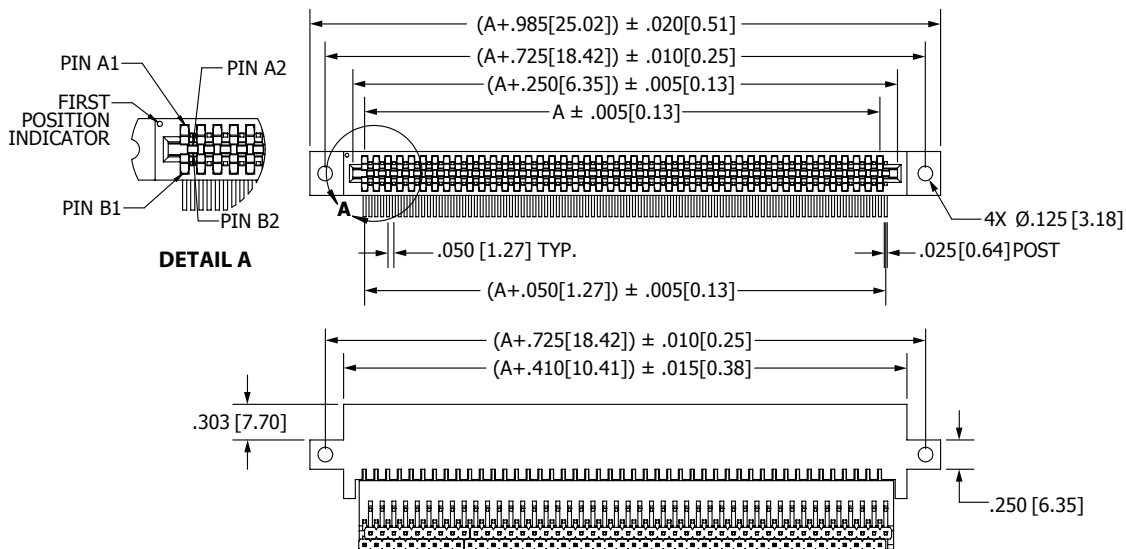
TERMINATION TYPE



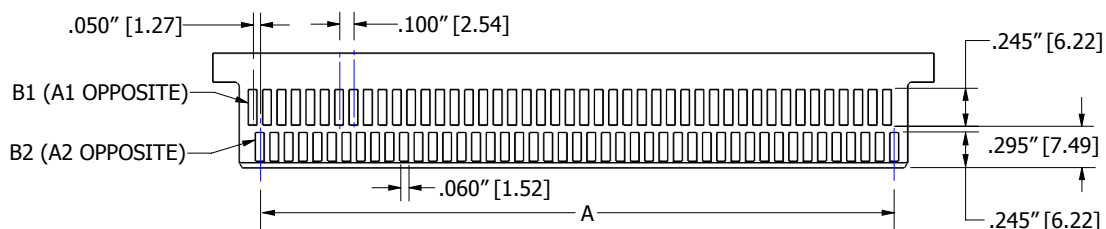
RIGHT ANGLE (KB)

DIMENSIONS

Dimensions in [] are in millimeters, all others are in inches.



DAUGHTER CARD LAYOUT



Bi-Level High Density, .050" [1.27 mm] / .100" [2.54 mm] Contact Centers

U.S. Patent NO. US 6,790,054 B1

Right Angle for .062" [1.57 mm] or .093" [2.36 mm] Mating PCB

PART NUMBER OPTIONS

J C B 10 D KB S - Sxxxx

MATERIALS (INSULATOR/CONTACT)

G = PA9T/Phosphor Bronze

J = PA9T/Beryllium Copper

Refer to Page 7 for Operating/Processing Temperatures

CONTACT FINISH - RoHS Compliant

All platings are Lead Free and have .000050" Nickel underplate

Contact Surface

B = .00010" Gold

C = .00030" Gold

Y = .00030" Gold

Termination

.000100" Pure Tin, Matte

.000100" Pure Tin, Matte

.000005" Gold

CONTACT CENTERS

B = .050" [1.27 mm] / .100" [2.54 mm]

OMIT FOR STANDARD

-S1176 = For .093"±.008" [2.36±0.20]

Thick Mating PCB

-S1075 = Staggered Ears with Side Mounting Holes (Requires 'S' Mounting)

-S1076 = Staggered Ears with #4-40 Threaded Inserts (Requires 'A' Mounting)

POSITIONS	DIMENSION A (See Opposite Page)		
	No. of Contacts	in	mm
06	12	0.200	5.08
08*	16	0.300	7.62
10	20	0.400	10.16
12	24	0.500	12.70
14*	28	0.600	15.24
16*	32	0.700	17.78
18*	36	0.800	20.32
20	40	0.900	22.86
22*	44	1.000	25.40
24	48	1.100	27.94
26*	52	1.200	30.48
28*	56	1.300	33.02
30	60	1.400	35.56
32*	64	1.500	38.10
34	68	1.600	40.64
36	72	1.700	43.18
38*	76	1.800	45.72
40	80	1.900	48.26
42	84	2.000	50.80
44	88	2.100	53.34
46*	92	2.200	55.88
48*	96	2.300	58.42
50	100	2.400	60.96
52	104	2.500	63.50
54*	108	2.600	66.04
56	112	2.700	68.58
58*	116	2.800	71.12
60	120	2.900	73.66
62*	124	3.000	76.20
64*	128	3.100	78.74
66*	132	3.200	81.28
68*	136	3.300	83.82
70	140	3.400	86.36
72	144	3.500	88.90
74*	148	3.600	91.44
76	152	3.700	93.98
78	156	3.800	96.52
80	160	3.900	99.06
82*	164	4.000	101.60
84*	168	4.100	104.14
86	172	4.200	106.68
88*	176	4.300	109.22
90	180	4.400	111.76

* Consult factory for availability.

MOUNTING STYLE		
H	MOUNTING HOLES	Ø .125" [3.18]
S	SIDE MOUNTING HOLES	2X Ø .125" [3.18]
I	#4-40 THREADED INSERTS	#4-40
A	#4-40 THREADED INSERTS IN SIDE HOLES	#4-40
N	NO MOUNTING EARS	

MODIFICATION CODE

(CONSULT FACTORY)

STAGGERED EARS WITH SIDE MOUNTING HOLES (-S1075)

STAGGERED EARS WITH #4-40 THREADED INSERTS (-S1076)

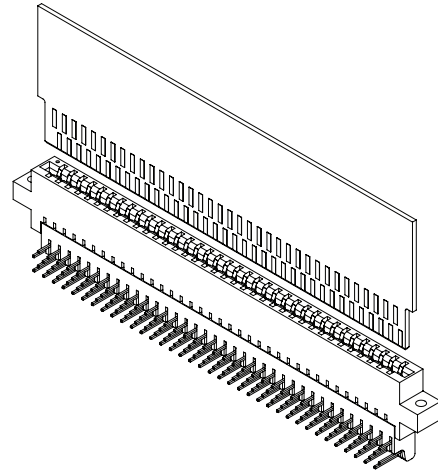
Bi-Level Card Edge

Bi-Level, .078" [1.98 mm] / .156" [3.96 mm] Contact Centers High Density, Right Angle

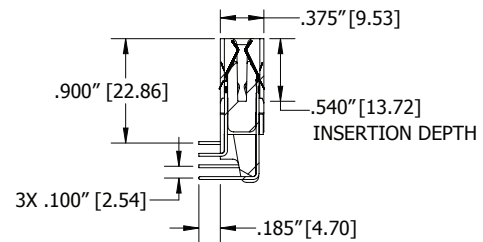
U.S. Patent No. US 6,790,054 B1

SPECIFICATIONS

- .078" [1.98 mm] Contact Center Spacing can replace .156" [3.96 mm] Contact Center parts to double the number of contacts within the same area
- Backwards Compatible with Daughter Card Side
- Accommodates .062" ± .008" [1.57 mm ± 0.20 mm] PC board
- Contact Material: Beryllium Copper or Phosphor Bronze
- Body Material: PA9T
- UL Flammability Rating: 94V-0
- 3 Amps current rating for one contact energized
- High power-per-inch
- 75 grams minimum contact normal force
- Operating Voltage: 450 VAC
- Consult Factory for PC board layouts/technical drawings



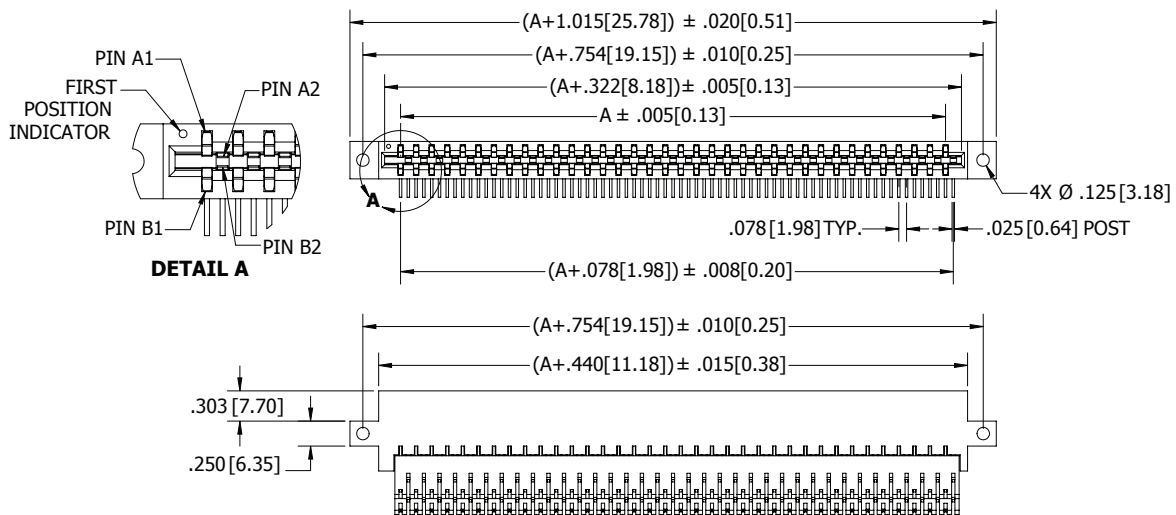
TERMINATION TYPE



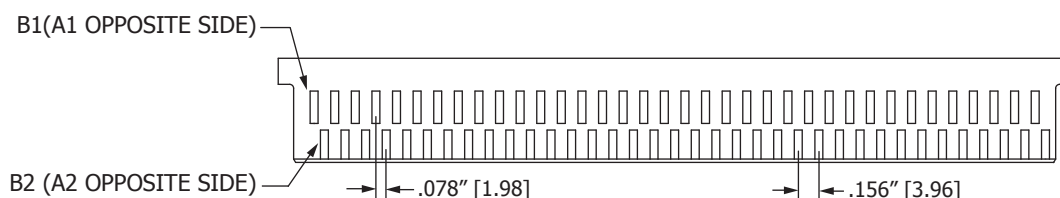
RIGHT ANGLE (KB)

DIMENSIONS

Dimensions in [] are in millimeters, all others are in inches.



DAUGHTER CARD LAYOUT



Bi-Level, .078" [1.98 mm] / .156" [3.96 mm] Contact Centers High Density, Right Angle

U.S. Patent No. US 6,790,054 B1

PART NUMBER OPTIONS

J C K 10 D KB S - Sxxxx

MATERIALS (INSULATOR/CONTACT)

G = PA9T/Phosphor Bronze

J = PA9T/Beryllium Copper

Refer to Page 7 for Operating/Processing Temperatures

CONTACT FINISH - RoHS Compliant

All platings are Lead Free and have .000050" Nickel underplate

Contact Surface

B = .000010" Gold

C = .000030" Gold

Y = .000030" Gold

Termination

.000100" Pure Tin, Matte

.000100" Pure Tin, Matte

.000005" Gold

CONTACT CENTERS

K = .078" [1.98 mm] / .156" [3.96 mm]

OMIT FOR STANDARD

-S1075 = Staggered Ears with Side Mounting Holes (Requires 'S' Mounting)

-S1076 = Staggered Ears with #4-40 Threaded Inserts (Requires 'A' Mounting)

POSITIONS	DIMENSION A (See Opposite Page)		
	No. of Contacts	in	mm
06*	12	0.312	7.92
08*	16	0.468	11.89
10*	20	0.624	15.85
12*	24	0.780	19.81
14*	28	0.936	23.77
16*	32	1.092	27.74
18*	36	1.248	31.70
20	40	1.404	35.66
22*	44	1.560	39.62
24*	48	1.716	43.59
26*	52	1.872	47.55
28*	56	2.028	51.51
30*	60	2.184	55.47
32*	64	2.340	59.44
34*	68	2.496	63.40
36*	72	2.652	67.36
38*	76	2.808	71.32
40*	80	2.964	75.29
42*	84	3.120	79.25
44*	88	3.276	83.21
46*	92	3.432	87.17
48*	96	3.588	91.14
50*	100	3.744	95.10
52*	104	3.900	99.06
54*	108	4.056	103.02
56*	112	4.212	106.98
58*	116	4.368	110.95
60*	120	4.524	114.91
62*	124	4.680	118.87
64*	128	4.836	122.83
66*	132	4.992	126.80
68*	136	5.148	130.76
70*	140	5.304	134.72
72*	144	5.460	138.68

* Consult factory for availability.

MOUNTING STYLE		
H	MOUNTING HOLES	Ø .125" [3.18]
S	SIDE MOUNTING HOLES	2X Ø .125" [3.18]
I	#4-40 THREADED INSERTS	#4-40
A	#4-40 THREADED INSERTS IN SIDE HOLES	#4-40
N	NO MOUNTING EARS	

MODIFICATION CODE (CONSULT FACTORY)	
	STAGGERED EARS WITH SIDE MOUNTING HOLES (-S1075)
	STAGGERED EARS WITH #4-40 THREADED INSERTS (-S1076)

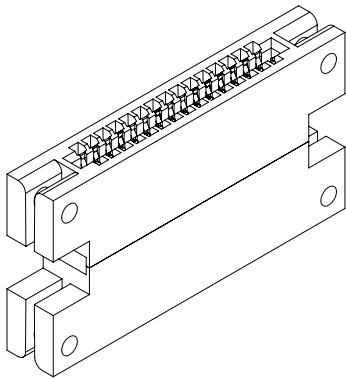
Dual Card Edge

.100" [2.54 mm] Contact Centers, Dual Edge

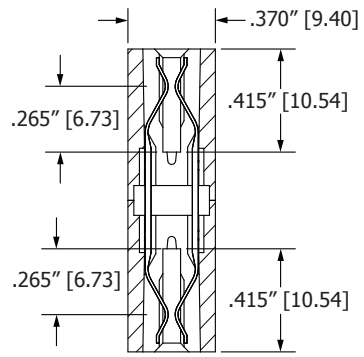
SPECIFICATIONS

- Accommodates .062" ± .008" [1.57 mm ± 0.20 mm] PC board, both sides
- PBT or PPS
- 3 Amps current rating for one contact energized
- 30 milli Ohms maximum at rated current
- UL Flammability Rating: 94V-0

Dual Card Edge

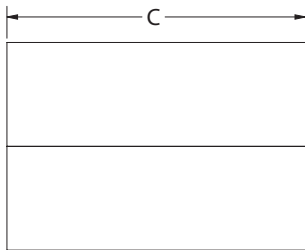


READOUT

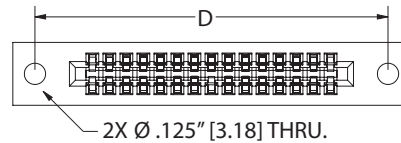


CROSS SECTION

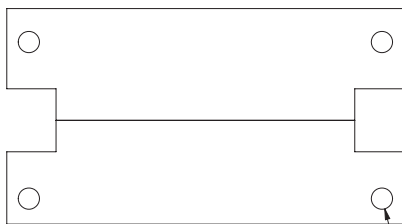
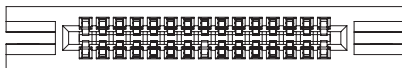
MOUNTING STYLE



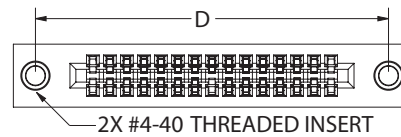
NO MOUNTING EARS (N)



FLUSH MOUNTING (D)



STRADDLE MOUNT (Q)



THREADED INSERT (I)

PART NUMBER OPTIONS

E A C 50 F SL Q - Sxxx

MATERIALS (INSULATOR/CONTACT)
 E = PBT/Phosphor Bronze (Standard)
 R = PPS/Phosphor Bronze
 H = PBT/Beryllium Copper
 A = PPS/Beryllium Copper
 Refer to Page 7 for Operating/Processing Temperatures

CONTACT FINISH - RoHS Compliant
 All platings are Lead Free and have .000050" Nickel underplate
Contact Surface
 A = .000030" Gold, both ends

CONTACT CENTERS
 C = .100" [2.54 mm]

NUMBER OF CONTACT POSITIONS
 See Chart Below (Contacts per Row)

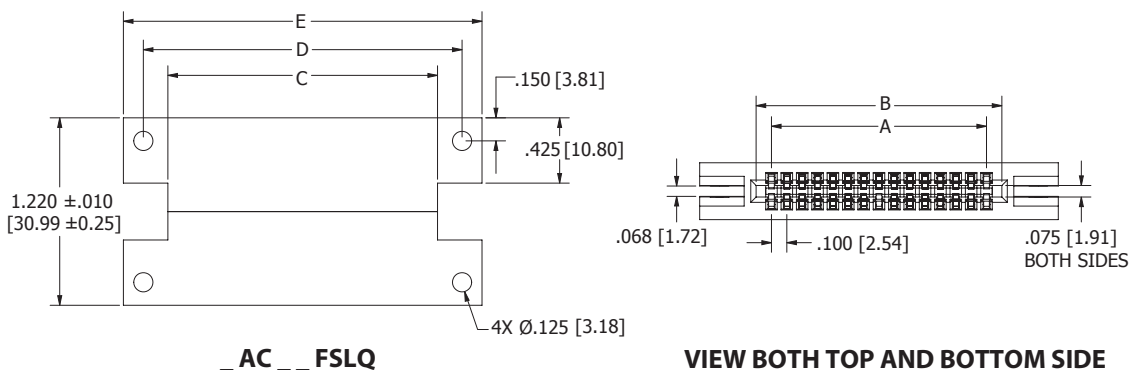
MODIFICATION CODE (Consult Factory)
 OMIT FOR STANDARD

MOUNTING STYLE (Opposite Page)
 Q = Straddle Mount
 D = Flush Mounting
 I = Threaded Insert
 N = No Mounting

TERMINATION TYPE (Opposite Page)
 SL = Single Level

READOUT (Opposite Page)
 F = Dual Edge

DIMENSIONS Dimensions in [] are in millimeters, all others are in inches.



POSITIONS/ CONTACTS	A±.008[0.20]		B±.008[0.20]		C±.015[0.38]		D±.010[0.25]		E±.020[0.25]	
	in	mm	in	mm	in	mm	in	mm	in	mm
05/10	0.400	10.16	0.600	15.24	0.756	19.20	1.075	27.31	1.335	33.91
06/12	0.500	12.70	0.700	17.78	0.856	21.74	1.175	29.85	1.435	36.45
07/14	0.600	15.24	0.800	20.32	0.956	24.28	1.275	32.39	1.535	38.99
10/20	0.900	22.86	1.100	27.94	1.256	31.90	1.575	40.01	1.835	46.61
12/24	1.100	27.94	1.300	33.02	1.456	36.98	1.775	45.09	2.035	51.69
13/26	1.200	30.48	1.400	35.56	1.556	39.52	1.875	47.63	2.135	54.23
15/30	1.400	35.56	1.600	40.64	1.756	44.60	2.075	52.71	2.335	59.31
16/32	1.500	38.10	1.700	43.18	1.856	47.14	2.175	55.25	2.435	61.85
17/34	1.600	40.64	1.800	45.72	1.956	49.68	2.275	57.79	2.535	64.39
18/36	1.700	43.18	1.900	48.26	2.056	52.22	2.375	60.33	2.635	66.93
20/40	1.900	48.26	2.100	53.34	2.256	57.30	2.575	65.41	2.835	72.01
22/44	2.100	53.34	2.300	58.42	2.456	62.38	2.775	70.49	3.035	77.09
23/46	2.200	55.88	2.400	60.96	2.556	64.92	2.875	73.03	3.135	79.63
24/48	2.300	58.42	2.500	63.50	2.656	67.46	2.975	75.57	3.235	82.17
25/50	2.400	60.96	2.600	66.04	2.756	70.00	3.075	78.11	3.335	84.71
26/52	2.500	63.50	2.700	68.58	2.856	72.54	3.175	80.65	3.435	87.25
28/56	2.700	68.58	2.900	73.66	3.056	77.62	3.375	85.73	3.635	92.33
30/60	2.900	73.66	3.100	78.74	3.256	82.70	3.575	90.81	3.835	97.41
31/62	3.000	76.20	3.200	81.28	3.356	85.24	3.675	93.35	3.935	99.95
34/68	3.300	83.82	3.500	88.90	3.656	92.86	3.975	100.97	4.235	107.57
35/70	3.400	86.36	3.600	91.44	3.756	95.40	4.075	103.51	4.335	110.11
36/72	3.500	88.90	3.700	93.98	3.856	97.94	4.175	106.05	4.435	112.65
40/80	3.900	99.06	4.100	104.14	4.256	108.10	4.575	116.21	4.835	122.81
43/86	4.200	106.68	4.400	111.76	4.556	115.72	4.875	123.83	5.135	130.43
44/88	4.300	109.22	4.500	114.30	4.656	118.26	4.975	126.37	5.235	132.97
50/100	4.900	124.46	5.100	129.54	5.256	133.50	5.575	141.61	5.835	148.21
60/120	5.900	149.86	6.100	154.94	6.256	158.90	'N' MOUNTING ONLY			

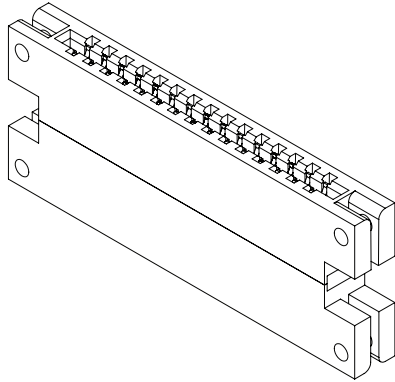
Dual Card Edge

.156" [3.96 mm] Contact Centers, Dual Edge

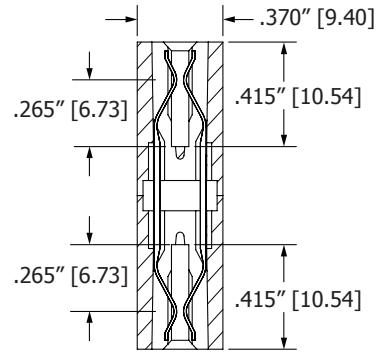
SPECIFICATIONS

- Accommodates $.062" \pm .008"$ [1.57 mm \pm 0.20 mm] PC board, both sides
- PBT or PPS
- 3 Amps current rating for one contact energized
- 30 milli Ohms maximum at rated current
- UL Flammability Rating: 94V-0

Dual Card Edge

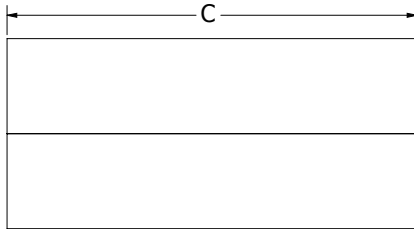


READOUT

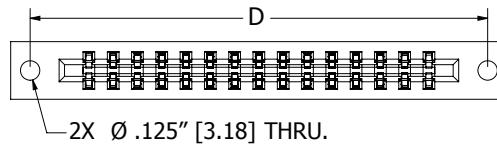


CROSS SECTION

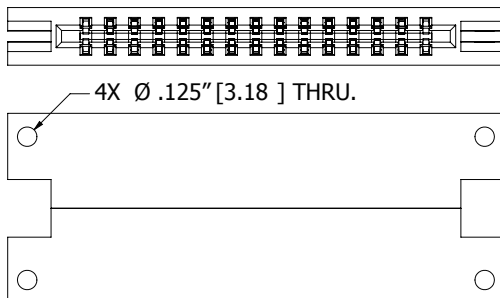
MOUNTING STYLE



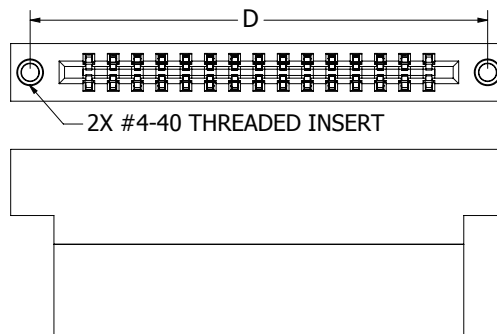
NO MOUNTING EARS (N)



FLUSH MOUNTING (D)



STRADDLE MOUNT (Q)



THREADED INSERT (I)

PART NUMBER OPTIONS

E A M 25 F SL Q - Sxxx

MATERIALS (INSULATOR/CONTACT)
 E = PBT/Phosphor Bronze (Standard)
 R = PPS/Phosphor Bronze
 H = PBT/Beryllium Copper
 A = PPS/Beryllium Copper
 Refer to Page 7 for Operating/Processing Temperatures

CONTACT FINISH - RoHS Compliant
 All platings are Lead Free and have .000050" Nickel underplate Contact Surface
 A = .000030" Gold, both ends.

CONTACT CENTERS
 M = .156" [3.96 mm]

NUMBER OF CONTACT POSITIONS
 See Chart Below (Contacts per Row)

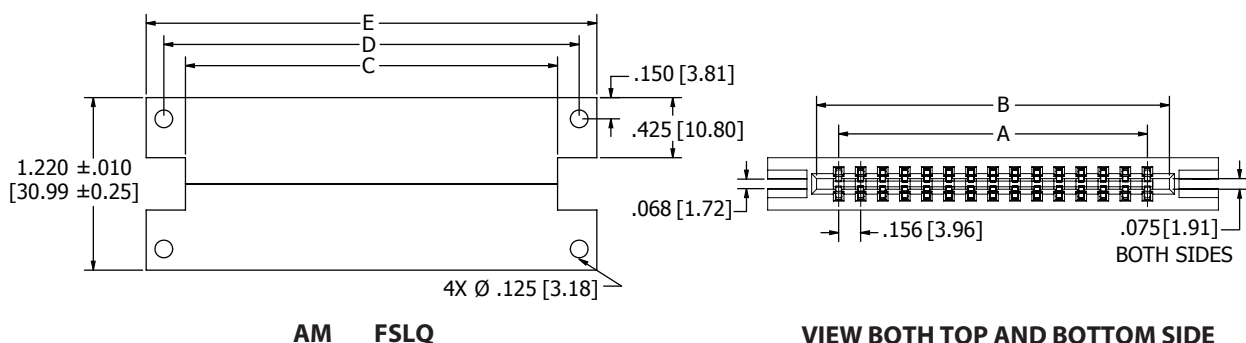
MODIFICATION CODE (Consult Factory)
 OMIT FOR STANDARD

MOUNTING STYLE (Opposite Page)
 Q = Straddle Mount
 D = Flush Mounting
 I = Threaded Insert
 N = No Mounting

TERMINATION TYPE (Opposite Page)
 SL = Single Level

READOUT (Opposite Page)
 F = Dual Edge

DIMENSIONS Dimensions in [] are in millimeters, all others are in inches.



POSITIONS/ CONTACTS	A±.008 [0.20]		B±.008 [0.20]		C±.015 [0.38]		D±.010 [0.25]		E±.020 [0.25]	
	in	mm	in	mm	in	mm	in	mm	in	mm
05/10*	0.624	15.85	0.944	23.98	1.072	27.23	1.378	35.00	1.628	41.35
06/12*	0.780	19.81	1.100	27.94	1.228	31.19	1.534	38.96	1.784	45.31
10/20	1.404	35.66	1.724	43.79	1.852	47.04	2.158	54.81	2.408	61.16
12/24*	1.716	43.59	2.036	51.71	2.164	54.97	2.470	62.74	2.720	69.09
15/30*	2.184	55.47	2.504	63.60	2.632	66.85	2.938	74.63	3.188	80.98
17/34*	2.496	63.40	2.816	71.53	2.944	74.78	3.250	82.55	3.500	88.90
18/36*	2.652	67.36	2.972	75.49	3.100	78.74	3.406	86.51	3.656	92.86
20/40*	2.964	75.29	3.284	83.41	3.412	86.66	3.718	94.44	3.968	100.79
22/44	3.276	83.21	3.596	91.34	3.724	94.59	4.030	102.36	4.280	108.71
25/50*	3.744	95.10	4.064	103.23	4.192	106.48	4.498	114.25	4.748	120.60
28/56*	4.212	106.98	4.532	115.11	4.660	118.36	4.966	126.14	5.216	132.49
30/60*	4.524	114.91	4.844	123.04	4.972	126.29	5.278	134.06	5.528	140.41
35/70*	5.304	134.72	5.624	142.85	5.752	146.10	6.058	153.87	6.308	160.22
36/72*	5.460	138.68	5.780	146.81	5.908	150.06	'N' MOUNTING ONLY			
37/74*	5.616	142.65	5.936	150.77	6.064	154.03				
38/76*	5.772	146.61	6.092	154.74	6.220	157.99				
39/78*	5.928	150.57	6.248	158.70	6.376	161.95				

* Consult factory for availability.

Male Card Edge

1mm [.039"] Contact Centers, 14.48mm [.570"] Insulator Height, Dip Solder/Card Extender

SPECIFICATIONS

- Compatible with 15.49 mm [.610"] Insulator Height Card Edges
- Mates in place of 1.57 mm [.062"] PC board
- PA9T or PPS Insulator
- 1 Amp current rating for one contact energized
- 30 milli Ohms maximum at rated current
- UL Flammability Rating: 94V-0

Operating/Processing Temperature

G = PA9T & Phosphor Bronze

Operating Temperature: -65°C to +150°C

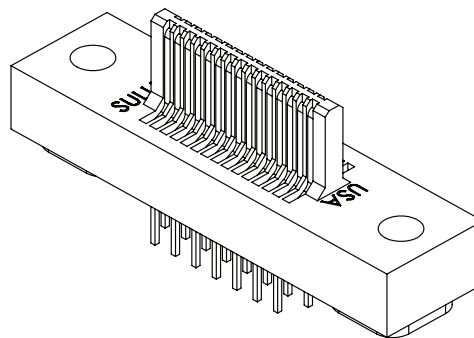
Processing Temperature: 260°C Max. for 20 sec.

R = PPS & Phosphor Bronze

Operating Temperature: -65°C to +200°C

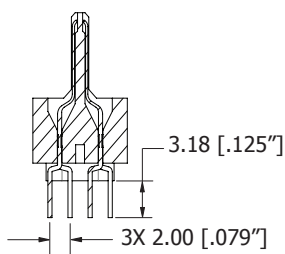
Processing Temperature: 260°C Max. for 20 sec.

Overall Gold Plating Only (Plating code 'M')

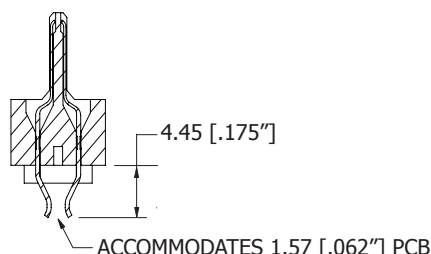


Male Card Edge

TERMINATION TYPE

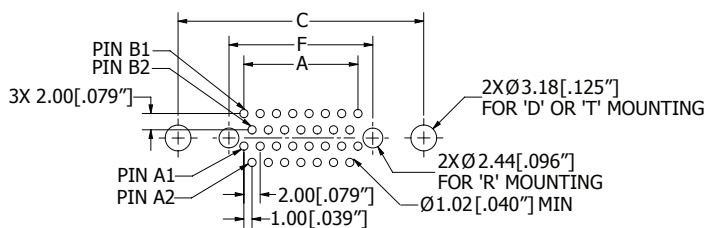


STAGGERED DIP SOLDER (MH)

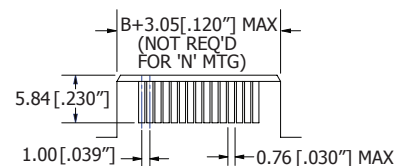


CARD EXTENDER (MR)

PCB LAYOUT

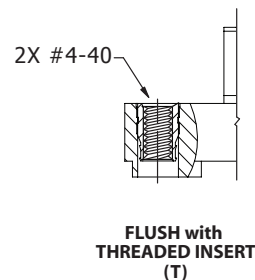
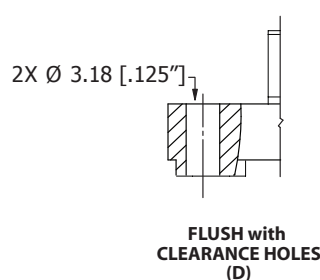
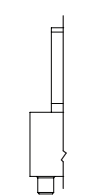
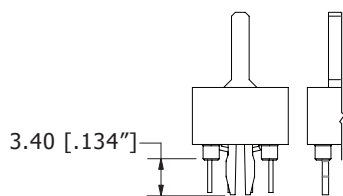


STAGGERED DIP SOLDER (MH)



CARD EXTENDER (MR)

MOUNTING STYLE



1mm [.039"] Contact Centers, 14.48mm [.570"] Insulator Height, Dip Solder/Card Extender

PART NUMBER OPTIONS

MATERIALS (INSULATOR/CONTACT)

G = PA9T/Phosphor Bronze
 R = PPS/ Phosphor Bronze ('M' Plating Only)
 Operating & Processing Temperature: See Opposite Page

CONTACT FINISH - RoHS Compliant

All platings are Lead Free and have .000050" Nickel underplate

Contact Surface	Termination
B = .000010" Gold	.000100" Pure Tin, Matte
C = .000030" Gold	.000100" Pure Tin, Matte
Contact Surface	Overall Plating
M = .000030" Gold	.000010" Gold

CONTACT CENTERS

E = 1mm [.039"]

G B E 25 M MH D - Sxxx

MODIFICATIONS (Consult Factory)
 OMIT FOR STANDARD

MOUNTING STYLE
 (Consult factory for other options)

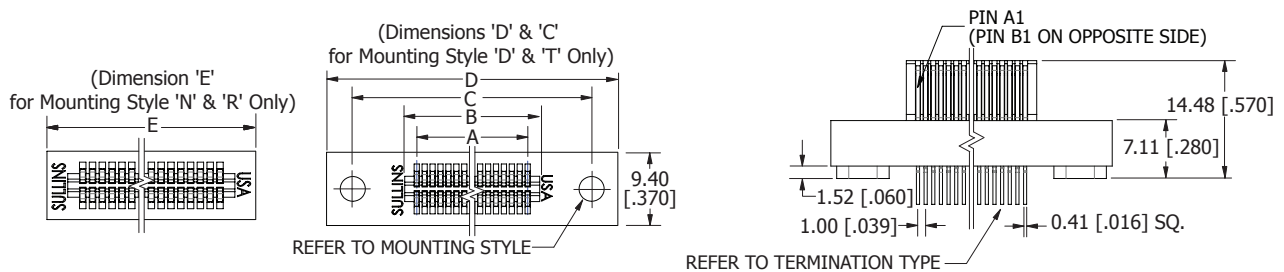
N = No Mounting
 D = .280" Ears, Flush Mounting, 3.18 [.125"] Diameter
 T = .280" Ears, Flush Mounting, #4-40 Threaded Insert
 R = Metal Board Lock (MH Termination Only)

TERMINATION TYPE
 MH = Staggered Dip Solder
 MR = Card Extender

M = Male Card Edge

NUMBER OF CONTACT POSITIONS
 See Chart Below

DIMENSIONS Dimensions in [] are in inches, all others are in millimeters.



POSITIONS/ CONTACTS	MILLIMETERS						INCHES					
	A±0.13	B±0.13	C±0.25	D±0.51	E±0.51 'N' & 'R' Mtg. Only	F±0.25	A±.005	B±.005	C±.010	D±.020	E±.020 'N' & 'R' Mtg. Only	F±.010
02/04	1.00	4.04	17.15	23.78	8.28	4.66	0.039	0.159	0.675	0.936	0.326	0.183
03/06	2.00	5.04	18.15	24.78	9.28	5.66	0.079	0.198	0.715	0.975	0.365	0.223
04/08	3.00	6.04	19.15	25.78	10.28	6.66	0.118	0.238	0.754	1.015	0.405	0.262
05/10	4.00	7.04	20.15	26.78	11.28	7.66	0.157	0.277	0.793	1.054	0.444	0.302
06/12	5.00	8.04	21.15	27.78	12.28	8.66	0.197	0.317	0.833	1.094	0.483	0.341
07/14	6.00	9.04	22.15	28.78	13.28	9.66	0.236	0.356	0.872	1.133	0.523	0.380
08/16	7.00	10.04	23.15	29.78	14.28	10.66	0.276	0.395	0.911	1.172	0.562	0.420
09/18	8.00	11.04	24.15	30.78	15.28	11.66	0.315	0.435	0.951	1.212	0.602	0.459
10/20	9.00	12.04	25.15	31.78	16.28	12.66	0.354	0.474	0.990	1.251	0.641	0.498
11/22	10.00	13.04	26.15	32.78	17.28	13.66	0.394	0.513	1.030	1.290	0.680	0.538
12/24	11.00	14.04	27.15	33.78	18.28	14.66	0.433	0.553	1.069	1.330	0.720	0.577
13/26	12.00	15.04	28.15	34.78	19.28	15.66	0.472	0.592	1.108	1.369	0.759	0.617
14/28	13.00	16.04	29.15	35.78	20.28	16.66	0.512	0.632	1.148	1.409	0.798	0.656
15/30	14.00	17.04	30.15	36.78	21.28	17.66	0.551	0.671	1.187	1.448	0.838	0.695
16/32	15.00	18.04	31.15	37.78	22.28	18.66	0.591	0.710	1.226	1.487	0.877	0.735
17/34	16.00	19.04	32.15	38.78	23.28	19.66	0.630	0.750	1.266	1.527	0.917	0.774
18/36	17.00	20.04	33.15	39.78	24.28	20.66	0.669	0.789	1.305	1.566	0.956	0.813
19/38	18.00	21.04	34.15	40.78	25.28	21.66	0.709	0.828	1.344	1.605	0.995	0.853
20/40	19.00	22.04	35.15	41.78	26.28	22.66	0.748	0.868	1.384	1.645	1.035	0.892
21/42	20.00	23.04	36.15	42.78	27.28	23.66	0.787	0.907	1.423	1.684	1.074	0.931
22/44	21.00	24.04	37.15	43.78	28.28	24.66	0.827	0.946	1.463	1.723	1.113	0.971
23/46	22.00	25.04	38.15	44.78	29.28	25.66	0.866	0.986	1.502	1.763	1.153	1.010
24/48	23.00	26.04	39.15	45.78	30.28	26.66	0.906	1.025	1.541	1.802	1.192	1.050
25/50	24.00	27.04	40.15	46.78	31.28	27.66	0.945	1.065	1.581	1.842	1.231	1.089
26/52	25.00	28.04	41.15	47.78	32.28	28.66	0.984	1.104	1.620	1.881	1.271	1.128
27/54	26.00	29.04	42.15	48.78	33.28	29.66	1.024	1.143	1.659	1.920	1.310	1.168
28/56	27.00	30.04	43.15	49.78	34.28	30.66	1.063	1.183	1.699	1.960	1.350	1.207
29/58	28.00	31.04	44.15	50.78	35.28	31.66	1.102	1.222	1.738	1.999	1.389	1.246
30/60	29.00	32.04	45.15	51.78	36.28	32.66	1.142	1.261	1.778	2.038	1.428	1.286
31/62	30.00	33.04	46.15	52.78	37.28	33.66	1.181	1.301	1.817	2.078	1.468	1.325
32/64	31.00	34.04	47.15	53.78	38.28	34.66	1.220	1.340	1.856	2.117	1.507	1.365
33/66	32.00	35.04	48.15	54.78	39.28	35.66	1.260	1.380	1.896	2.157	1.546	1.404
34/68	33.00	36.04	49.15	55.78	40.28	36.66	1.299	1.419	1.935	2.196	1.586	1.443
35/70	34.00	37.04	50.15	56.78	41.28	37.66	1.339	1.458	1.974	2.235	1.625	1.483
36/72	35.00	38.04	51.15	57.78	42.28	38.66	1.378	1.498	2.014	2.275	1.665	1.522
37/74	36.00	39.04	52.15	58.78	43.28	39.66	1.417	1.537	2.053	2.314	1.704	1.561
38/76	37.00	40.04	53.15	59.78	44.28	40.66	1.457	1.576	2.093	2.353	1.743	1.601
39/78	38.00	41.04	54.15	60.78	45.28	41.66	1.496	1.616	2.132	2.393	1.783	1.640
40/80	39.00	42.04	55.15	61.78	46.28	42.66	1.535	1.655	2.171	2.432	1.822	1.680
41/82	40.00	43.04	56.15	62.78	47.28	43.66	1.575	1.695	2.211	2.472	1.861	1.719
42/84	41.00	44.04	57.15	63.78	48.28	44.66	1.614	1.734	2.250	2.511	1.901	1.758
43/86	42.00	45.04	58.15	64.78	49.28	45.66	1.654	1.773	2.289	2.550	1.940	1.798
44/88	43.00	46.04	59.15	65.78	50.28	46.66	1.693	1.813	2.329	2.590	1.980	1.837
45/90	44.00	47.04	60.15	66.78	51.28	47.66	1.732	1.852	2.368	2.629	2.019	1.876
46/92	45.00	48.04	61.15	67.78	52.28	48.66	1.772	1.891	2.407	2.668	2.058	1.916
47/94	46.00	49.04	62.15	68.78	53.28	49.66	1.811	1.931	2.447	2.708	2.098	1.955
48/96	47.00	50.04	63.15	69.78	54.28	50.66	1.850	1.970	2.486	2.747	2.137	1.994
49/98	48.00	51.04	64.15	70.78	55.28	51.66	1.890	2.009	2.526	2.786	2.176	2.034
50/100	49.00	52.04	65.15	71.78	56.28	52.66	1.929	2.049	2.565	2.826	2.216	2.073

Male Card Edge

.050" [1.27 mm] Contact Centers, .570" [14.48 mm] Insulator Height, Dip Solder/Card Extender

SPECIFICATIONS

- Compatible with .488" [12.40 mm] or .610" [15.49 mm] Insulator Height Card Edges
- Mates in place of .062" [1.57 mm] PC board
- PA9T or PPS Insulator
- 1 Amp current rating for one contact energized
- 30 milli Ohms maximum at rated current
- UL Flammability Rating: 94V-0

Operating/Processing Temperature

G = PA9T & Phosphor Bronze

Operating Temperature: -65°C to +150°C

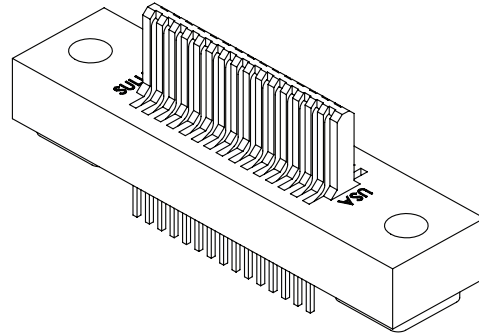
Processing Temperature: 260°C Max. for 20 sec.

R = PPS & Phosphor Bronze

Operating Temperature: -65°C to +200°C

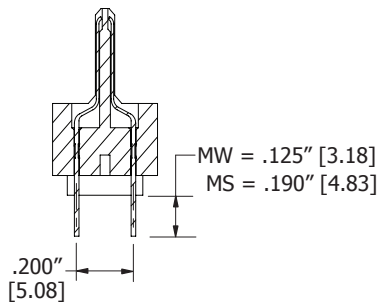
Processing Temperature: 260°C Max. for 20 sec.

Overall Gold Plating Only (Plating code 'M')

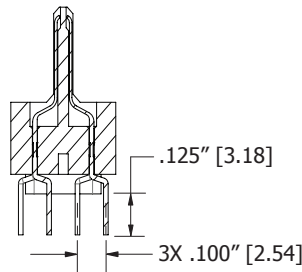


Male Card Edge

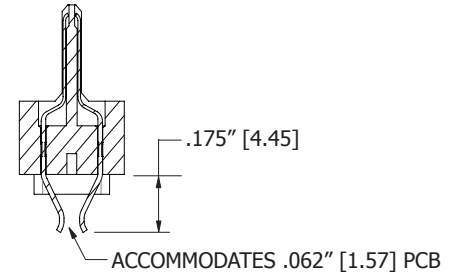
TERMINATION TYPE



DIP SOLDER (MW, MS)

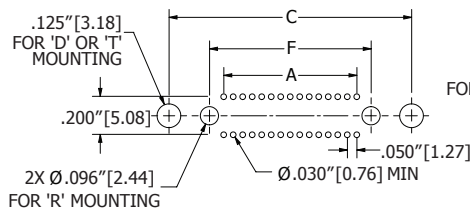


STAGGERED DIP SOLDER (MH)

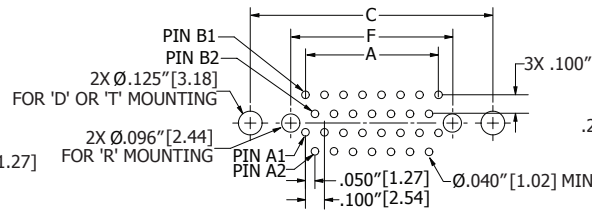


CARD EXTENDER (MR)

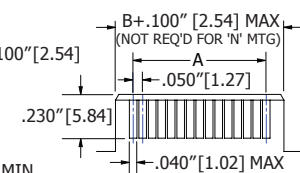
PCB LAYOUT



DIP SOLDER (MW, MS)

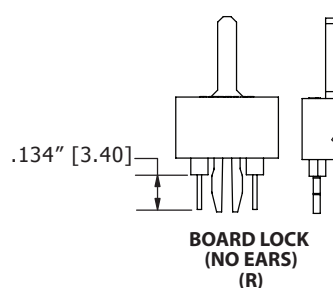


STAGGERED DIP SOLDER (MH)

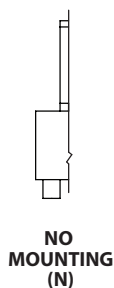


CARD EXTENDER (MR)

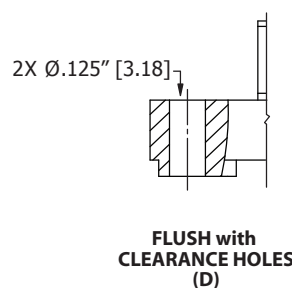
MOUNTING STYLE



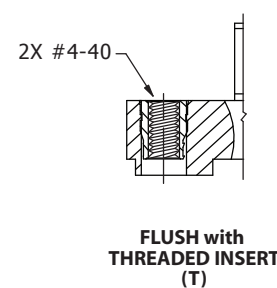
BOARD LOCK (NO EARS) (R)



NO MOUNTING (N)



FLUSH with CLEARANCE HOLES (D)



FLUSH with THREADED INSERT (T)

.050" [1.27mm] Contact Centers, .570" [14.48 mm] Insulator Height, Dip Solder/Card Extender

PART NUMBER OPTIONS

MATERIALS (INSULATOR/CONTACT)

G = PA9T/Phosphor Bronze
 R = PPS/ Phosphor Bronze (Only 'M' Plating Code)
 Operating & Processing Temperature: See Opposite Page

CONTACT FINISH - RoHS Compliant

All platings are Lead Free and have .000050" Nickel underplate

Contact Surface	Termination
B = .00010" Gold	.000100" Pure Tin, Matte
C = .00030" Gold	.000100" Pure Tin, Matte
Contact Surface	Overall Plating
M = .00030" Gold	.000010" Gold
CONTACT CENTERS	
B = .050" [1.27 mm]	

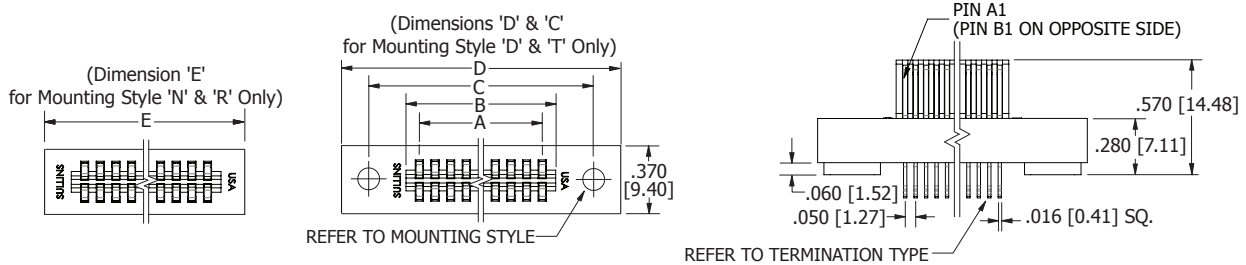
MODIFICATIONS (Consult Factory)
 OMIT FOR STANDARD

MOUNTING STYLE
 (Consult factory for other options)
 N = No Mounting
 D = .280" Ears, Flush Mounting, .125" [3.18] Diameter
 T = .280" Ears, Flush Mounting, #4-40 Threaded Insert
 R = Metal Board Lock
 (MS, MW, MH Termination Only)

TERMINATION TYPE
 MW, MS = Dip Solder
 MH = Staggered Dip Solder
 MR = Card Extender

M = Male Card Edge
NUMBER OF CONTACT POSITIONS
 (Contact factory for positions not shown.)

DIMENSIONS Dimensions in [] are in millimeters, all others are in inches.



POSITIONS/ CONTACTS	INCHES						MILLIMETERS					
	A±.005	B±.005	C±.010	D±.020	E±.020 'N' & 'R' Mtg. Only	F±.010	A±0.13	B±0.13	C±0.25	D±0.51	E±0.51 'N' & 'R' Mtg. Only	F±0.25
05/10	0.200	0.286	0.776	1.036	0.456	0.350	5.08	7.26	19.71	26.31	11.58	8.89
06/12	0.250	0.336	0.826	1.086	0.506	0.400	6.35	8.53	20.98	27.58	12.85	10.16
07/14	0.300	0.386	0.876	1.136	0.556	0.450	7.62	9.80	22.25	28.85	14.12	11.43
08/16	0.350	0.436	0.926	1.186	0.606	0.500	8.89	11.07	23.52	30.12	15.39	12.70
09/18	0.400	0.486	0.976	1.236	0.656	0.550	10.16	12.34	24.79	31.39	16.66	13.97
10/20	0.450	0.536	1.026	1.286	0.706	0.600	11.43	13.61	26.06	32.66	17.93	15.24
11/22	0.500	0.586	1.076	1.336	0.756	0.650	12.70	14.88	27.33	33.93	19.20	16.51
12/24	0.550	0.636	1.126	1.386	0.806	0.700	13.97	16.15	28.60	35.20	20.47	17.78
13/26	0.600	0.686	1.176	1.436	0.856	0.750	15.24	17.42	29.87	36.47	21.74	19.05
14/28	0.650	0.736	1.226	1.486	0.906	0.800	16.51	18.69	31.14	37.74	23.01	20.32
15/30	0.700	0.786	1.276	1.536	0.956	0.850	17.78	19.96	32.41	39.01	24.28	21.59
16/32	0.750	0.836	1.326	1.586	1.006	0.900	19.05	21.23	33.68	40.28	25.55	22.86
17/34	0.800	0.886	1.376	1.636	1.056	0.950	20.32	22.50	34.95	41.55	26.82	24.13
18/36	0.850	0.936	1.426	1.686	1.106	1.000	21.59	23.77	36.22	42.82	28.09	25.40
19/38	0.900	0.986	1.476	1.736	1.156	1.050	22.86	25.04	37.49	44.09	29.36	26.67
20/40	0.950	1.036	1.526	1.786	1.206	1.100	24.13	26.31	38.76	45.36	30.63	27.94
21/42	1.000	1.086	1.576	1.836	1.256	1.150	25.40	27.58	40.03	46.63	31.90	29.21
22/44	1.050	1.136	1.626	1.886	1.306	1.200	26.67	28.85	41.30	47.90	33.17	30.48
23/46	1.100	1.186	1.676	1.936	1.356	1.250	27.94	30.12	42.57	49.17	34.44	31.75
24/48	1.150	1.236	1.726	1.986	1.406	1.300	29.21	31.39	43.84	50.44	35.71	33.02
25/50	1.200	1.286	1.776	2.036	1.456	1.350	30.48	32.66	45.11	51.71	36.98	34.29
26/52	1.250	1.336	1.826	2.086	1.506	1.400	31.75	33.93	46.38	52.98	38.25	35.56
27/54	1.300	1.386	1.876	2.136	1.556	1.450	33.02	35.20	47.65	54.25	39.52	36.83
28/56	1.350	1.436	1.926	2.186	1.606	1.500	34.29	36.47	48.92	55.52	40.79	38.10
29/58	1.400	1.486	1.976	2.236	1.656	1.550	35.56	37.74	50.19	56.79	42.06	39.37
30/60	1.450	1.536	2.026	2.286	1.706	1.600	36.83	39.01	51.46	58.06	43.33	40.64
31/62	1.500	1.586	2.076	2.336	1.756	1.650	38.10	40.28	52.73	59.33	44.60	41.91
32/64	1.550	1.636	2.126	2.386	1.806	1.700	39.37	41.55	54.00	60.60	45.87	43.18
33/66	1.600	1.686	2.176	2.436	1.856	1.750	40.64	42.82	55.27	61.87	47.14	44.45
34/68	1.650	1.736	2.226	2.486	1.906	1.800	41.91	44.09	56.54	63.14	48.41	45.72
35/70	1.700	1.786	2.276	2.536	1.956	1.850	43.18	45.36	57.81	64.41	49.68	46.99
36/72	1.750	1.836	2.326	2.586	2.006	1.900	44.45	46.63	59.08	65.68	50.95	48.26
37/74	1.800	1.886	2.376	2.636	2.056	1.950	45.72	47.90	60.35	66.95	52.22	49.53
38/76	1.850	1.936	2.426	2.686	2.106	2.000	46.99	49.17	61.62	68.22	53.49	50.80
40/80	1.950	2.036	2.526	2.786	2.206	2.100	49.53	51.71	64.16	70.76	56.03	53.34
41/82	2.000	2.086	2.576	2.836	2.256	2.150	50.80	52.98	65.43	72.03	57.30	54.61
44/88	2.150	2.236	2.726	2.986	2.406	2.300	54.61	56.79	69.24	75.84	61.11	58.42
45/90	2.200	2.286	2.776	3.036	2.456	2.350	55.88	58.06	70.51	77.11	62.38	59.69
50/100	2.450	2.536	3.026	3.286	2.706	2.600	62.23	64.41	76.86	83.46	68.73	66.04
55/110	2.700	2.786	3.276	3.536	2.956	2.850	68.58	70.76	83.21	89.81	75.08	72.39
60/120	2.950	3.036	3.526	3.786	3.206	3.100	74.93	77.11	89.56	96.16	81.43	78.74
65/130	3.200	3.286	3.776	4.036	3.456	3.350	81.28	83.46	95.91	102.51	87.78	85.09
70/140	3.450	3.536	4.026	4.286	3.706	3.600	87.63	89.81	102.26	108.86	94.13	91.44
75/150	3.700	3.786	4.276	4.536	3.956	3.850	93.98	96.16	108.61	115.21	100.48	97.79
80/160	3.950	4.036	4.526	4.786	4.206	4.100	100.33	102.51	114.96	121.56	106.83	104.14
85/170	4.200	4.286	4.776	5.036	4.456	4.350	106.68	108.86	121.31	127.91	113.18	110.19
90/180	4.450	4.536	5.026	5.286	4.706	4.600	113.03	115.21	127.66	134.26	119.53	116.84
95/190	4.700	4.786	5.276	5.536	4.956	4.850	119.38	121.56	134.01	140.61	125.88	123.19
100/200	4.950	5.036	5.526	5.786	5.206	5.100	125.73	127.91	140.36	146.96	132.23	129.54
105/210	5.200	5.286	5.776	6.036	5.456	5.350	132.08	134.26	146.71	153.31	138.58	135.89
110/220	5.450	5.536	6.026	6.286	5.706	5.600	138.43	140.61	153.06	159.66	144.93	142.24
120/240	5.950	6.036			6.206	6.100	151.13	153.31			157.63	154.94

Male Card Edge

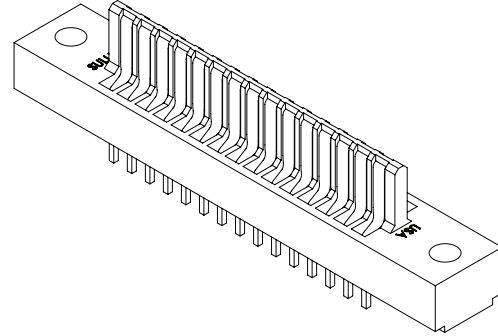
**.100" [2.54 mm] Contact Centers, .540" [13.72 mm] Insulator Height,
Dip Solder/Wire Wrap/Right Angle/Card Extender**

SPECIFICATIONS

- Compatible with .431" [10.95 mm] or .610" [15.49 mm] Insulator Height Card Edges
- Mates in place of .062" [1.57 mm] PC board
- PBT, PA9T, PPS or PEEK Insulator
- 3 Amps current rating for one contact energized
- 30 milli Ohms maximum at rated current
- Consult Factory for other Contact Centers
- UL Flammability Rating: 94V-0

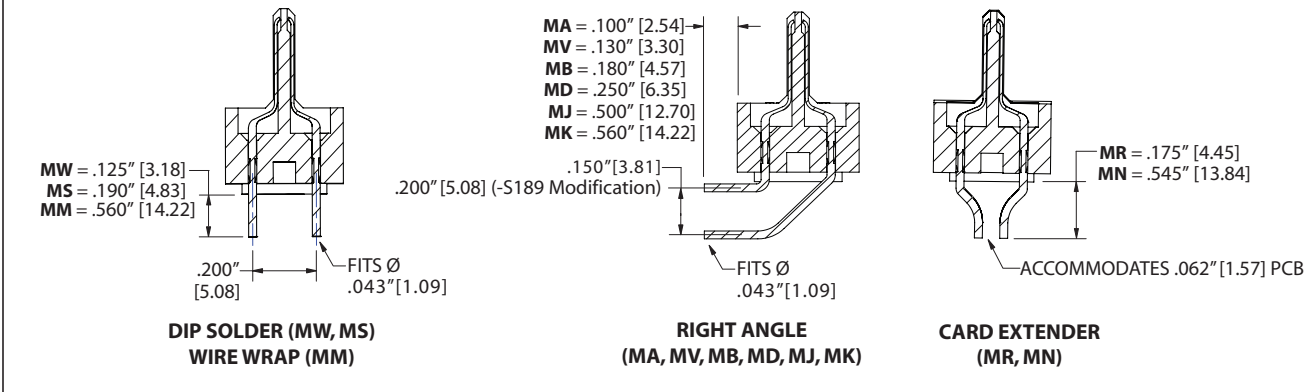
Operating/Processing Temperature

- E = PBT & Phosphor Bronze
 Operating Temperature: -65°C to +125°C
 Processing Temperature: Wave only
- G = PA9T & Phosphor Bronze
 Operating Temperature: -65°C to +150°C
 Processing Temperature: 260°C Max. for 20 sec.
- R = PPS & Phosphor Bronze
 Operating Temperature: -65°C to +150°C ('B' and 'C' Plating Code)
 Operating Temperature: -65°C to +200°C (Only 'M' Plating Code)
 Processing Temperature: 260°C Max. for 20 sec.
- Q = PEEK & Phosphor Bronze
 Operating Temperature: -65°C to +250°C
 Processing Temperature: 260°C Max. for 20 sec.
 Available in Overall Gold (Only 'M' Plating Code)

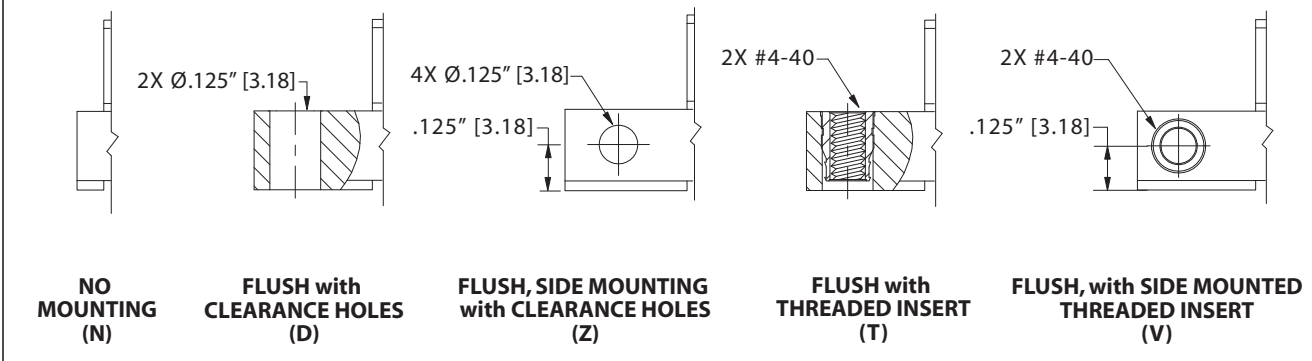


Male Card Edge

TERMINATION TYPE



MOUNTING STYLE



.100" [2.54 mm] Contact Centers, .540" [13.72 mm] Insulator Height, Dip Solder/Wire Wrap/Right Angle/Card Extender

Male Card Edge

PART NUMBER OPTIONS

MATERIALS (INSULATOR/CONTACT)

- E = PBT/Phosphor Bronze
 - G = PA9T/Phosphor Bronze
 - R = PPS/ Phosphor Bronze
 - Q = PEEK/Phosphor Bronze (Only 'M' plating code)
- Operating & Processing Temperature: See Opposite Page

CONTACT FINISH - RoHS Compliant

All platings are Lead Free and have .000050" Nickel underplate

- | Contact Surface | Termination |
|-------------------|--------------------------|
| B = .000010" Gold | .000100" Pure Tin, Matte |
| C = .000030" Gold | .000100" Pure Tin, Matte |
| Contact Surface | Overall Plating |
| M = .000030" Gold | .000010" Gold |

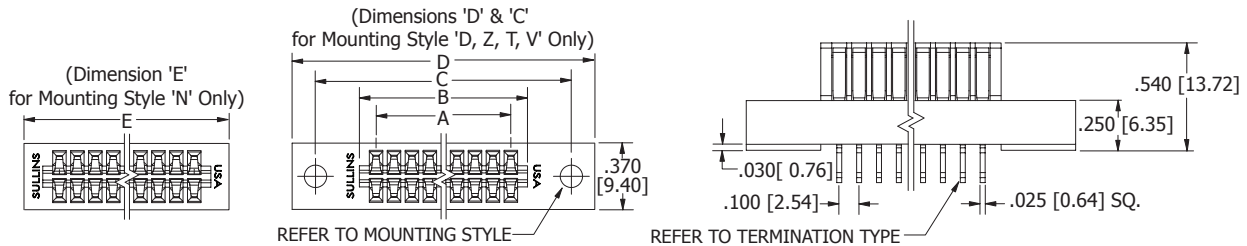
CONTACT CENTERS

- C = .100" [2.54 mm]

E B C 25 M MW D - Sxxx

- MODIFICATIONS** (Consult Factory)
OMIT FOR STANDARD
-S189 = .200" [5.08] Row Spacing (Right Angle Only)
- MOUNTING STYLE**
N = No Mounting
D = .250" Ears, Flush Mounting, .125" [3.18] Diameter
Z = .250" Ears, Flush, Side Mounting
T = .250" Ears, Flush Mounting, #4-40 Threaded Insert
V = Flush, Side Mounting, #4-40 Threaded Insert
- TERMINATION TYPE**
MW, MS = Dip Solder
MM = Wire Wrap
MA, MV, MB = Right Angle
MD, MJ, MK = Right Angle
MR, MN = Card Extender
- M = Male Card Edge**
- NUMBER OF CONTACT POSITIONS**
04 thru 60 Positions
(Contact factory for positions not shown.)

DIMENSIONS Dimensions in [] are in millimeters, all others are in inches.



POSITIONS/ CONTACTS	INCHES					MILLIMETERS				
	A±.008	B±.008	C±.010	D±.020	E±.020 'N' Mtg. Only	A±0.20	B±0.20	C±0.25	D±0.51	E±0.51 'N' Mtg. Only
04/08	0.300	0.486	0.975	1.236	0.656	7.62	12.34	24.77	31.39	16.66
05/10	0.400	0.586	1.075	1.336	0.756	10.16	14.88	27.31	33.93	19.20
06/12	0.500	0.686	1.175	1.436	0.856	12.70	17.42	29.85	36.47	21.74
07/14	0.600	0.786	1.275	1.536	0.956	15.24	19.96	32.39	39.01	24.28
08/16	0.700	0.886	1.375	1.636	1.056	17.78	22.50	34.93	41.55	26.82
09/18	0.800	0.986	1.475	1.736	1.156	20.32	25.04	37.47	44.09	29.36
10/20	0.900	1.086	1.575	1.836	1.256	22.86	27.58	40.01	46.63	31.90
11/22	1.000	1.186	1.675	1.936	1.356	25.40	30.12	42.55	49.17	34.44
12/24	1.100	1.286	1.775	2.036	1.456	27.94	32.66	45.09	51.71	36.98
13/26	1.200	1.386	1.875	2.136	1.556	30.48	35.20	47.63	54.25	39.52
14/28*	1.300	1.486	1.975	2.236	1.656	33.02	37.74	50.17	56.79	42.06
15/30	1.400	1.586	2.075	2.336	1.756	35.56	40.28	52.71	59.33	44.60
16/32	1.500	1.686	2.175	2.436	1.856	38.10	42.82	55.25	61.87	47.14
17/34	1.600	1.786	2.275	2.536	1.956	40.64	45.36	57.79	64.41	49.68
18/36	1.700	1.886	2.375	2.636	2.056	43.18	47.90	60.33	66.95	52.22
19/38	1.800	1.986	2.475	2.736	2.156	45.72	50.44	62.87	69.49	54.76
20/40	1.900	2.086	2.575	2.836	2.256	48.26	52.98	65.41	72.03	57.30
22/44	2.100	2.286	2.775	3.036	2.456	53.34	58.06	70.49	77.11	62.38
23/46	2.200	2.386	2.875	3.136	2.556	55.88	60.60	73.03	79.65	64.92
24/48	2.300	2.486	2.975	3.236	2.656	58.42	63.14	75.57	82.19	67.46
25/50	2.400	2.586	3.075	3.336	2.756	60.96	65.68	78.11	84.73	70.00
26/52	2.500	2.686	3.175	3.436	2.856	63.50	68.22	80.65	87.27	72.54
27/54	2.600	2.786	3.275	3.536	2.956	66.04	70.76	83.19	89.81	75.08
28/56	2.700	2.886	3.375	3.636	3.056	68.58	73.30	85.73	92.35	77.62
29/58	2.800	2.986	3.475	3.736	3.156	71.12	75.84	88.27	94.89	80.16
30/60	2.900	3.086	3.575	3.836	3.256	73.66	78.38	90.81	97.43	82.70
31/62	3.000	3.186	3.675	3.936	3.356	76.20	80.92	93.35	99.97	85.24
32/64	3.100	3.286	3.775	4.036	3.456	78.74	83.46	95.89	102.51	87.78
33/66	3.200	3.386	3.875	4.136	3.556	81.28	86.00	98.43	105.05	90.32
34/68	3.300	3.486	3.975	4.236	3.656	83.82	88.54	100.97	107.59	92.86
35/70	3.400	3.586	4.075	4.336	3.756	86.36	91.08	103.51	110.13	95.40
36/72	3.500	3.686	4.175	4.436	3.856	88.90	93.62	106.05	112.67	97.94
37/74*	3.600	3.786	4.275	4.536	3.956	91.44	96.16	108.59	115.21	100.48
38/76*	3.700	3.886	4.375	4.636	4.056	93.98	98.70	111.13	117.75	103.02
39/78*	3.800	3.986	4.475	4.736	4.156	96.52	101.24	113.67	120.29	105.56
40/80	3.900	4.086	4.575	4.836	4.256	99.06	103.78	116.21	122.83	108.10
41/82*	4.000	4.186	4.675	4.936	4.356	101.60	106.32	118.75	125.37	110.64
42/84*	4.100	4.286	4.775	5.036	4.456	104.14	108.86	121.29	127.91	113.18
43/86*	4.200	4.386	4.875	5.136	4.556	106.68	111.40	123.83	130.45	115.72
44/88	4.300	4.486	4.975	5.236	4.656	109.22	113.94	126.37	132.99	118.26
45/90*	4.400	4.586	5.075	5.336	4.756	111.76	116.48	128.91	135.53	120.80
46/92*	4.500	4.686	5.175	5.436	4.856	114.30	119.02	131.45	138.07	123.34
47/94*	4.600	4.786	5.275	5.536	4.956	116.84	121.56	133.99	140.61	125.88
48/96*	4.700	4.886	5.375	5.636	5.056	119.38	124.10	136.53	143.15	128.42
49/98	4.800	4.986	5.475	5.736	5.156	121.92	126.64	139.07	145.69	130.96
50/100	4.900	5.086	5.575	5.836	5.256	124.46	129.18	141.61	148.23	133.50
52/104*	5.100	5.286	5.775	6.036	5.456	129.54	134.26	146.69	153.31	138.58
55/110*	5.400	5.586	6.075	6.336	5.756	137.16	141.88	154.31	160.93	146.20
56/112*	5.500	5.686			5.856	139.70	144.42			148.74
57/114*	5.600	5.786			5.956	142.24	146.96			151.28
58/116*	5.700	5.886			6.056	144.78	149.50			153.82
59/118*	5.800	5.986			6.156	147.32	152.04			156.36
60/120	5.900	6.086			6.256	149.86	154.58			158.90

* Consult factory for availability.

Male Card Edge

**.156" [3.96 mm] Contact Centers, .540" [13.72 mm] Insulator Height,
Dip Solder/Wire Wrap/Right Angle/Card Extender**

SPECIFICATIONS

- Compatible with .431" [10.95 mm] or .610" [15.49 mm] Insulator Height Card Edges
- Mates in place of .062" [1.57 mm] PC board
- PBT, PA9T, PPS or PEEK Insulator
- 3 Amps current rating for one contact energized
- 30 milli Ohms maximum at rated current
- UL Flammability Rating: 94V-0

Operating/Processing Temperature

E = PBT & Phosphor Bronze

Operating Temperature: -65°C to +125°C

Processing Temperature: Wave only

G = PA9T & Phosphor Bronze

Operating Temperature: -65°C to +150°C

Processing Temperature: 260°C Max. for 20 sec.

R = PPS & Phosphor Bronze

Operating Temperature: -65°C to +150°C ('B' and 'C' Plating Code)

Operating Temperature: -65°C to +200°C (Only 'M' Plating Code)

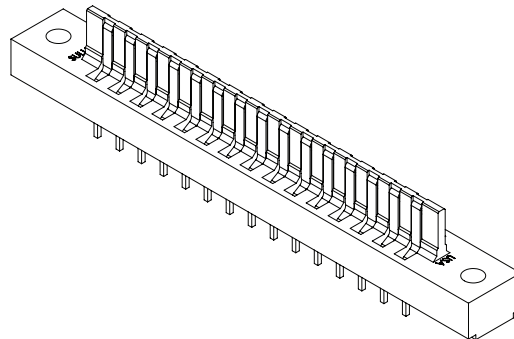
Processing Temperature: 260°C Max. for 20 sec.

Q = PEEK & Phosphor Bronze

Operating Temperature: -65°C to +250°C

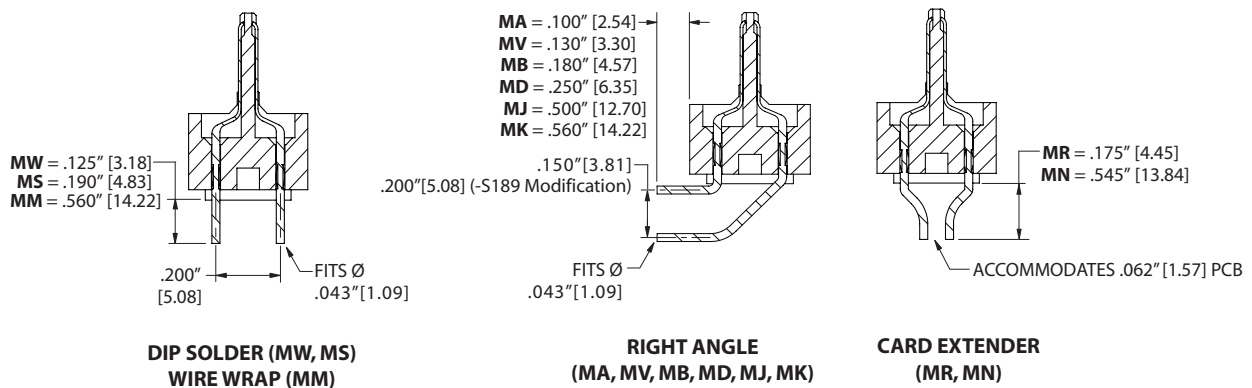
Processing Temperature: 260°C Max. for 20 sec.

Available in Overall Gold (Only 'M' Plating Code)

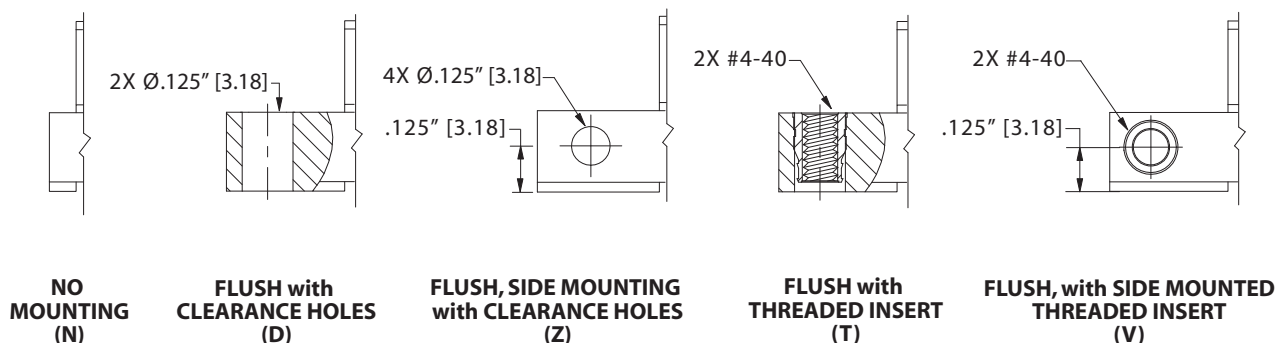


Male Card Edge

TERMINATION TYPE



MOUNTING STYLE



.156" [3.96 mm] Contact Centers, .540" [13.72 mm] Insulator Height, Dip Solder/Wire Wrap/Right Angle/Card Extender

PART NUMBER OPTIONS

MATERIALS (INSULATOR/CONTACT)

- E = PBT/Phosphor Bronze
 - G = PA9T/Phosphor Bronze
 - R = PPS/ Phosphor Bronze
 - Q = PEEK/Phosphor Bronze (Only 'M' plating code)
- Operating & Processing Temperature: See Opposite Page

CONTACT FINISH - RoHS Compliant

All platings are Lead Free and have .000050" Nickel underplate

- | | |
|------------------------|--------------------------|
| Contact Surface | Termination |
| B = .000010" Gold | .000100" Pure Tin, Matte |
| C = .000030" Gold | .000100" Pure Tin, Matte |
| Contact Surface | Overall Plating |
| M = .000030" Gold | .000010" Gold |

CONTACT CENTERS

M = .156" [3.96 mm]

NUMBER OF CONTACT POSITIONS

02 thru 40 Positions

E B M 25 M MW D - Sxxx

MODIFICATIONS (Consult Factory)

- OMIT FOR STANDARD
- S189 = .200" [5.08] Row Spacing (Right Angle Only)

MOUNTING STYLE (Opposite Page)

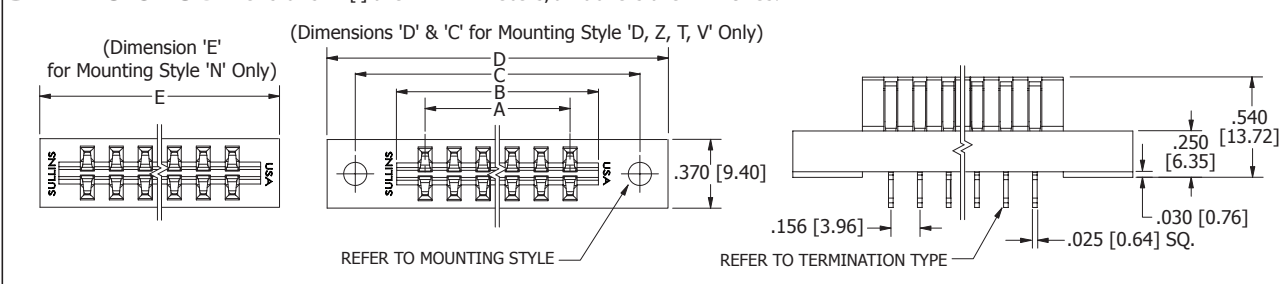
- N = No Mounting
- D = .250" Ears, Flush Mounting, .125" [3.18] Diameter
- Z = .250" Ears, Flush, Side Mounting
- T = .250" Ears, Flush Mounting, #4-40 Threaded Insert
- V = Flush, Side Mounting, #4-40 Threaded Insert

TERMINATION TYPE

- MW, MS = Dip Solder
- MM = Wire Wrap
- MA, MV, MB = Right Angle
- MD, MJ, MK = Right Angle
- MR, MN = Card Extender

M = Male Card Edge

DIMENSIONS Dimensions in [] are in millimeters, all others are in inches.



POSITIONS/ CONTACTS	INCHES					MILLIMETERS				
	A±.008	B±.008	C±.010	D±.020	E±.020 'N' Mtg. Only	A±0.20	B±0.20	C±0.25	D±0.51	E±0.51 'N' Mtg. Only
02/04	0.156	0.462	0.909	1.212	0.632	3.96	11.73	23.09	30.78	16.05
04/08*	0.468	0.774	1.221	1.524	0.944	11.89	19.66	31.01	38.71	23.98
05/10*	0.624	0.930	1.377	1.680	1.100	15.85	23.62	34.98	42.67	27.94
06/12	0.780	1.086	1.533	1.836	1.256	19.81	27.58	38.94	46.63	31.90
07/14*	0.936	1.242	1.689	1.992	1.412	23.77	31.55	42.90	50.60	35.86
08/16*	1.092	1.398	1.845	2.148	1.568	27.74	35.51	46.86	54.56	39.83
09/18*	1.248	1.554	2.001	2.304	1.724	31.70	39.47	50.83	58.52	43.79
10/20	1.404	1.710	2.157	2.460	1.880	35.66	43.43	54.79	62.48	47.75
11/22	1.560	1.866	2.313	2.616	2.036	39.62	47.40	58.75	66.45	51.71
12/24	1.716	2.022	2.469	2.772	2.192	43.59	51.36	62.71	70.41	55.68
13/26	1.872	2.178	2.625	2.928	2.348	47.55	55.32	66.68	74.37	59.64
14/28	2.028	2.334	2.781	3.084	2.504	51.51	59.28	70.64	78.33	63.60
15/30	2.184	2.490	2.937	3.240	2.660	55.47	63.25	74.60	82.30	67.56
16/32	2.340	2.646	3.093	3.396	2.816	59.44	67.21	78.56	86.26	71.53
17/34	2.496	2.802	3.249	3.552	2.972	63.40	71.17	82.52	90.22	75.49
18/36	2.652	2.958	3.405	3.708	3.128	67.36	75.13	86.49	94.18	79.45
19/38	2.808	3.114	3.561	3.864	3.284	71.32	79.10	90.45	98.15	83.41
20/40	2.964	3.270	3.717	4.020	3.440	75.29	83.06	94.41	102.11	87.38
21/42	3.120	3.426	3.873	4.176	3.596	79.25	87.02	98.37	106.07	91.34
22/44	3.276	3.582	4.029	4.332	3.752	83.21	90.98	102.34	110.03	95.30
23/46	3.432	3.738	4.185	4.488	3.908	87.17	94.95	106.30	114.00	99.26
24/48	3.588	3.894	4.341	4.644	4.064	91.14	98.91	110.26	117.96	103.23
25/50	3.744	4.050	4.497	4.800	4.220	95.10	102.87	114.22	121.92	107.19
26/52	3.900	4.206	4.653	4.956	4.376	99.06	106.83	118.19	125.88	111.15
27/54	4.056	4.362	4.809	5.112	4.532	103.02	110.79	122.15	129.84	115.11
28/56	4.212	4.518	4.965	5.268	4.688	106.98	114.76	126.11	133.81	119.08
29/58*	4.368	4.674	5.121	5.424	4.844	110.95	118.72	130.07	137.77	123.04
30/60*	4.524	4.830	5.277	5.580	5.000	114.91	122.68	134.04	141.73	127.00
31/62*	4.680	4.986	5.433	5.736	5.156	118.87	126.64	138.00	145.69	130.96
32/64*	4.836	5.142	5.589	5.892	5.312	122.83	130.61	141.96	149.66	134.92
33/66*	4.992	5.298	5.745	6.048	5.468	126.80	134.57	145.92	153.62	138.89
34/68	5.148	5.454	5.901	6.204	5.624	130.76	138.53	149.89	157.58	142.85
35/70	5.304	5.610	6.057	6.360	5.780	134.72	142.49	153.85	161.54	146.81
36/72	5.460	5.766	6.213	6.516	5.936	138.68	146.46	157.81	165.51	150.77
37/74	5.616	5.922			6.092	142.65	150.42			154.74
38/76	5.772	6.078	'N' Mounting Only		6.248	146.61	154.38	'N' Mounting Only		158.70
39/78*	5.928	6.234			6.404	150.57	158.34			162.66
40/80*	6.084	6.390			6.560	154.53	162.31			166.62

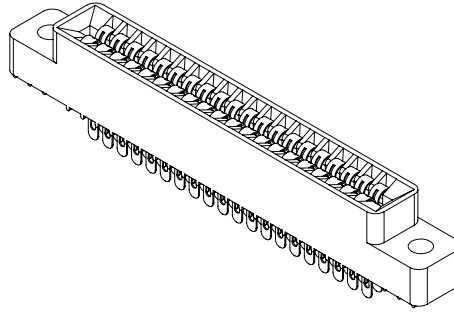
* Consult factory for availability.

Female Card Edge

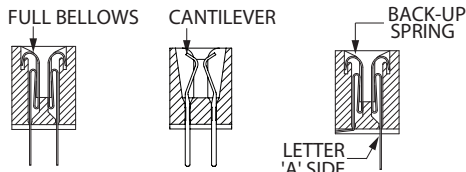
**.100" [2.54 mm] Contact Centers, .431" [10.95 mm] Insulator Height,
Dip Solder/Eyelet/Right Angle for .062" [1.57 mm] or .031" [0.79 mm] Mating PCB**

SPECIFICATIONS

- Accommodates .062" ± .008" [1.57 mm ± 0.20 mm] or .031" ± .006" [0.79 mm ± 0.15 mm] mating PCB (for .093" [2.36 mm] PC board see following pages)
- PBT, PPS, PA9T or PEEK insulator
- Molded-in key available
- 3 Amps current rating for one contact energized
- 30 milli Ohms maximum at rated current
- UL Flammability Rating: 94V-0



READOUT

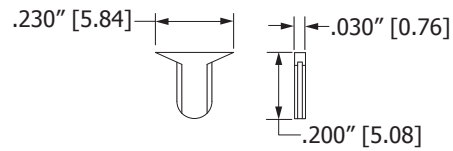


DUAL (D)

HALF LOADED (H)

POLARIZING KEYS (For .062" Mating PCB Only)

**PLA-K1
KEY IN BETWEEN CONTACTS
(ORDER SEPARATELY)**

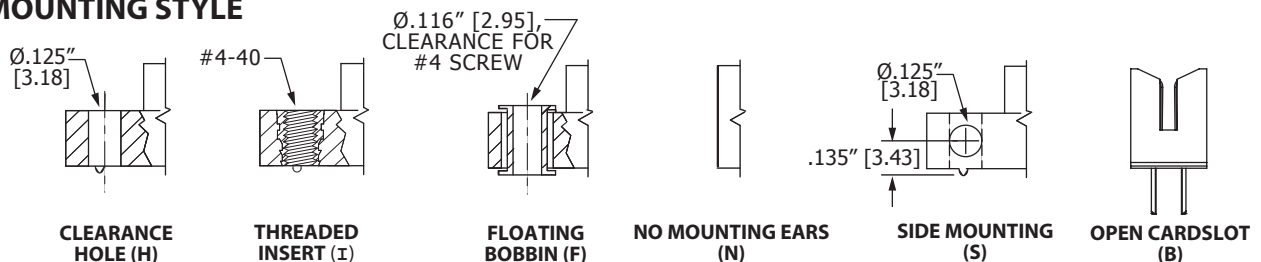


CONSULT FACTORY FOR MOLDED-IN KEY

TERMINATION TYPE

FULL BELLOW	TAIL LENGTH	ROW SPACING	MIN HOLE SIZE	FULL BELLOW													
	RIGHT ANGLE			STRAIGHT	EYELET ACCEPTS 3-#26 AWG												
	.125" [3.18] (RA)	.156" [3.96]	Ø.043" [1.09]														
	STRAIGHT			.007" [0.18] THICK (RE)	.014" [0.36] THICK (TE)												
	.200" [5.08] (RT)	.140" [3.56]	Ø.043" [1.09]	CARD EXTENDER ACCEPTS .062" [1.57] PCB													
	.440" [11.19] (RY)	.140" [3.56]	Ø.043" [1.09]		<table border="0"> <tr> <td>TAIL LENGTH</td> <td>EYELET (RE)</td> <td>MODIFICATION CODE</td> </tr> <tr> <td>.210" [5.33]</td> <td></td> <td>-S13</td> </tr> <tr> <td>.185" [4.70] (RT)</td> <td></td> <td>-S13</td> </tr> <tr> <td>.425" [10.80] (RY)</td> <td></td> <td>-S13</td> </tr> </table>	TAIL LENGTH	EYELET (RE)	MODIFICATION CODE	.210" [5.33]		-S13	.185" [4.70] (RT)		-S13	.425" [10.80] (RY)		-S13
	TAIL LENGTH	EYELET (RE)	MODIFICATION CODE														
.210" [5.33]		-S13															
.185" [4.70] (RT)		-S13															
.425" [10.80] (RY)		-S13															
.185" [4.70] (RX)	.200" [5.08]	Ø.043" [1.09]	SURFACE MOUNT (RT)														
.165" [4.19] (RJ)	.250" [6.35]	Ø.043" [1.09]		MODIFICATION CODE -S924													
	CRIMP TO CENTER (SX)			RIGHT ANGLE SURFACE MOUNT (RA)													
	.160" [4.06]		Ø.043" [1.09]		MODIFICATION CODE -S2106												
	CANTILEVER																
	TAIL LENGTH	ROW SPACING	MIN HOLE SIZE														
	.200" [5.08] (ET)	.140" [3.56]	Ø.040" [1.02]														
	.440" [11.19] (EY)	.140" [3.56]	Ø.040" [1.02]														

MOUNTING STYLE



CLEARANCE HOLE (H)

THREADED INSERT (I)

FLOATING BOBBIN (F)

NO MOUNTING EARS (N)

SIDE MOUNTING (S)

OPEN CARDSLOT (B)

.100" [2.54 mm] Contact Centers, .431" [10.95 mm] Insulator Height, Dip Solder/Eyelet/Right Angle for .062" [1.57 mm] or .031" [0.79 mm] Mating PCB

Female Card Edge

PART NUMBER OPTIONS

MATERIALS (INSULATOR/CONTACT)

- E = PBT/Phosphor Bronze (Standard)
- R = PPS/Phosphor Bronze
- G = PA9T/Phosphor Bronze
- H = PBT/Beryllium Copper
- A = PPS/Beryllium Copper
- J = PA9T/Beryllium Copper
- *F = PPS/Spinodal (Overall Gold Plating Only)
Consult Factory for Special Soldering Guidelines
- *C = PPS/Beryllium Nickel (Overall Gold Plating Only)
- *W = PEEK/Beryllium Nickel (Overall Gold Plating Only)
- *Consult factory for availability.
- Refer to Page 7 for Operating/Processing Temperatures

CONTACT FINISH - RoHS Compliant

All platings are Lead Free and have .000050" Nickel underplate

Contact Surface	Termination
B = .000010" Gold	.000100" Pure Tin, Matte
C = .000030" Gold	.000100" Pure Tin, Matte
G = .000010" Gold	.000005" Gold
Y = .000030" Gold	.000005" Gold
Contact Surface	Overall Plating
S = .000010" Gold	.000010" Gold
M = .000030" Gold	.000010" Gold
E = .000100" Pure Tin, Matte	.000100" Pure Tin, Matte

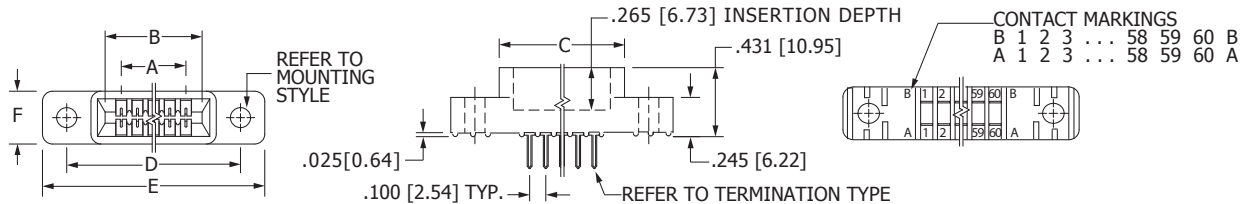
CONTACT CENTERS

- C = .100" [2.54 mm]

E B C 43 D RE H - Sxxx

- MODIFICATIONS (Consult Factory)**
- OMIT FOR STANDARD
- S13 = Card Extender Accepts .062" [1.57 mm] PCB (RE, RT, RY Terminations Only)
- S734 = .031"±.006" [0.79 mm ± 0.15 mm] Mating PCB
- S924 = Surface Mount
- S2106 = Right Angle Surface Mount
- MOUNTING STYLE (Opposite Page)**
- H = .125" [3.18 mm] Clearance Holes
- N = No Mounting
- B = Open Card slot
- S = Side Mounting
- I = Threaded Insert
- F = Floating Bobbin
- TERMINATION TYPE (Opposite Page)**
- RA = Right Angle
- RE = Eyelet (Standard)
- TE = Eyelet (Overall Plated Only)
- **ET, RT = .140" [3.56 mm] X .200" [5.08 mm] Dip Solder
- **EY, RY = .140" [3.56 mm] X .440" [11.19 mm] Dip Solder
- RX = .200" [5.08 mm] X .185" [4.70 mm] Dip Solder
- RJ = .250" [6.35 mm] X .165" [4.19 mm] Dip Solder
- SX = .110" [2.79 mm] Centered Dip Solder
- READOUT (Opposite Page)**
- D = Dual
- H = Half Loaded
- NUMBER OF CONTACT POSITIONS**
- See Chart Below
- **'ET' & 'EY' Only available in 'B' & 'C' Plating code

DIMENSIONS Dimensions in [] are in millimeters, all others are in inches.



Tolerances on non-critical dimensions may vary slightly due to shrinkage differential per insulator material; Consult factory.

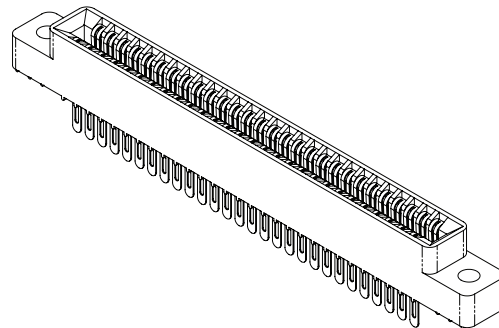
POSITIONS/ CONTACTS	INCHES						MILLIMETERS					
	A±.008	B±.008	C±.015	D±.010	E±.020	F+.005/- .015	A±0.20	B±0.20	C±0.38	D±0.25	E±0.51	F+0.13/-0.38
04/08*	0.300	0.500	0.675	0.975	1.275		7.62	12.70	17.15	24.77	32.39	
05/10	0.400	0.600	0.775	1.075	1.375		10.16	15.24	19.69	27.31	34.93	
06/12	0.500	0.700	0.875	1.175	1.475		12.70	17.78	22.23	29.85	37.47	
07/14	0.600	0.800	0.975	1.275	1.575		15.24	20.32	24.77	32.39	40.01	
08/16	0.700	0.900	1.075	1.375	1.675		17.78	22.86	27.31	34.93	42.55	
10/20	0.900	1.100	1.275	1.575	1.875		22.86	27.94	32.39	40.01	47.63	
12/24	1.100	1.300	1.475	1.775	2.075		27.94	33.02	37.47	45.09	52.71	
13/26	1.200	1.400	1.575	1.875	2.175		30.48	35.56	40.01	47.63	55.25	
15/30	1.400	1.600	1.775	2.075	2.375		35.56	40.64	45.09	52.71	60.33	
17/34	1.600	1.800	1.975	2.275	2.575	0.330	40.64	45.72	50.17	57.79	65.41	8.38
18/36	1.700	1.900	2.075	2.375	2.675		43.18	48.26	52.71	60.33	67.95	
19/38	1.800	2.000	2.175	2.475	2.775		45.72	50.80	55.25	62.87	70.49	
20/40	1.900	2.100	2.275	2.575	2.875		48.26	53.34	57.79	65.41	73.03	
22/44	2.100	2.300	2.475	2.775	3.075		53.34	58.42	62.87	70.49	78.11	
23/46*	2.200	2.400	2.575	2.875	3.175		55.88	60.96	65.41	73.03	80.65	
25/50	2.400	2.600	2.775	3.075	3.375		60.96	66.04	70.49	78.11	85.73	
26/52	2.500	2.700	2.875	3.175	3.475		63.50	68.58	73.03	80.65	88.27	
28/56	2.700	2.900	3.075	3.375	3.675		68.58	73.66	78.11	85.73	93.35	
30/60	2.900	3.100	3.275	3.575	3.875		73.66	78.74	83.19	90.81	98.43	
31/62	3.000	3.200	3.375	3.675	3.975		76.20	81.28	85.73	93.35	100.97	
35/70	3.400	3.600	3.775	4.075	4.375		86.36	91.44	95.89	103.51	111.13	
36/72	3.500	3.700	3.875	4.175	4.475		88.90	93.98	98.43	106.05	113.67	
40/80	3.900	4.100	4.275	4.575	4.875		99.06	104.14	108.59	116.21	123.83	
43/86	4.200	4.400	4.575	4.875	5.175		106.68	111.76	116.21	123.83	131.45	
44/88	4.300	4.500	4.675	4.975	5.275		109.22	114.30	118.75	126.37	133.99	
49/98	4.800	5.000	5.175	5.475	5.775	0.400	121.92	127.00	131.45	139.07	146.69	10.16
50/100	4.900	5.100	5.275	5.575	5.875		124.46	129.54	133.99	141.61	149.23	
52/104*	5.100	5.300	5.475	5.775	6.075		129.54	134.62	139.07	146.69	154.31	
60/120	5.900	6.100	6.275	6.575	6.875		149.86	154.94	159.39	167.01	174.63	
65/130	6.400	6.600	6.775	7.075	7.375		162.56	167.64	172.09	179.71	187.33	

Female Card Edge

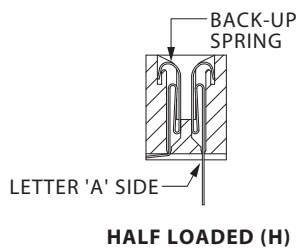
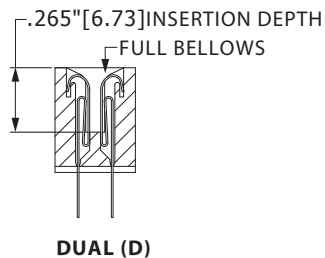
.100" [2.54 mm] Contact Centers, .431" [10.95 mm] Insulator Height, Dip Solder/Eyelet/Right Angle for .093" [2.36 mm] Mating PCB

SPECIFICATIONS

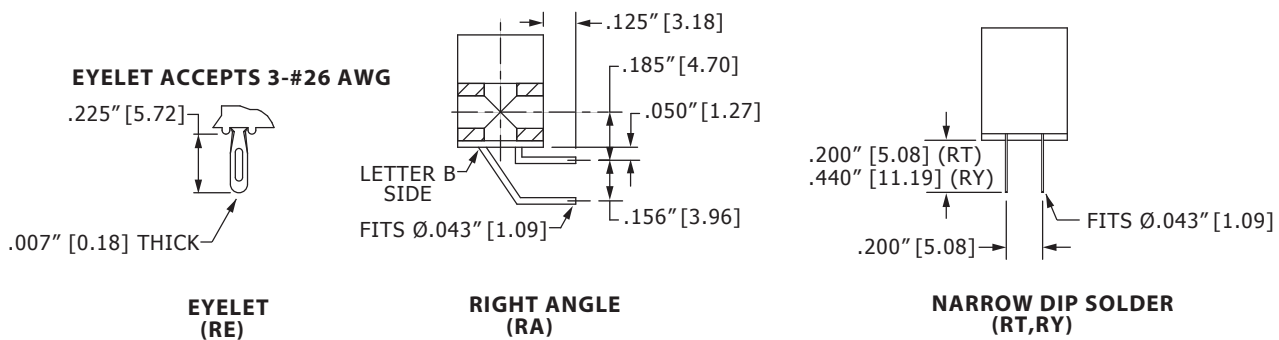
- Accommodates .093" ± .008" [2.36 mm ± 0.20 mm] PC board
- PBT, PPS, PA9T, or PEEK insulator
- Molded-in key available
- 3 Amps current rating for one contact energized
- 30 milli Ohms maximum at rated current
- UL Flammability Rating: 94V-0



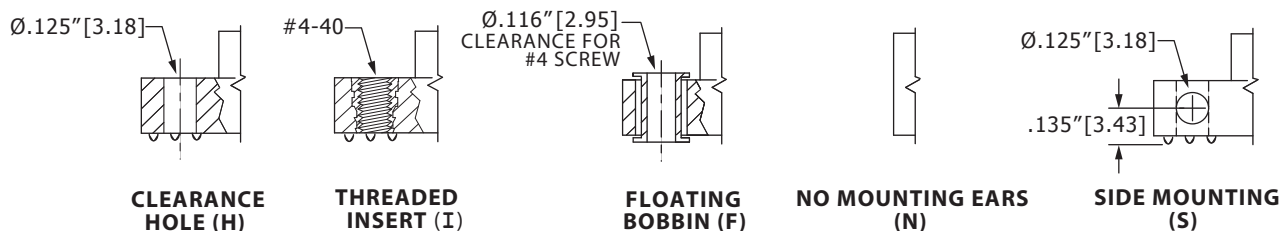
READOUT



TERMINATION TYPE



MOUNTING STYLE



.100" [2.54 mm] Contact Centers, .431" [10.95 mm] Insulator Height, Dip Solder/Eyelet/Right Angle for .093" [2.36 mm] Mating PCB

PART NUMBER OPTIONS

MATERIALS (INSULATOR/CONTACT)

- E = PBT/Phosphor Bronze (Standard)
- R = PPS/Phosphor Bronze
- G = PA9T/Phosphor Bronze
- H = PBT/Beryllium Copper
- A = PPS/Beryllium Copper
- J = PA9T/Beryllium Copper
- *F = PPS/Spinodal (Overall Gold Plating Only)
Consult Factory for Special Soldering Guidelines
- *C = PPS/Beryllium Nickel (Overall Gold Plating Only)
- *W = PEEK/Beryllium Nickel (Overall Gold Plating Only)
- *Consult factory for availability.
- Refer to Page 7 for Operating/Processing Temperatures

CONTACT FINISH - RoHS Compliant

All platings are Lead Free and have .000050" Nickel underplate

Contact Surface	Termination
B = .000010" Gold	.000100" Pure Tin, Matte
C = .000030" Gold	.000100" Pure Tin, Matte
G = .000010" Gold	.000005" Gold
Y = .000030" Gold	.000005" Gold
Contact Surface	Overall Plating
S = .000010" Gold	.000010" Gold
M = .000030" Gold	.000010" Gold
E = .000100" Pure Tin, Matte	.000100" Pure Tin, Matte

MODIFICATION (Consult Factory)

-S93 = .093" ± .008" [2.36 mm ± 0.20 mm] PCB,
.200" [5.08 mm] Row Spacing (RT, RY)

MOUNTING STYLE (Opposite Page)

H = .125" [3.18 mm] Clearance Holes
N = No Mounting
S = Side Mounting
I = Threaded Insert
F = Floating Bobbin

TERMINATION TYPE (Opposite Page)

RA = Right Angle
RE = Eyelet
RT = .200" [5.08 mm] X .200" [5.08 mm] Dip Solder
RY = .200" [5.08 mm] X .440" [11.19 mm] Dip Solder

READOUT (Opposite Page)

D = Dual
H = Half Loaded

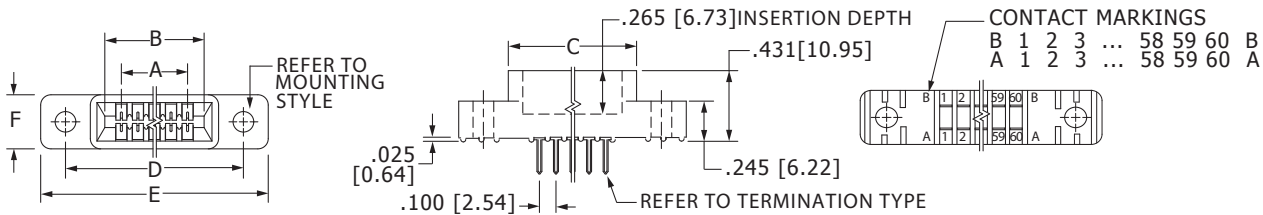
NUMBER OF CONTACT POSITIONS

See Chart Below

CONTACT CENTERS

C = .100" [2.54 mm]

DIMENSIONS Dimensions in [] are in millimeters, all others are in inches.



Tolerances on non-critical dimensions may vary slightly due to shrinkage differential per insulator material; Consult factory.

POSITIONS/ CONTACTS	INCHES						MILLIMETERS					
	A±.008	B±.008	C±.015	D±.010	E±.020	F+.005/-0.015	A±0.20	B±0.20	C±0.38	D±0.25	E±0.51	F+0.13/-0.38
04/08*	0.300	0.500	0.675	0.975	1.275		7.62	12.70	17.15	24.77	32.39	
05/10	0.400	0.600	0.775	1.075	1.375		10.16	15.24	19.69	27.31	34.93	
06/12	0.500	0.700	0.875	1.175	1.475		12.70	17.78	22.23	29.85	37.47	
07/14	0.600	0.800	0.975	1.275	1.575		15.24	20.32	24.77	32.39	40.01	
08/16	0.700	0.900	1.075	1.375	1.675		17.78	22.86	27.31	34.93	42.55	
10/20	0.900	1.100	1.275	1.575	1.875		22.86	27.94	32.39	40.01	47.63	
12/24	1.100	1.300	1.475	1.775	2.075		27.94	33.02	37.47	45.09	52.71	
13/26	1.200	1.400	1.575	1.875	2.175		30.48	35.56	40.01	47.63	55.25	
15/30	1.400	1.600	1.775	2.075	2.375		35.56	40.64	45.09	52.71	60.33	
17/34	1.600	1.800	1.975	2.275	2.575		40.64	45.72	50.17	57.79	65.41	
18/36	1.700	1.900	2.075	2.375	2.675	0.330	43.18	48.26	52.71	60.33	67.95	8.38
19/38	1.800	2.000	2.175	2.475	2.775		45.72	50.80	55.25	62.87	70.49	
20/40	1.900	2.100	2.275	2.575	2.875		48.26	53.34	57.79	65.41	73.03	
22/44	2.100	2.300	2.475	2.775	3.075		53.34	58.42	62.87	70.49	78.11	
23/46*	2.200	2.400	2.575	2.875	3.175		55.88	60.96	65.41	73.03	80.65	
25/50	2.400	2.600	2.775	3.075	3.375		60.96	66.04	70.49	78.11	85.73	
26/52	2.500	2.700	2.875	3.175	3.475		63.50	68.58	73.03	80.65	88.27	
28/56	2.700	2.900	3.075	3.375	3.675		68.58	73.66	78.11	85.73	93.35	
30/60	2.900	3.100	3.275	3.575	3.875		73.66	78.74	83.19	90.81	98.43	
31/62	3.000	3.200	3.375	3.675	3.975		76.20	81.28	85.73	93.35	100.97	
35/70	3.400	3.600	3.775	4.075	4.375		86.36	91.44	95.89	103.51	111.13	
36/72	3.500	3.700	3.875	4.175	4.475		88.90	93.98	98.43	106.05	113.67	
40/80	3.900	4.100	4.275	4.575	4.875		99.06	104.14	108.59	116.21	123.83	
43/86	4.200	4.400	4.575	4.875	5.175		106.68	111.76	116.21	123.83	131.45	
44/88	4.300	4.500	4.675	4.975	5.275		109.22	114.30	118.75	126.37	133.99	
49/98	4.800	5.000	5.175	5.475	5.775	0.400	121.92	127.00	131.45	139.07	146.69	10.16
50/100	4.900	5.100	5.275	5.575	5.875		124.46	129.54	133.99	141.61	149.23	
52/104*	5.100	5.300	5.475	5.775	6.075		129.54	134.62	139.07	146.69	154.31	
60/120	5.900	6.100	6.275	6.575	6.875		149.86	154.94	159.39	167.01	174.63	
65/125	6.400	6.600	6.775	7.075	7.375		162.56	167.64	172.09	179.71	187.33	

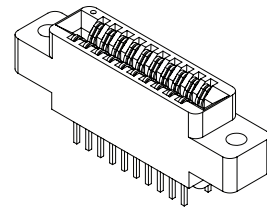
* Consult factory for availability.

Female Card Edge

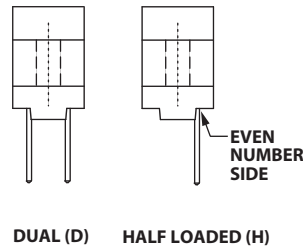
**.100" [2.54 mm] Contact Centers, .610" [15.49 mm] Insulator Height,
Dip Solder/Wire Wrap/Right Angle/Card Extender**

SPECIFICATIONS

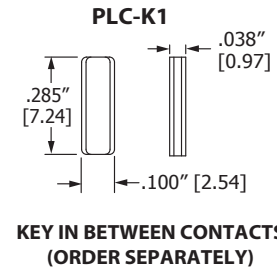
- Accommodates $.062" \pm .008"$ [1.57 mm \pm 0.20 mm] mating PCB
(For $.093"$ [2.36 mm] or $.125"$ [3.18 mm] mating PCB see following pages)
- PBT, PPS or PA9T insulator
- Molded-in key available
- 3 Amps current rating for one contact energized
- 30 milli Ohms maximum at rated current
- UL Flammability Rating: 94V-0



READOUT



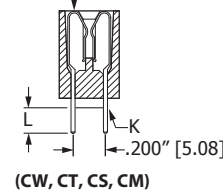
POLARIZING KEY



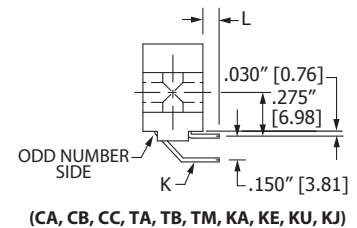
TERMINATION TYPE

HAIRPIN BELLOWS	TERMINATION TYPE	POST CROSS SECTION K	POST LENGTH L .025" [0.64]	FITS MIN. HOLE SIZE
CW	DIP SOLDER	.015" X .025" [0.38 X 0.64]	.125" [3.18]	.035" [0.89]
CT	DIP SOLDER	.015" X .025" [0.38 X 0.64]	.170" [4.32]	.035" [0.89]
CS	DIP SOLDER	.025" [0.64] SQUARE	.160" [4.06]	.040" [1.02]
CM	WIRE WRAP	.025" [0.64] SQUARE	.560" [14.20]	.040" [1.02]
CA	RIGHT ANGLE	.025" [0.64] SQUARE	.100" [2.54]	.043" [1.09]
CB	RIGHT ANGLE	.025" [0.64] SQUARE	.180" [4.57]	.043" [1.09]
CC	RIGHT ANGLE	.025" [0.64] SQUARE	.250" [6.35]	.043" [1.09]

HAIRPIN BELLOWS

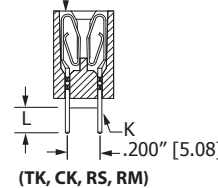


RIGHT ANGLE

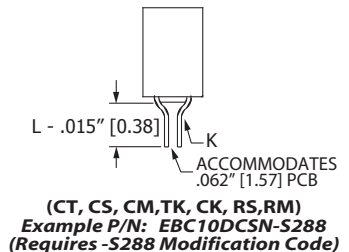


LOOP BELLOWS	TERMINATION TYPE	POST CROSS SECTION K	POST LENGTH L .025" [0.64]	FITS MIN. HOLE SIZE
TK,CK	DIP SOLDER	.025" [0.64] ROUND	.190" [4.83]	.033" [0.84]
RS	DIP SOLDER	.025" [0.64] SQUARE	.190" [4.83]	.040" [1.02]
RM	WIRE WRAP	.025" [0.64] SQUARE	.560" [14.20]	.040" [1.02]
TA	RIGHT ANGLE	.025" [0.64] SQUARE	.100" [2.54]	.043" [1.09]
TB	RIGHT ANGLE	.025" [0.64] SQUARE	.180" [4.57]	.043" [1.09]
TM	RIGHT ANGLE	.025" [0.64] SQUARE	.250" [6.35]	.043" [1.09]

LOOP BELLOWS

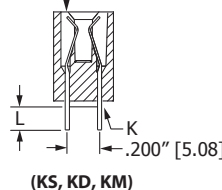


HAIRPIN or LOOP CARD EXTENDER

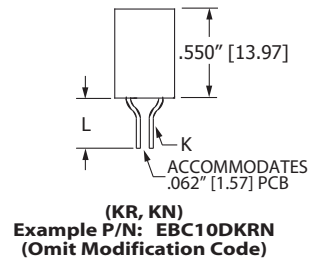


CANTILEVER	TERMINATION TYPE	POST CROSS SECTION K	POST LENGTH L .025" [0.64]	FITS MIN. HOLE SIZE
KS	DIP SOLDER	.025" [0.64] SQUARE	.190" [4.83]	.040" [1.02]
KD	DIP SOLDER	.025" [0.64] SQUARE	.160" [4.06]	.043" [1.09]
KM	WIRE WRAP	.025" [0.64] SQUARE	.560" [14.20]	.040" [1.02]
*KA	RIGHT ANGLE	.025" [0.64] SQUARE	.100" [2.54]	.043" [1.09]
*KE	RIGHT ANGLE	.025" [0.64] SQUARE	.180" [4.57]	.043" [1.09]
*KU	RIGHT ANGLE	.025" [0.64] SQUARE	.250" [6.35]	.043" [1.09]
*KJ	RIGHT ANGLE	.025" [0.64] SQUARE	.500" [12.70]	.043" [1.09]
*KR	CARD EXTENDER	.025" [0.64] SQUARE	.235" [5.97]	N/A
*KN	CARD EXTENDER	.025" [0.64] SQUARE	.605" [15.37]	N/A

CANTILEVER

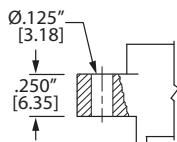


CANTILEVER CARD EXTENDER

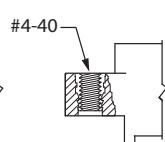


* KA, KE, KU, KJ, KR, KN have no standoffs, unless requested.

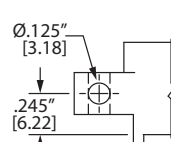
MOUNTING STYLE



CLEARANCE HOLE (H)



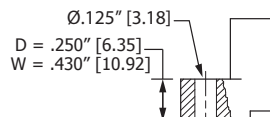
THREADED INSERT (I)



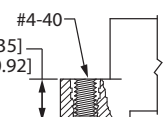
SIDE MOUNTING (S)



NO MOUNTING EARS (N)



FLUSH MOUNTING (D, W)



FLUSH MOUNTING WITH THREADED INSERT (T, X)

.100" [2.54 mm] Contact Centers, .610" [15.49 mm] Insulator Height, Dip Solder/Wire Wrap/Right Angle/Card Extender

PART NUMBER OPTIONS

MATERIALS (INSULATOR/CONTACT)

- E = PBT/Phosphor Bronze (Standard)
 - R = PPS/Phosphor Bronze
 - G = PA9T/Phosphor Bronze
 - H = PBT/Beryllium Copper
 - A = PPS/Beryllium Copper
 - J = PA9T/Beryllium Copper
- (Consult factory for other materials.)
Refer to Page 7 for Operating/Processing Temperatures

CONTACT FINISH - RoHS Compliant

All platings are Lead Free and have .000050" Nickel underplate

Contact Surface	Termination
B = .000010" Gold	.000100" Pure Tin, Matte
C = .000030" Gold	.000100" Pure Tin, Matte
G = .000010" Gold	.000005" Gold
Y = .000030" Gold	.000005" Gold
Contact Surface	Overall Plating
S = .000010" Gold	.000010" Gold
M = .000030" Gold	.000010" Gold
E = .000100" Pure Tin, Matte	.000100" Pure Tin, Matte

CONTACT CENTERS

- C = .100" [2.54 mm]

NUMBER OF CONTACT POSITIONS

See Chart Below

READOUT (Opposite Page)

- D = Dual
- H = Half Loaded

E B C 70 D CM H - Sxxx

MODIFICATION CODE (Consult Factory)

OMIT FOR STANDARD

-S189 = .200" [5.08 mm] Row to Row on Right Angle

-S288* = Card Extender Accepts .062" [1.57 mm] PCB

* Not Required on KR or KN Terminations

MOUNTING STYLE (Opposite Page)

- H = Clearance Holes
- I = Threaded Inserts
- S = Side Mounting
- N = No Mounting
- D,W = Flush Mounting
- T,X = Flush Mounting With Threaded Inserts

TERMINATION TYPE (Opposite Page)

Hairpin Bellows - Available with B or C plating and Phosphor Bronze Only

- CS = .025" [0.64 mm] Square Dip Solder
- CM = .025" [0.64 mm] Square Wire Wrap
- CA, CB, CC = .025" [0.64 mm] Square Right Angle
- CW, CT = .015" X .025" [0.38 mm X 0.64 mm] Dip Solder

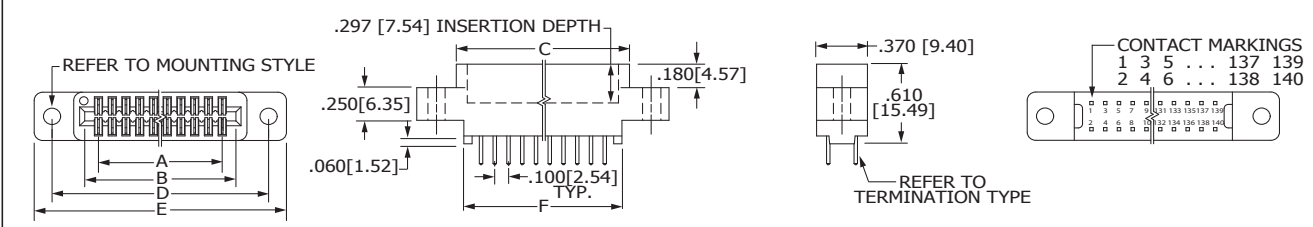
Loop Bellows

- RS = .025" [0.64 mm] Square Dip Solder
- CK, TK = .025" [0.64 mm] Round Dip Solder
- RM = .025" [0.64 mm] Square Wire Wrap
- TA, TB, TM = .025" [0.64 mm] Square Right Angle

Cantilever Bellows - Available in Y, B, or C plating Only

- KS, KD = .025" [0.64 mm] Square Dip Solder
- KM = .025" [0.64 mm] Square Wire Wrap
- KA, KE, KU, KJ = .025" [0.64 mm] Square Right Angle
- KR, KN = .025" [0.64 mm] Square Card Extender

DIMENSIONS Dimensions in [] are in millimeters, all others are in inches.



Tolerances on non-critical dimensions may vary slightly due to shrinkage differential per insulator material; Consult factory.

POSITIONS/ CONTACTS	INCHES						MILLIMETERS					
	A±.008	B±.008	C±.015	D±.010	E±.020	F±.015	A±0.20	B±0.20	C±0.38	D±0.25	E±0.51	F±0.38
06/12	0.500	0.700	0.860	1.175	1.435	0.750	12.70	17.78	21.84	29.85	36.45	19.05
07/14	0.600	0.800	0.960	1.275	1.535	0.850	15.24	20.32	24.38	32.39	38.99	21.59
08/16	0.700	0.900	1.060	1.375	1.635	0.950	17.78	22.86	26.92	34.93	41.53	24.13
10/20	0.900	1.100	1.260	1.575	1.835	1.150	22.86	27.94	32.00	40.01	46.61	29.21
12/24	1.100	1.300	1.460	1.775	2.035	1.350	27.94	33.02	37.08	45.09	51.69	34.29
13/26	1.200	1.400	1.560	1.875	2.135	1.450	30.48	35.56	39.62	47.63	54.23	36.83
15/30	1.400	1.600	1.760	2.075	2.335	1.650	35.56	40.64	44.70	52.71	59.31	41.91
17/34	1.600	1.800	1.960	2.275	2.535	1.850	40.64	45.72	49.78	57.79	64.39	46.99
18/36	1.700	1.900	2.060	2.375	2.635	1.950	43.18	48.26	52.32	60.33	66.93	49.53
20/40	1.900	2.100	2.260	2.575	2.835	2.150	48.26	53.34	57.40	65.41	72.01	54.61
22/44	2.100	2.300	2.460	2.775	3.035	2.350	53.34	58.42	62.48	70.49	77.09	59.69
24/48	2.300	2.500	2.660	2.975	3.235	2.550	58.42	63.50	67.56	75.57	82.17	64.77
25/50	2.400	2.600	2.760	3.075	3.335	2.650	60.96	66.04	70.10	78.11	84.71	67.31
28/56	2.700	2.900	3.060	3.375	3.635	2.950	68.58	73.66	77.72	85.73	92.33	74.93
30/60	2.900	3.100	3.260	3.575	3.835	3.150	73.66	78.74	82.80	90.81	97.41	80.01
31/62	3.000	3.200	3.360	3.675	3.935	3.250	76.20	81.28	85.34	93.35	99.95	82.55
35/70	3.400	3.600	3.760	4.075	4.335	3.650	86.36	91.44	95.50	103.51	110.11	92.71
36/72	3.500	3.700	3.860	4.175	4.435	3.750	88.90	93.98	98.04	106.05	112.65	95.25
40/80	3.900	4.100	4.260	4.575	4.835	4.150	99.06	104.14	108.20	116.21	122.81	105.41
43/86	4.200	4.400	4.560	4.875	5.135	4.450	106.68	111.76	115.82	123.83	130.43	113.03
44/88	4.300	4.500	4.660	4.975	5.235	4.550	109.22	114.30	118.36	126.37	132.97	115.57
49/98*	4.800	5.000	5.160	5.475	5.735	5.050	121.92	127.00	131.06	139.07	145.67	128.27
50/100	4.900	5.100	5.260	5.575	5.835	5.150	124.46	129.54	133.60	141.61	148.21	130.81
55/110	5.400	5.600	5.760	6.075	6.335	5.650	137.16	142.24	146.30	154.31	160.91	143.51
60/120	5.900	6.100	6.260	6.575	6.835	6.150	149.86	154.94	159.00	167.01	173.61	156.21
61/122	6.000	6.200	6.360	6.675	6.935	6.250	152.40	157.48	161.54	169.55	176.15	158.75
65/130	6.400	6.600	6.760	7.075	7.335	6.650	162.56	167.64	171.70	179.71	186.31	168.91
70/140	6.900	7.100	7.260	7.575	7.835	7.150	175.26	180.34	184.40	192.41	199.01	181.61
80/160*	7.900	8.100	8.260	8.575	8.835	8.150	200.66	205.74	209.80	217.81	224.41	207.01
90/180*	8.900	9.100	9.260	9.575	9.835	9.150	226.06	231.14	235.20	243.21	249.81	232.41
100/200*	9.900	10.100	10.260	10.575	10.835	10.150	251.46	256.54	260.60	268.61	275.21	257.81

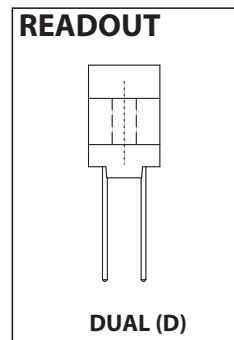
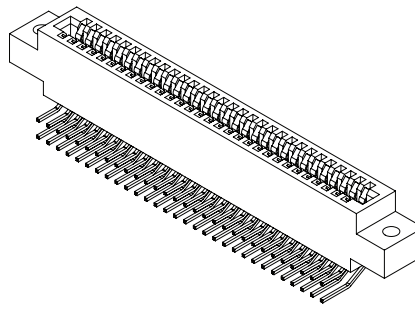
* Consult factory for availability.

Female Card Edge

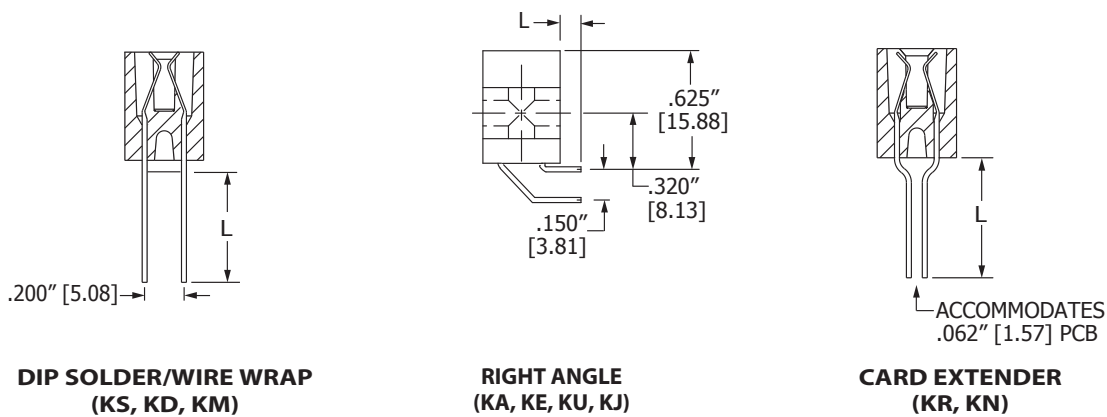
.100" [2.54 mm] Contact Centers, .610" [15.49 mm] Profile, .400" [10.16 mm] Wide Body, Dip Solder/Wire Wrap/Right Angle/Card Extender for .062" or .093" Mating PCB

SPECIFICATIONS

- Accommodates $.062" \pm .008"$ [1.57 mm \pm 0.20 mm] or $.093" \pm .008"$ [2.36 mm \pm 0.20 mm] mating PCB
- PPS, PBT or PA9T insulator
- 3 Amps current rating for one contact energized
- 30 milli Ohms maximum at rated current
- UL Flammability Rating: 94V-0

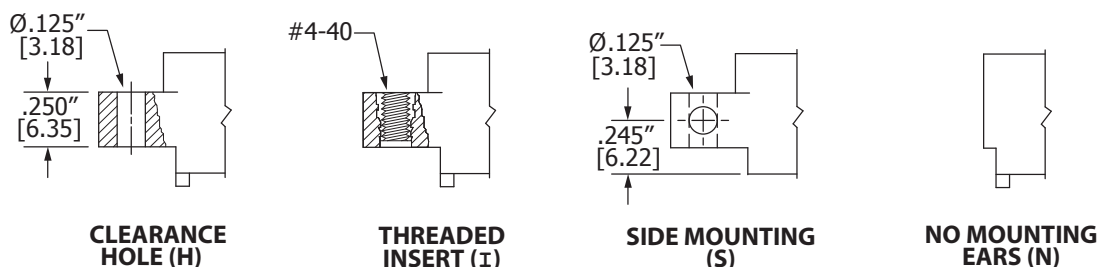


TERMINATION TYPE



TERMINATION	TERMINATION TYPE	POST LENGTH L \pm .025" [0.64]	FITS MIN. HOLE SIZE	STANDOFF
KD	DIP SOLDER	.160" [4.06]	.043" [1.09]	YES
KS	DIP SOLDER	.190" [4.83]	.040" [1.02]	YES
KM	WIRE WRAP	.560" [14.22]	.040" [1.02]	YES
KA	RIGHT ANGLE	.100" [2.54]	.043" [1.09]	NO
KE	RIGHT ANGLE	.180" [4.57]	.043" [1.09]	NO
KU	RIGHT ANGLE	.250" [6.35]	.043" [1.09]	NO
KJ	RIGHT ANGLE	.500" [12.70]	.043" [1.09]	NO
KR	CARD EXTENDER	.235" [5.97]	N/A	NO
KN	CARD EXTENDER	.605" [15.37]	N/A	NO

MOUNTING STYLE



.100" [2.54 mm] Contact Centers, .610" [15.49 mm] Profile, .400" [10.16 mm] Wide Body, Dip Solder/Wire Wrap/Right Angle/Card Extender for .062" or .093" Mating PCB

PART NUMBER OPTIONS

MATERIALS (INSULATOR/CONTACT)

- E = PBT/Phosphor Bronze
- R = PPS/Phosphor Bronze
- G = PA9T/Phosphor Bronze
- H = PBT/Beryllium Copper
- A = PPS/Beryllium Copper
- J = PA9T/Beryllium Copper

(Consult factory for other materials.)

Refer to Page 7 for Operating/Processing Temperatures

CONTACT FINISH - RoHS Compliant

All platings are Lead Free and have .000050" Nickel underplate

Contact Surface Termination

- B = .000010" Gold .000100" Pure Tin, Matte
- C = .000030" Gold .000100" Pure Tin, Matte
- Y = .000030" Gold .000005" Gold

CONTACT CENTERS

C = .100" [2.54 mm]

NUMBER OF CONTACT POSITIONS

See Chart Below

A B C 30 D KE H - S1191

MODIFICATION CODE (Consult Factory)

- S1243 = For .062" ± .008" [1.57 mm ± 0.20 mm] PCB
- S1191 = For .093" ± .008" [2.36 mm ± 0.20 mm] PCB

MOUNTING STYLE (Opposite Page)

- H = Clearance Holes
- I = Threaded Inserts
- S = Side Mounting
- N = No Mounting

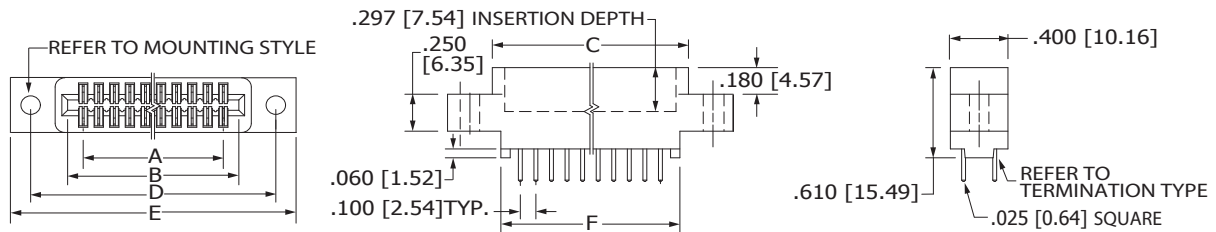
TERMINATION TYPE (Opposite Page)

- KD, KS = .025" [0.64 mm] Square Dip Solder
- KM = .025" [0.64 mm] Square Wire Wrap
- KA, KE, KU, KJ = .025" [0.64 mm] Square Right Angle
- KN, KR = .025" [0.64 mm] Square Card Extender

READOUT (Opposite Page)

D = Dual

DIMENSIONS Dimensions in [] are in millimeters, all others are in inches.



Tolerances on non-critical dimensions may vary slightly due to shrinkage differential per insulator material; Consult factory.

POSITIONS/ CONTACTS	INCHES						MILLIMETERS					
	A±.008	B±.012	C±.015	D±.010	E±.020	F±.015	A±0.20	B±0.30	C±0.38	D±0.25	E±0.51	F±0.38
04/08	0.300	0.500	0.660	0.975	1.235	0.542	7.62	12.70	16.76	24.77	31.37	13.77
05/10	0.400	0.600	0.760	1.075	1.335	0.642	10.16	15.24	19.30	27.31	33.91	16.31
06/12	0.500	0.700	0.860	1.175	1.435	0.742	12.70	17.78	21.84	29.85	36.45	18.85
07/14*	0.600	0.800	0.960	1.275	1.535	0.842	15.24	20.32	24.38	32.39	38.99	21.39
08/16	0.700	0.900	1.060	1.375	1.635	0.942	17.78	22.86	26.92	34.93	41.53	23.93
09/18	0.800	1.000	1.160	1.475	1.735	1.042	20.32	25.40	29.46	37.47	44.07	26.47
10/20	0.900	1.100	1.260	1.575	1.835	1.142	22.86	27.94	32.00	40.01	46.61	29.01
12/24	1.100	1.300	1.460	1.775	2.035	1.342	27.94	33.02	37.08	45.09	51.69	34.09
13/26*	1.200	1.400	1.560	1.875	2.135	1.442	30.48	35.56	39.62	47.63	54.23	36.63
15/30	1.400	1.600	1.760	2.075	2.335	1.642	35.56	40.64	44.70	52.71	59.31	41.71
16/32	1.500	1.700	1.860	2.175	2.435	1.742	38.10	43.18	47.24	55.25	61.85	44.25
17/34*	1.600	1.800	1.960	2.275	2.535	1.842	40.64	45.72	49.78	57.79	64.39	46.79
18/36*	1.700	1.900	2.060	2.375	2.635	1.942	43.18	48.26	52.32	60.33	66.93	49.33
20/40	1.900	2.100	2.260	2.575	2.835	2.142	48.26	53.34	57.40	65.41	72.01	54.41
22/44	2.100	2.300	2.460	2.775	3.035	2.342	53.34	58.42	62.48	70.49	77.09	59.49
24/48*	2.300	2.500	2.660	2.975	3.235	2.542	58.42	63.50	67.56	75.57	82.17	64.57
25/50	2.400	2.600	2.760	3.075	3.335	2.642	60.96	66.04	70.10	78.11	84.71	67.11
28/56*	2.700	2.900	3.060	3.375	3.635	2.942	68.58	73.66	77.72	85.73	92.33	74.73
30/60	2.900	3.100	3.260	3.575	3.835	3.142	73.66	78.74	82.80	90.81	97.41	79.81
31/62*	3.000	3.200	3.360	3.675	3.935	3.242	76.20	81.28	85.34	93.35	99.95	82.35
35/70	3.400	3.600	3.760	4.075	4.335	3.642	86.36	91.44	95.50	103.51	110.11	92.51
36/72*	3.500	3.700	3.860	4.175	4.435	3.742	88.90	93.98	98.04	106.05	112.65	95.05
40/80	3.900	4.100	4.260	4.575	4.835	4.142	99.06	104.14	108.20	116.21	122.81	105.21
43/86	4.200	4.400	4.560	4.875	5.135	4.442	106.68	111.76	115.82	123.83	130.43	112.83
44/88	4.300	4.500	4.660	4.975	5.235	4.542	109.22	114.30	118.36	126.37	132.97	115.37
49/98*	4.800	5.000	5.160	5.475	5.735	5.042	121.92	127.00	131.06	139.07	145.67	128.07
50/100	4.900	5.100	5.260	5.575	5.835	5.142	124.46	129.54	133.60	141.61	148.21	130.61
55/110	5.400	5.600	5.760	6.075	6.335	5.642	137.16	142.24	146.30	154.31	160.91	143.31
60/120*	5.900	6.100	6.260	6.575	6.835	6.142	149.86	154.94	159.00	167.01	173.61	156.01
61/122*	6.000	6.200	6.360	6.675	6.935	6.242	152.40	157.48	161.54	169.55	176.15	158.55
65/130	6.400	6.600	6.760	7.075	7.335	6.642	162.56	167.64	171.70	179.71	186.31	168.71
70/140	6.900	7.100	7.260	7.575	7.835	7.142	175.26	180.34	184.40	192.41	199.01	181.41

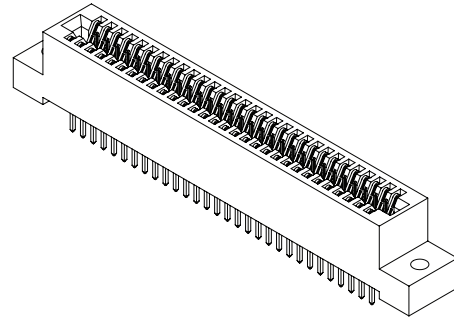
* Consult factory for availability.

Female Card Edge

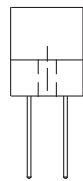
.100" [2.54 mm] Contact Centers, .610" [15.49 mm] Profile, .470" [11.94 mm] Wide Body, Dip Solder/Wire Wrap/Right Angle for .093" or .125" Mating PCB

SPECIFICATIONS

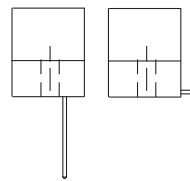
- Accommodates .093" ± .008" [2.36 mm ± 0.20 mm] or .125" ± .008" [3.18 mm ± 0.20 mm] mating PCB (Consult Factory for .031" ± .006" [0.79 mm ± 0.15 mm] PC Board)
- PBT, PPS or PA9T insulator
- Molded-in key available
- 3 Amps current rating for one contact energized
- 30 milli Ohms maximum at rated current
- UL Flammability Rating: 94V-0



READOUT

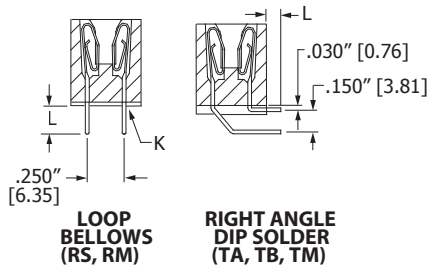


DUAL (D)



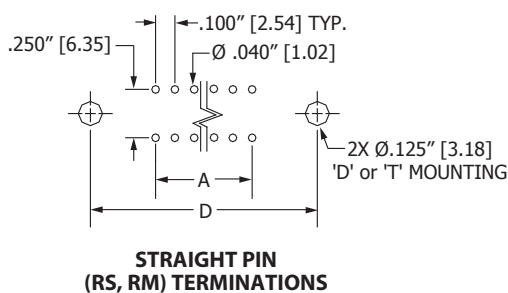
HALF LOADED (H)

TERMINATION TYPE

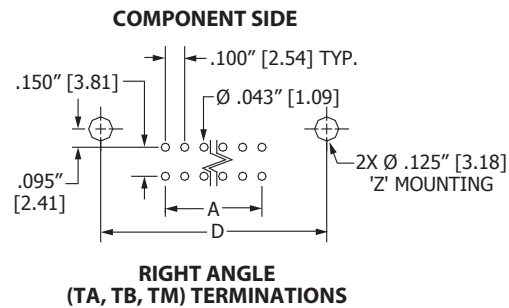


TERMINATION TYPE	POST CROSS SECTION (K)	POST LENGTH L ±.025 [0.64]	FITS MIN. HOLE SIZE
RS Dip Solder	.025" [0.64] SQ.	.190" [4.83]	.040" [1.02]
RM Wire Wrap	.025" [0.64] SQ.	.560" [14.20]	.040" [1.02]
TA Right Angle	.025" [0.64] SQ.	.100" [2.54]	.043" [1.09]
TB Right Angle	.025" [0.64] SQ.	.180" [4.57]	.043" [1.09]
TM Right Angle	.025" [0.64] SQ.	.250" [6.35]	.043" [1.09]

PCB LAYOUT

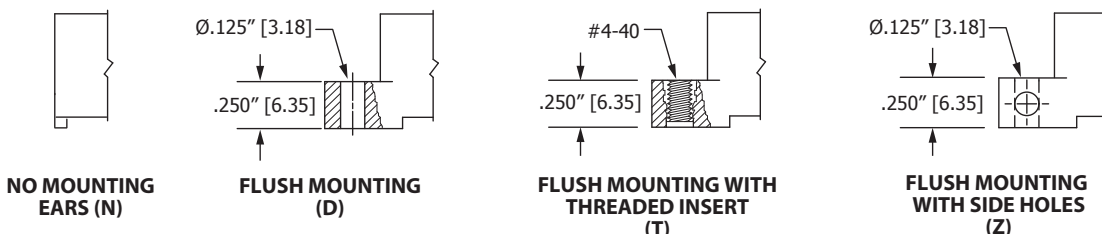


STRAIGHT PIN (RS, RM) TERMINATIONS



RIGHT ANGLE (TA, TB, TM) TERMINATIONS

MOUNTING STYLE



NO MOUNTING EARS (N)

FLUSH MOUNTING (D)

FLUSH MOUNTING WITH THREADED INSERT (T)

FLUSH MOUNTING WITH SIDE HOLES (Z)

.100" [2.54 mm] Contact Centers, .610" [15.49 mm] Profile, .470" [11.94 mm] Wide Body, Dip Solder/Wire Wrap/Right Angle for .093" or .125" Mating PCB

PART NUMBER OPTIONS

MATERIALS (INSULATOR/CONTACT)

- E = PBT/Phosphor Bronze
 - R = PPS/Phosphor Bronze
 - G = PA9T/Phosphor Bronze
 - H = PBT/Beryllium Copper
 - A = PPS/Beryllium Copper
 - J = PA9T/Beryllium Copper
- (Consult factory for other materials.)
Refer to Page 7 for Operating/Processing Temperatures

CONTACT FINISH - RoHS Compliant

- All platings are Lead Free and have .000050" Nickel underplate
- | Contact Surface | Termination |
|------------------------------|--------------------------|
| B = .00010" Gold | .000100" Pure Tin, Matte |
| C = .00030" Gold | .000100" Pure Tin, Matte |
| G = .00010" Gold | .000005" Gold |
| Y = .00030" Gold | .000005" Gold |
| Contact Surface | Overall Plating |
| S = .00010" Gold | .000010" Gold |
| M = .00030" Gold | .000010" Gold |
| E = .000100" Pure Tin, Matte | .000100" Pure Tin, Matte |

E B C 70 D RM D - S273

MODIFICATION CODE (Consult Factory)

- S273 = FOR .093" ± .008" [2.36 mm ± 0.20 mm] THICK MATING PCB
- S664 = FOR .125" ± .008" [3.18 mm ± 0.20 mm] THICK MATING PCB

MOUNTING STYLE (Opposite Page)

- N = No Mounting
- D = Flush Mounting
- T = Flush Mounting With Threaded Inserts
- Z = Flush Mounting With Side Holes

TERMINATION TYPE (Opposite Page)

- RS = .025" [0.64 mm] Square Dip Solder
- RM = .025" [0.64 mm] Square Wire Wrap
- TA, TB, TM = .025" [0.64 mm] Square Right Angle

READOUT (Opposite Page)

- D = Dual
- H = Half Loaded

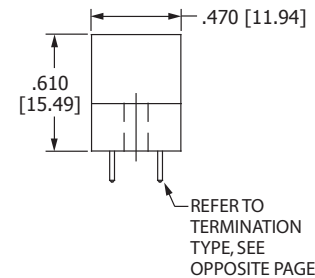
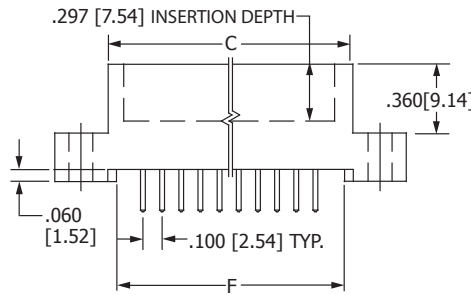
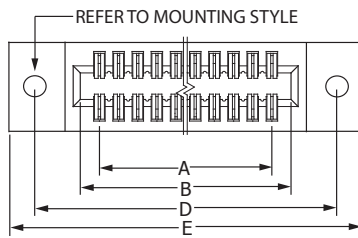
NUMBER OF CONTACT POSITIONS

See Chart Below

CONTACT CENTERS

- C = .100" [2.54 mm]

DIMENSIONS Dimensions in [] are in millimeters, all others are in inches.



Tolerances on non-critical dimensions may vary slightly due to shrinkage differential per insulator material; Consult factory.

POSITIONS/ CONTACTS	INCHES						MILLIMETERS					
	A±.008	B±.008	C±.015	D±.010	E±.020	F±.015	A±0.20	B±0.20	C±0.38	D±0.25	E±0.51	F±0.38
06/12	0.500	0.700	0.860	1.175	1.435	0.750	12.70	17.78	21.84	29.85	36.45	19.05
07/14*	0.600	0.800	0.960	1.275	1.535	0.850	15.24	20.32	24.38	32.39	38.99	21.59
08/16*	0.700	0.900	1.060	1.375	1.635	0.950	17.78	22.86	26.92	34.93	41.53	24.13
10/20	0.900	1.100	1.260	1.575	1.835	1.150	22.86	27.94	32.00	40.01	46.61	29.21
12/24	1.100	1.300	1.460	1.775	2.035	1.350	27.94	33.02	37.08	45.09	51.69	34.29
15/30*	1.400	1.600	1.760	2.075	2.335	1.650	35.56	40.64	44.70	52.71	59.31	41.91
17/34	1.600	1.800	1.960	2.275	2.535	1.850	40.64	45.72	49.78	57.79	64.39	46.99
18/36	1.700	1.900	2.060	2.375	2.635	1.950	43.18	48.26	52.32	60.33	66.93	49.53
20/40*	1.900	2.100	2.260	2.575	2.835	2.150	48.26	53.34	57.40	65.41	72.01	54.61
22/44	2.100	2.300	2.460	2.775	3.035	2.350	53.34	58.42	62.48	70.49	77.09	59.69
24/48*	2.300	2.500	2.660	2.975	3.235	2.550	58.42	63.50	67.56	75.57	82.17	64.77
25/50*	2.400	2.600	2.760	3.075	3.335	2.650	60.96	66.04	70.10	78.11	84.71	67.31
28/56	2.700	2.900	3.060	3.375	3.635	2.950	68.58	73.66	77.72	85.73	92.33	74.93
30/60	2.900	3.100	3.260	3.575	3.835	3.150	73.66	78.74	82.80	90.81	97.41	80.01
31/62*	3.000	3.200	3.360	3.675	3.935	3.250	76.20	81.28	85.34	93.35	99.95	82.55
35/70	3.400	3.600	3.760	4.075	4.335	3.650	86.36	91.44	95.50	103.51	110.11	92.71
36/72	3.500	3.700	3.860	4.175	4.435	3.750	88.90	93.98	98.04	106.05	112.65	95.25
40/80*	3.900	4.100	4.260	4.575	4.835	4.150	99.06	104.14	108.20	116.21	122.81	105.41
43/86	4.200	4.400	4.560	4.875	5.135	4.450	106.68	111.76	115.82	123.83	130.43	113.03
44/88*	4.300	4.500	4.660	4.975	5.235	4.550	109.22	114.30	118.36	126.37	132.97	115.57
49/98*	4.800	5.000	5.160	5.475	5.735	5.050	121.92	127.00	131.06	139.07	145.67	128.27
50/100	4.900	5.100	5.260	5.575	5.835	5.150	124.46	129.54	133.60	141.61	148.21	130.81
55/110	5.400	5.600	5.760	6.075	6.335	5.650	137.16	142.24	146.30	154.31	160.91	143.51
60/120*	5.900	6.100	6.260	6.575	6.835	6.150	149.86	154.94	159.00	167.01	173.61	156.21
61/122	6.000	6.200	6.360	6.675	6.935	6.250	152.40	157.48	161.54	169.55	176.15	158.75
65/130*	6.400	6.600	6.760	7.075	7.335	6.650	162.56	167.64	171.70	179.71	186.31	168.91
70/140	6.900	7.100	7.260	7.575	7.835	7.150	175.26	180.34	184.40	192.41	199.01	181.61

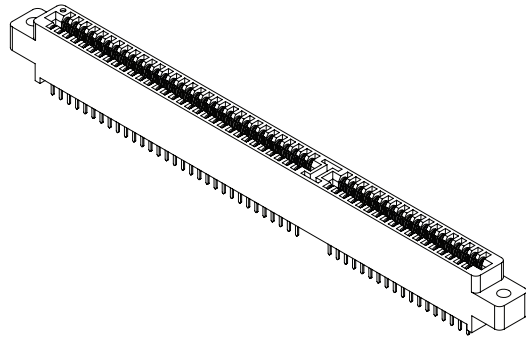
* Consult factory for availability.

Female Card Edge

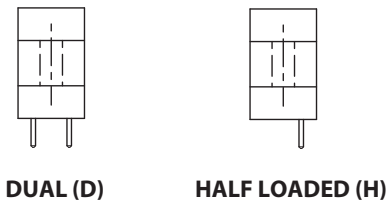
.100" [2.54 mm] Contact Centers, .610" [15.49 mm] Insulator Height, [ISA] Dip Solder/Wire Wrap/Right Angle

SPECIFICATIONS

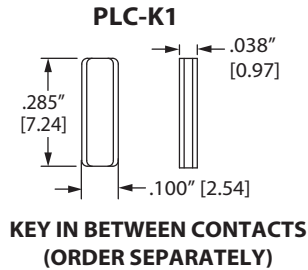
- Accommodates .062" ± .008" [1.57 mm ± 0.20 mm] PC board
- PBT or PA9T insulator
- Molded-in key available
- 3 Amps current rating for one contact energized
- 30 milli Ohms maximum at rate current
- UL Flammability Rating: 94V-0



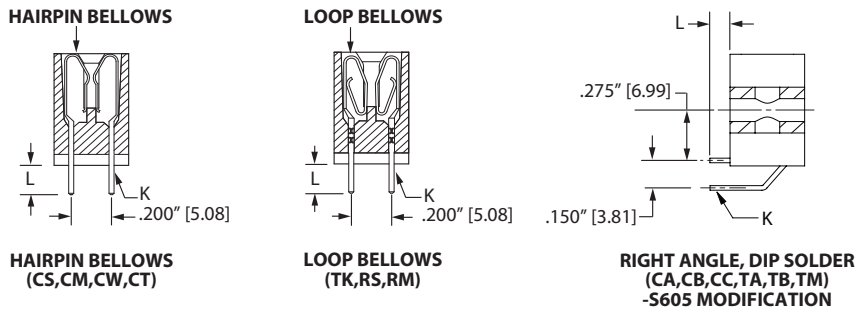
READOUT



POLARIZING KEY

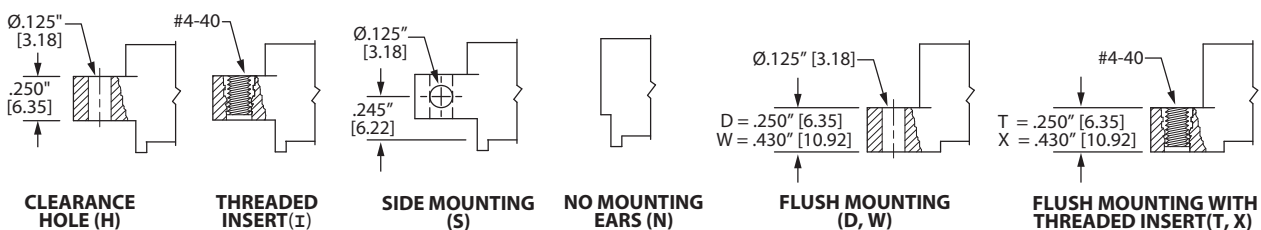


TERMINATION TYPE



HAIRPIN BELLOWS	LOOP	TERMINATION TYPE	POST CROSS SECTION K	POST LENGTH L .025" [0.64]	FITS MIN. HOLE SIZE
	TK, CK	DIP SOLDER	.025" [0.64] ROUND	.190" [4.83]	.033" [0.84]
	RS	DIP SOLDER	.025" [0.64] SQUARE	.190" [4.83]	.040" [1.02]
CM	RM	WIRE WRAP	.025" [0.64] SQUARE	.560" [14.20]	.040" [1.02]
CA	TA	RIGHT ANGLE	.025" [0.64] SQUARE	.100" [2.54]	.043" [1.09]
CB	TB	RIGHT ANGLE	.025" [0.64] SQUARE	.180" [4.57]	.043" [1.09]
CC	TM	RIGHT ANGLE	.025" [0.64] SQUARE	.250" [6.35]	.043" [1.09]
CW		DIP SOLDER	.015" X .025" [0.38 X 0.64]	.125" [3.18]	.035" [0.89]
CT		DIP SOLDER	.015" X .025" [0.38 X 0.64]	.170" [4.32]	.035" [0.89]
CS		DIP SOLDER	.025" [0.64] SQUARE	.160" [4.06]	.040" [1.02]

MOUNTING STYLE



.100" [2.54 mm] Contact Centers, .610" [15.49 mm] Insulator Height, [ISA] Dip Solder/Wire Wrap/Right Angle

PART NUMBER OPTIONS

MATERIALS (INSULATOR/CONTACT)

- E = PBT/Phosphor Bronze (Standard)
 - G = PA9T/Phosphor Bronze
 - H = PBT/Beryllium Copper
 - J = PA9T/Beryllium Copper
- (Consult factory for other materials.)
Refer to Page 7 for Operating/Processing Temperatures

CONTACT FINISH - RoHS Compliant

All platings are Lead Free and have .000050" Nickel underplate

Contact Surface	Termination
B = .000010" Gold	.000100" Pure Tin, Matte
C = .000030" Gold	.000100" Pure Tin, Matte
G = .000010" Gold	.000005" Gold
Y = .000030" Gold	.000005" Gold
Contact Surface	Overall Plating
S = .000010" Gold	.000010" Gold
M = .000030" Gold	.000010" Gold
E = .000100" Pure Tin, Matte	.000100" Pure Tin, Matte

CONTACT CENTERS

- C = .100" [2.54 mm]

NUMBER OF CONTACT POSITIONS

- 18, 31 or 49 (31/18)

READOUT (Opposite page)

- D = Dual
- H = Half Loaded

E B C 49 D CW N - S420

MODIFICATION CODE (Consult Factory)

ISA WITH RETENTION FEATURE

- S524 = 18 Positions
- S524 = 31 Positions
- S518 = 49 Positions (31/18)

ISA WITHOUT RETENTION FEATURE

- S371 = 18 Positions
- S371 = 31 Positions
- S420 = 49 Positions (31/18) Dip Solder or Wire Wrap
- S605 = 49 Positions (31/18) Right Angle**

MOUNTING STYLE (Opposite Page)

- H = Clearance Holes
- I = Threaded Inserts
- S = Side Mounting
- N = No Mounting
- D, W = Flush Mounting
- T, X = Flush Mounting With Threaded Inserts

TERMINATION TYPE (Opposite Page)

Hairpin Bellows *

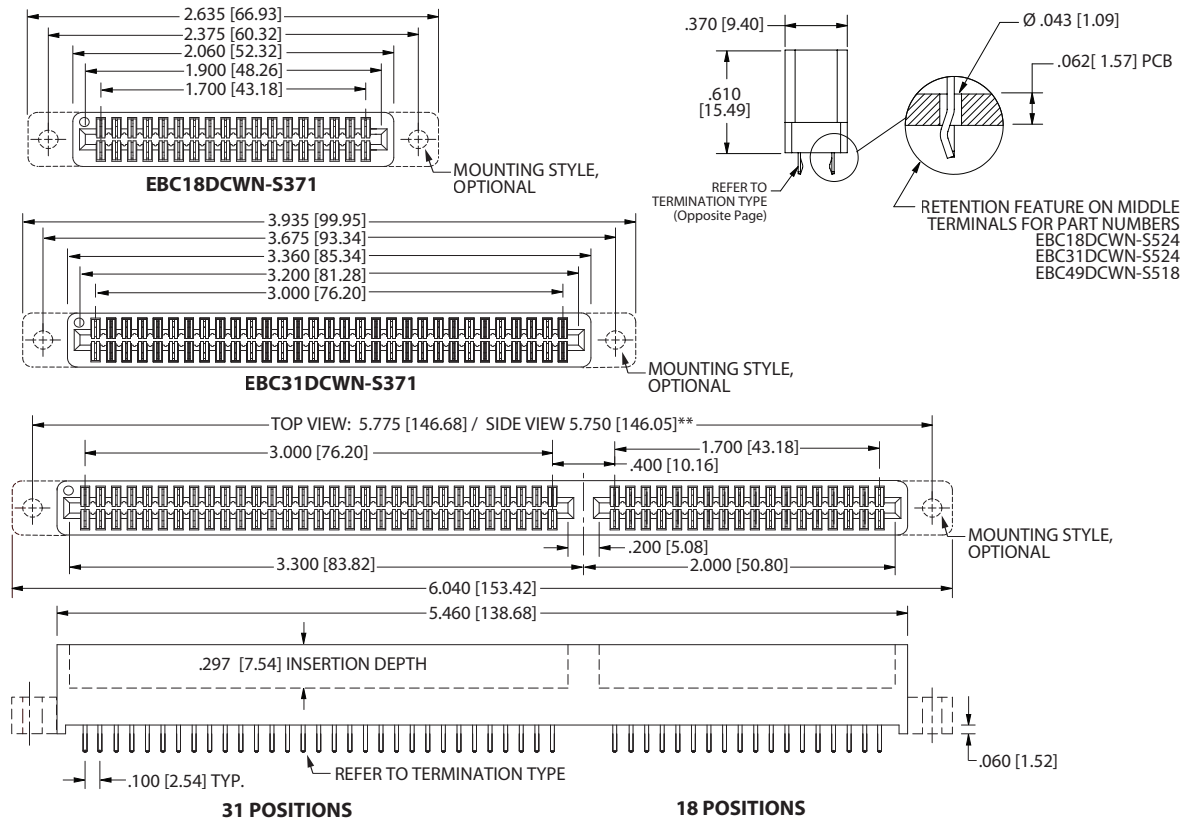
- CS = .025" [0.64 mm] Square Dip Solder
- CM = .025" [0.64 mm] Square Wire Wrap
- CA, CB, CC = .025" [0.64 mm] Square Right Angle
- CW, CT = .015" X .025" [0.38 mm X 0.64 mm] Dip Solder

Loop Bellows

- RS = .025" [0.64 mm] Square Dip Solder
- TK = .025" [0.64 mm] Round Dip Solder
- RM = .025" [0.64 mm] Square Wire Wrap
- TA, TB, TM = .025" [0.64 mm] Square Right Angle

* Available in B or C Plating and Phosphor Bronze only
Consult Factory for Cantilever Terminations

DIMENSIONS Dimensions in [] are in millimeters, all others are in inches.



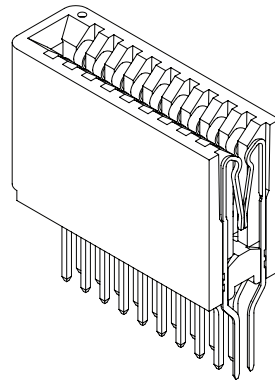
** 5.750 [146.05] ONLY APPLIES IF P/N ENDS WITH -S605 AND HAS SIDE MOUNTING (MTG CODE 'S')

Female Card Edge

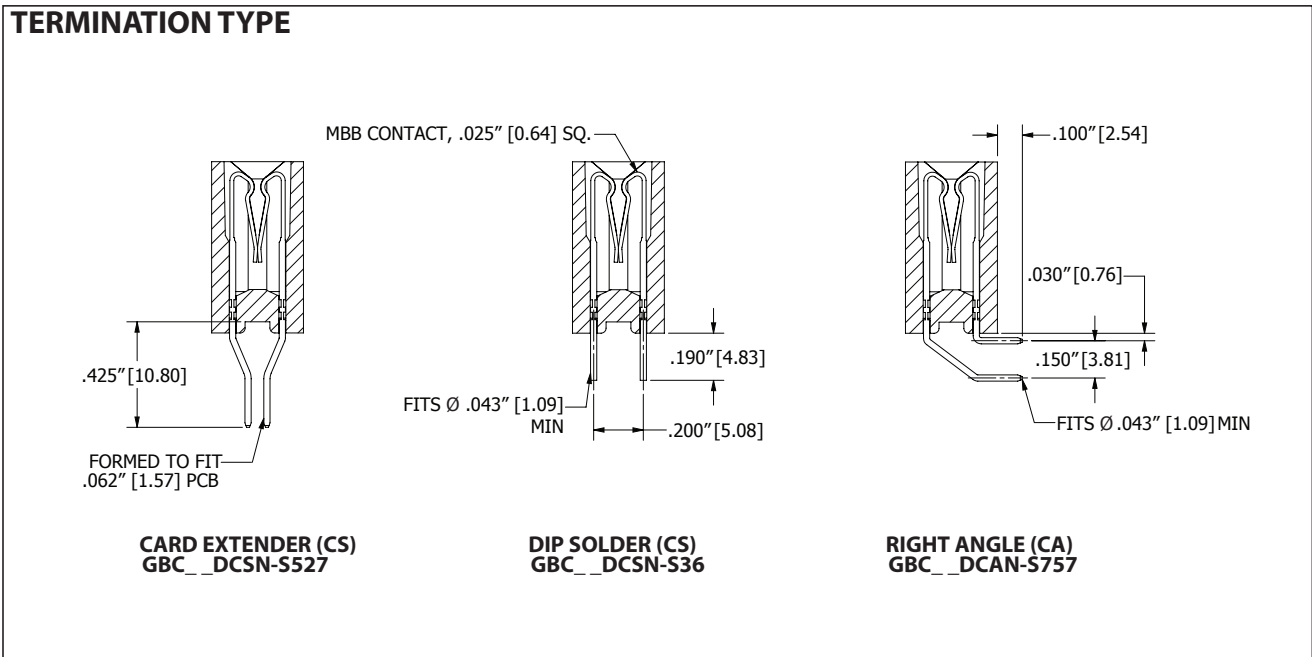
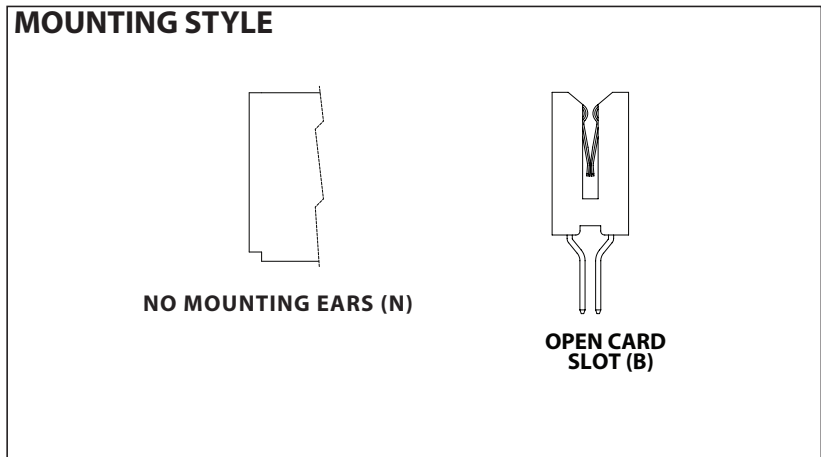
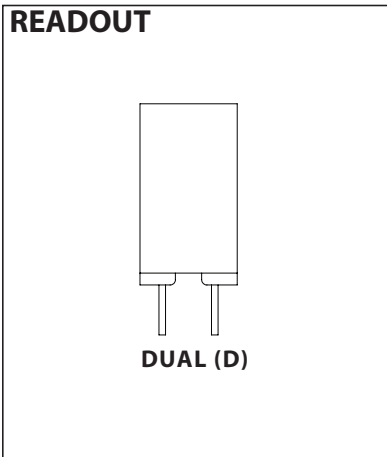
**.100" [2.54 mm] Contact Centers, .690" [17.52 mm] Insulator Height,
Make Before Break Dip Solder/Card Extender/Right Angle**

SPECIFICATIONS

- Accommodates .062" ± .008" [1.57 mm ± 0.20 mm] PC board
- PA9T insulator
- Molded-in key available
- 3 Amps current rating for one contact energized
- 30 milli Ohms maximum at rated current
- UL Flammability Rating: 94V-0



Female Card Edge



.100" [2.54 mm] Contact Centers, .690" [17.52 mm] Insulator Height, Make Before Break Dip Solder/Card Extender/Right Angle

PART NUMBER OPTIONS

MATERIALS (INSULATOR/CONTACT)

G = PA9T/Phosphor Bronze
 (Consult factory for other materials.)
 Refer to Page 7 for Operating/Processing Temperatures

CONTACT FINISH - RoHS Compliant

All platings are Lead Free and have .000050" Nickel underplate

Contact Surface	Termination
B = .000010" Gold	.000100" Pure Tin, Matte
C = .000030" Gold	.000100" Pure Tin, Matte

CONTACT CENTERS

C = .100" [2.54 mm]

NUMBER OF CONTACT POSITIONS

See Chart Below

G B C 10 D CS N - S36

MODIFICATION CODE (Consult Factory)

-S757 = MBB, .150" [3.81] Row to Row on Right Angle
 -S527 = MBB, Card Extender Accepts .062" [1.57 mm] PCB
 -S36 = MBB, Straight Dip-Solder

MOUNTING STYLE

N = No Mounting
 B = Open Card Slot Available for 50 position only

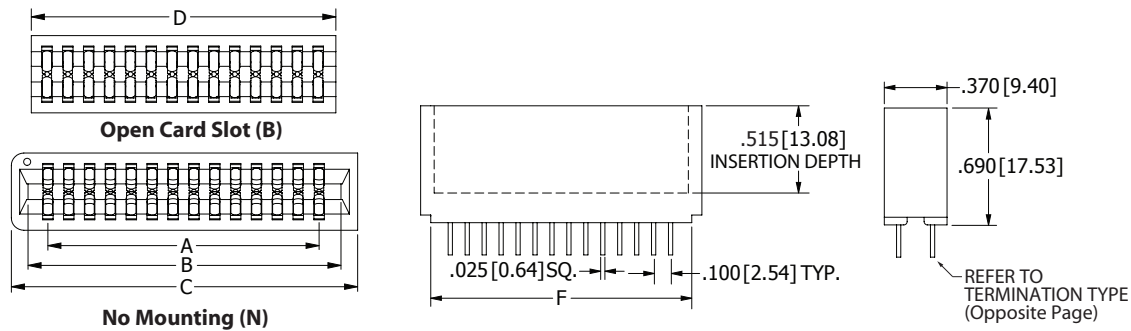
TERMINATION TYPE (Opposite Page)

Hairpin Bellows
 CS = .025" [0.64 mm] Square Dip Solder/Card Extender
 CA = .025" [0.64 mm] Square Right Angle

READOUT (Opposite Page)

D = Dual

DIMENSIONS Dimensions in [] are in millimeters, all others are in inches.



POSITIONS/ CONTACTS	A±.008 [0.20]		B±.008 [0.20]		C±.015 [0.38]		D±.020 [0.51]		F±.020 [0.51]	
	in	mm	in	mm	in	mm	in	mm	in	mm
02/04*	0.100	2.54	0.300	7.62	0.460	11.68	0.250	6.35	0.340	8.64
04/08*	0.300	7.62	0.500	12.70	0.660	16.76	0.450	11.43	0.540	13.72
06/12*	0.500	12.70	0.700	17.78	0.860	21.84	0.650	16.51	0.740	18.80
08/16*	0.700	17.78	0.900	22.86	1.060	26.92	0.850	21.59	0.940	23.88
10/20*	0.900	22.86	1.100	27.94	1.260	32.00	1.050	26.67	1.140	28.96
12/24*	1.100	27.94	1.300	33.02	1.460	37.08	1.250	31.75	1.340	34.04
14/28	1.300	33.02	1.500	38.10	1.660	42.16	1.450	36.83	1.540	39.12
16/32*	1.500	38.10	1.700	43.18	1.860	47.24	1.650	41.91	1.740	44.20
18/36*	1.700	43.18	1.900	48.26	2.060	52.32	1.850	46.99	1.940	49.28
20/40*	1.900	48.26	2.100	53.34	2.260	57.40	2.050	52.07	2.140	54.36
22/44*	2.100	53.34	2.300	58.42	2.460	62.48	2.250	57.15	2.340	59.44
24/48*	2.300	58.42	2.500	63.50	2.660	67.56	2.450	62.23	2.540	64.52
26/52*	2.500	63.50	2.700	68.58	2.860	72.64	2.650	67.31	2.740	69.60
28/56*	2.700	68.58	2.900	73.66	3.060	77.72	2.850	72.39	2.940	74.68
30/60*	2.900	73.66	3.100	78.74	3.260	82.80	3.050	77.47	3.140	79.76
32/64*	3.100	78.74	3.300	83.82	3.460	87.88	3.250	82.55	3.340	84.84
34/68*	3.300	83.82	3.500	88.90	3.660	92.96	3.450	87.63	3.540	89.92
36/72*	3.500	88.90	3.700	93.98	3.860	98.04	3.650	92.71	3.740	95.00
38/76*	3.700	93.98	3.900	99.06	4.060	103.12	3.850	97.79	3.940	100.08
40/80*	3.900	99.06	4.100	104.14	4.260	108.20	4.050	102.87	4.140	105.16
42/84*	4.100	104.14	4.300	109.22	4.460	113.28	4.250	107.95	4.340	110.24
44/88*	4.300	109.22	4.500	114.30	4.660	118.36	4.450	113.03	4.540	115.32
46/92*	4.500	114.30	4.700	119.38	4.860	123.44	4.650	118.11	4.740	120.40
48/96*	4.700	119.38	4.900	124.46	5.060	128.52	4.850	123.19	4.940	125.48
50/100	4.900	124.46	5.100	129.54	5.260	133.60	5.050	128.27	5.140	130.56

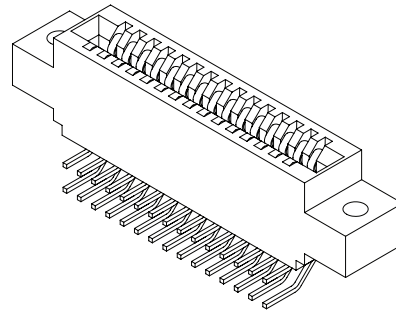
* Consult factory for availability.

Female Card Edge

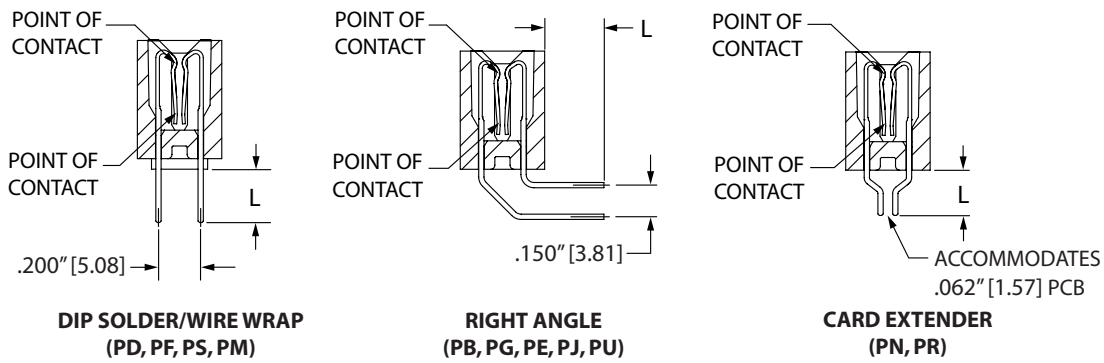
.100" [2.54 mm] Contact Centers, .560" [14.22 mm] Profile, .400" [10.16 mm] Wide Body, Double Point Contact, Dip Solder/Wire Wrap/Right Angle/Card Extender

SPECIFICATIONS

- Accommodates .062" ± .008" [1.57 mm ± 0.20 mm] PC board
- PPS, PBT or PA9T insulator
- 3 Amps current rating for one contact energized
- 30 milli Ohms maximum at rated current
- UL Flammability Rating: 94V-0



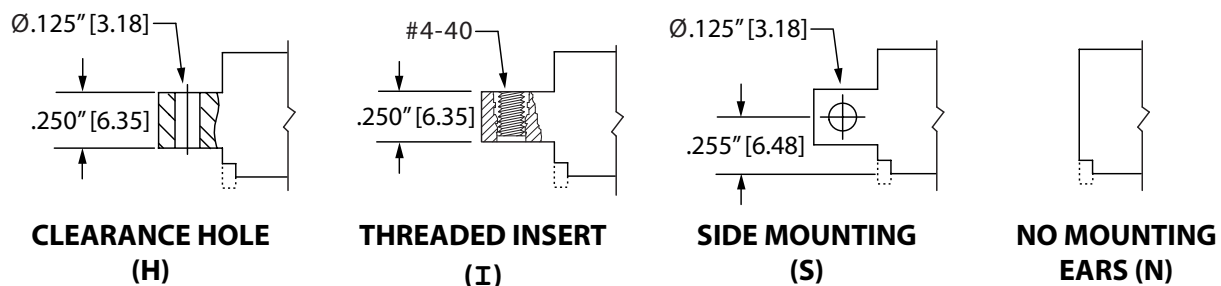
TERMINATION TYPE



TERMINATION	TERMINATION TYPE	* POST LENGTH L ±.025" [0.64]	FITS MIN. HOLE SIZE	STANDOFF
PD	DIP SOLDER	.160" [4.06]	.043" [1.09]	YES
PS	DIP SOLDER	.190" [4.83]	.043" [1.09]	YES
PF	DIP SOLDER	.270" [6.86]	.043" [1.09]	YES
PM	WIRE WRAP	.560" [14.22]	.043" [1.09]	YES
PB	RIGHT ANGLE	.100" [2.54]	.043" [1.09]	NO
PG	RIGHT ANGLE	.140" [3.56]	.043" [1.09]	NO
PE	RIGHT ANGLE	.180" [4.57]	.043" [1.09]	NO
PU	RIGHT ANGLE	.250" [6.35]	.043" [1.09]	NO
PJ	RIGHT ANGLE	.500" [12.70]	.043" [1.09]	NO
PR	CARD EXTENDER	.225" [5.73]	N/A	NO
PN	CARD EXTENDER	.595" [15.12]	N/A	NO

* OTHER POST LENGTHS AVAILABLE, CONTACT FACTORY.

MOUNTING STYLE (Standoffs included on straight terminations only.)



.100" [2.54 mm] Contact Centers, .560" [14.22 mm] Profile, .400" [10.16 mm] Wide Body, Double Point Contact, Dip Solder/Wire Wrap/Right Angle/Card Extender

PART NUMBER OPTIONS

MATERIALS (INSULATOR/CONTACT)

- E = PBT/Phosphor Bronze
- R = PPS/Phosphor Bronze
- G = PA9T/Phosphor Bronze
- H = PBT/Beryllium Copper
- A = PPS/Beryllium Copper
- J = PA9T/Beryllium Copper

(Consult factory for other materials.)

Refer to Page 7 for Operating/Processing Temperatures

CONTACT FINISH - RoHS Compliant

All platings are Lead Free and have .000050" Nickel underplate

- | Contact Surface | Termination |
|-------------------|--------------------------|
| B = .000010" Gold | .000100" Pure Tin, Matte |
| C = .000030" Gold | .000100" Pure Tin, Matte |

CONTACT CENTERS

- C = .100" [2.54 mm]

NUMBER OF CONTACT POSITIONS

See Chart Below

E B C 10 D PD H - Sxxx

MODIFICATION CODE (Consult Factory)
OMIT FOR STANDARD

MOUNTING STYLE (Opposite Page)

- H = Clearance Holes
- I = Threaded Inserts
- S = Side Mounting
- N = No Mounting

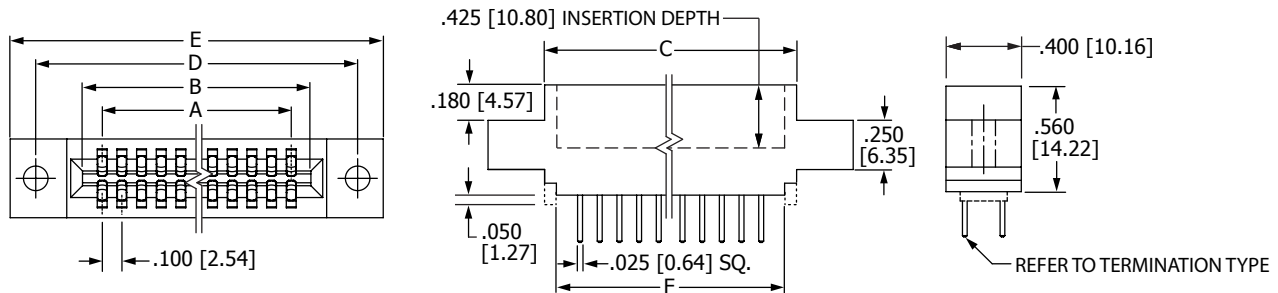
TERMINATION TYPE (Opposite Page)

- PD, PF, PS = .025" [0.64 mm] Square Dip Solder
- PM = .025" [0.64 mm] Square Wire Wrap
- PB, PG, PE, PJ, PU = .025" [0.64 mm] Square Right Angle
- PN, PR = .025" [0.64 mm] Square Card Extender

READOUT (Opposite Page)

- D = Dual

DIMENSIONS Dimensions in [] are in millimeters, all others are in inches.



Tolerances on non-critical dimensions may vary slightly due to shrinkage differential per insulator material; Consult factory.

POSITIONS/ CONTACTS	INCHES						MILLIMETERS					
	A±.008	B±.008	C±.015	D±.010	E±.020	F±.015	A±0.20	B±0.20	C±0.38	D±0.25	E±0.51	F±0.38
06/12	0.500	0.700	0.860	1.175	1.435	0.740	12.70	17.78	21.84	29.85	36.45	18.80
07/14*	0.600	0.800	0.960	1.275	1.535	0.840	15.24	20.32	24.38	32.39	38.99	21.34
08/16	0.700	0.900	1.060	1.375	1.635	0.940	17.78	22.86	26.92	34.93	41.53	23.88
10/20	0.900	1.100	1.260	1.575	1.835	1.140	22.86	27.94	32.00	40.01	46.61	28.96
12/24*	1.100	1.300	1.460	1.775	2.035	1.340	27.94	33.02	37.08	45.09	51.69	34.04
13/26*	1.200	1.400	1.560	1.875	2.135	1.440	30.48	35.56	39.62	47.63	54.23	36.58
15/30	1.400	1.600	1.760	2.075	2.335	1.640	35.56	40.64	44.70	52.71	59.31	41.66
17/34*	1.600	1.800	1.960	2.275	2.535	1.840	40.64	45.72	49.78	57.79	64.39	46.74
18/36*	1.700	1.900	2.060	2.375	2.635	1.940	43.18	48.26	52.32	60.33	66.93	49.28
20/40	1.900	2.100	2.260	2.575	2.835	2.140	48.26	53.34	57.40	65.41	72.01	54.36
22/44*	2.100	2.300	2.460	2.775	3.035	2.340	53.34	58.42	62.48	70.49	77.09	59.44
24/48*	2.300	2.500	2.660	2.975	3.235	2.540	58.42	63.50	67.56	75.57	82.17	64.52
25/50*	2.400	2.600	2.760	3.075	3.335	2.640	60.96	66.04	70.10	78.11	84.71	67.06
28/56*	2.700	2.900	3.060	3.375	3.635	2.940	68.58	73.66	77.72	85.73	92.33	74.68
30/60	2.900	3.100	3.260	3.575	3.835	3.140	73.66	78.74	82.80	90.81	97.41	79.76
31/62*	3.000	3.200	3.360	3.675	3.935	3.240	76.20	81.28	85.34	93.35	99.95	82.30
35/70*	3.400	3.600	3.760	4.075	4.335	3.640	86.36	91.44	95.50	103.51	110.11	92.46
36/72*	3.500	3.700	3.860	4.175	4.435	3.740	88.90	93.98	98.04	106.05	112.65	95.00
40/80	3.900	4.100	4.260	4.575	4.835	4.140	99.06	104.14	108.20	116.21	122.81	105.16
43/86	4.200	4.400	4.560	4.875	5.135	4.440	106.68	111.76	115.82	123.83	130.43	112.78
44/88	4.300	4.500	4.660	4.975	5.235	4.540	109.22	114.30	118.36	126.37	132.97	115.32
49/98*	4.800	5.000	5.160	5.475	5.735	5.040	121.92	127.00	131.06	139.07	145.67	128.02
50/100	4.900	5.100	5.260	5.575	5.835	5.140	124.46	129.54	133.60	141.61	148.21	130.56
55/110*	5.400	5.600	5.760	6.075	6.335	5.640	137.16	142.24	146.30	154.31	160.91	143.26
60/120*	5.900	6.100	6.260	6.575	6.835	6.140	149.86	154.94	159.00	167.01	173.61	155.96
61/122*	6.000	6.200	6.360	6.675	6.935	6.240	152.40	157.48	161.54	169.55	176.15	158.50
65/130*	6.400	6.600	6.760	7.075	7.335	6.640	162.56	167.64	171.70	179.71	186.31	168.66
70/140*	6.900	7.100	7.260	7.575	7.835	7.140	175.26	180.34	184.40	192.41	199.01	181.36

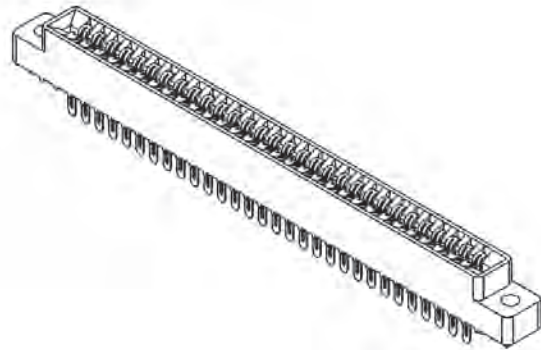
* Consult factory for availability.

Female Card Edge

.125" [3.18 mm] Contact Centers, .431" [10.95 mm] Insulator Height, Dip Solder/Eyelet/Right Angle for .062" [1.57 mm] or .031" [0.79 mm] Mating PCB

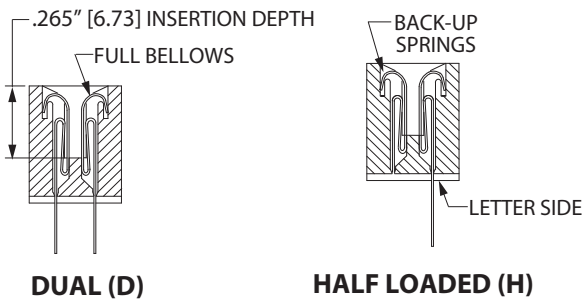
SPECIFICATIONS

- Accommodates .062" ± .008" [1.57 mm ± 0.20 mm] PC board or .031" ± .006" [0.79 mm ± 0.15 mm] PC board
- Molded-in key available
- 3 Amps current rating for one contact energized
- 30 milli Ohms maximum at rated current
- UL Flammability Rating: 94V-0

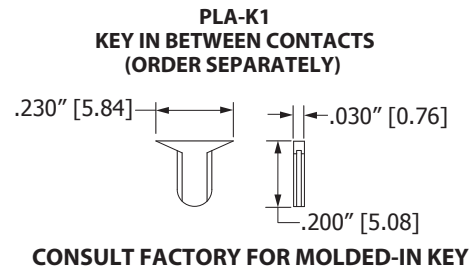


Female Card Edge

READOUT

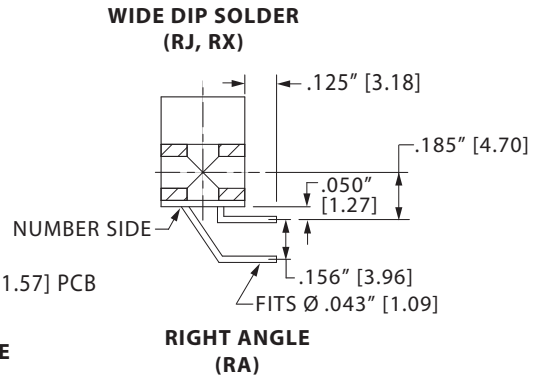
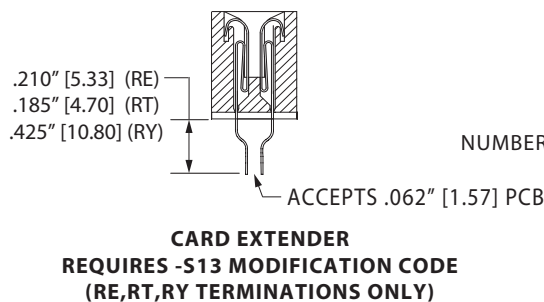
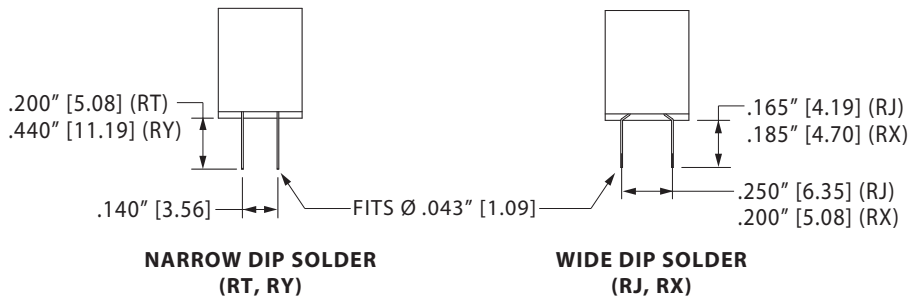
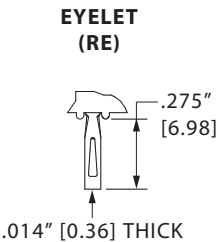
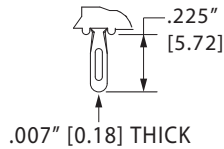


POLARIZING KEY

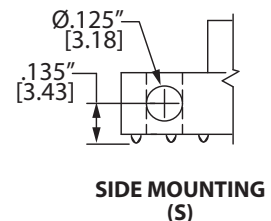
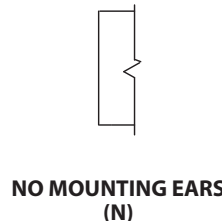
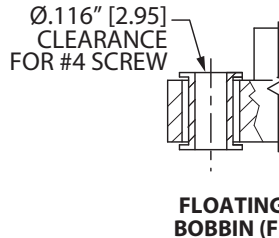
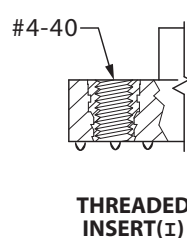
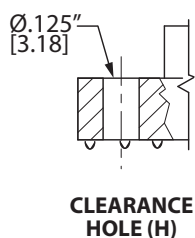


TERMINATION TYPE

EYELET ACCEPTS 3-#26 AWG



MOUNTING STYLE



.125" [3.18 mm] Contact Centers, .431" [10.95 mm] Insulator Height, Dip Solder/Eyelet/Right Angle for .062" [1.57 mm] or .031" [0.79 mm] Mating PCB

PART NUMBER OPTIONS

MATERIALS (INSULATOR/CONTACT)

- E = PBT/Phosphor Bronze (Standard)
- R = PPS/Phosphor Bronze
- G = PA9T/Phosphor Bronze
- H = PBT/Beryllium Copper
- A = PPS/Beryllium Copper
- J = PA9T/Beryllium Copper
- *F = PPS/Spinodal (Overall Gold Plating Only)
- Consult factory for special soldering guidelines.
- *C = PPS/Beryllium Nickel (Overall Gold Plating Only)
- *W = PEEK/Beryllium Nickel (Overall Gold Plating Only)
- *Consult factory for availability.
- Refer to Page 7 for Operating/Processing Temperatures

CONTACT FINISH - RoHS Compliant

All platings are Lead Free and have .000050" Nickel underplate

Contact Surface	Termination
B = .000010" Gold	.000100" Pure Tin, Matte
C = .000030" Gold	.000100" Pure Tin, Matte
G = .000010" Gold	.000005" Gold
Y = .000030" Gold	.000005" Gold
Contact Surface	Overall Plating
S = .000010" Gold	.000010" Gold
M = .000030" Gold	.000010" Gold
E = .000100" Pure Tin, Matte	.000100" Pure Tin, Matte

CONTACT CENTERS

A = .125" [3.18 mm]

E B A 43 D R E H - Sxxx

MODIFICATION CODE (Consult Factory)

OMIT FOR STANDARD

-S13 = Card Extender Accepts .062" [1.57 mm] PCB (RE, RT, RY Terminations Only)

-S734 = .031" ± .006" [0.79 mm ± 0.15 mm] Thick PCB

MOUNTING STYLE (Opposite Page)

H = .125" [3.18 mm] Clearance Holes

N = No Mounting

S = Side Mounting

I = Threaded Insert

F = Floating Bobbin

TERMINATION TYPE (Opposite Page)

RA = Right Angle

RE = Eyelet (Standard)

TE = Eyelet (Overall Plated Only)

RT = .140" [3.56 mm] X .200" [5.08 mm] Dip Solder

RY = .140" [3.56 mm] X .440" [11.19 mm] Dip Solder

RX = .200" [5.08 mm] X .185" [4.70 mm] Dip Solder

RJ = .250" [6.35 mm] X .165" [4.19 mm] Dip Solder

READOUT (Opposite Page)

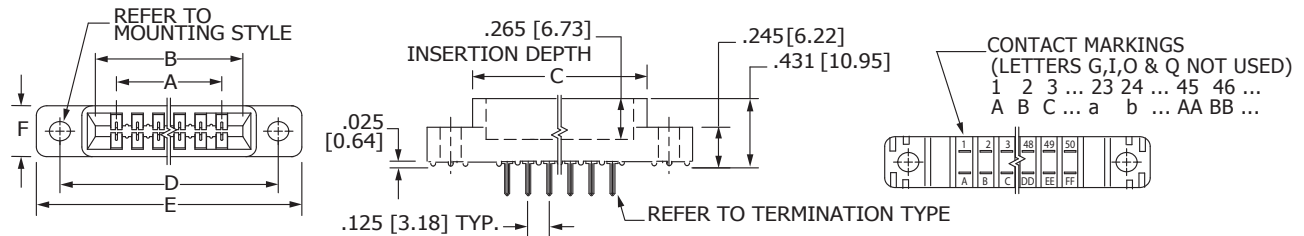
D = Dual

H = Half Loaded

NUMBER OF CONTACT POSITIONS

See Chart Below

DIMENSIONS Dimensions in [] are in millimeters, all others are in inches.



Tolerances on non-critical dimensions may vary slightly due to shrinkage differential per insulator material; Consult factory.

POSITIONS/ CONTACTS	INCHES						MILLIMETERS						
	A±.008	B±.008	C±.015	D±.010	E±.020	F+/.005/-0.015	A±0.20	B±0.20	C±0.38	D±0.25	E±0.51	F+0.13/-0.38	
06/12	0.625	0.875	1.035	1.295	1.575	0.330	15.88	22.23	26.29	32.89	40.01	8.38	
10/20	1.125	1.375	1.535	1.795	2.075		28.58	34.93	38.99	45.59	52.71		
14/28	1.625	1.875	2.035	2.295	2.575		41.28	47.63	51.69	58.29	65.41		
15/30	1.750	2.000	2.160	2.420	2.700		44.45	50.80	54.86	61.47	68.58		
18/36	2.125	2.375	2.535	2.795	3.075		53.98	60.33	64.39	70.99	78.11		
22/44	2.625	2.875	3.035	3.295	3.575		66.68	73.03	77.09	83.69	90.81		
28/56	3.375	3.625	3.785	4.045	4.325		85.73	92.08	96.14	102.74	109.86		
30/60	3.625	3.875	4.035	4.295	4.575		92.08	98.43	102.49	109.09	116.21		
31/62	3.750	4.000	4.160	4.420	4.700		95.25	101.60	105.66	112.27	119.38		
35/70	4.250	4.500	4.660	4.920	5.200		107.95	114.30	118.36	124.97	132.08		
36/72	4.375	4.625	4.785	5.045	5.325		111.13	117.48	121.54	128.14	135.26		
37/74	4.500	4.750	4.910	5.170	5.450		114.30	120.65	124.71	131.32	138.43		
40/80	4.875	5.125	5.285	5.545	5.825		123.83	130.18	134.24	140.84	147.96		9.40
43/86	5.250	5.500	5.660	5.920	6.200		133.35	139.70	143.76	150.37	157.48		
44/88	5.375	5.625	5.785	6.045	6.325	136.53	142.88	146.94	153.54	160.66			
49/98	6.000	6.250	6.410	6.670	6.950	152.40	158.75	162.81	169.42	176.53			
50/100	6.125	6.375	6.535	6.795	7.075	155.58	161.93	165.99	172.59	179.71			

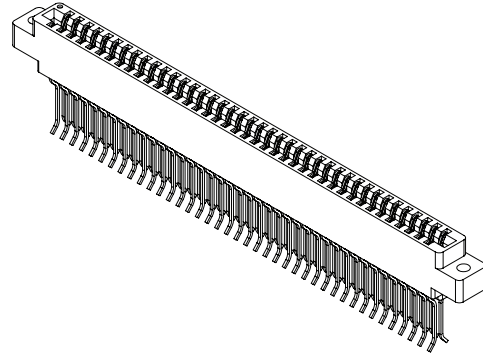
Female Card Edge

Female Card Edge

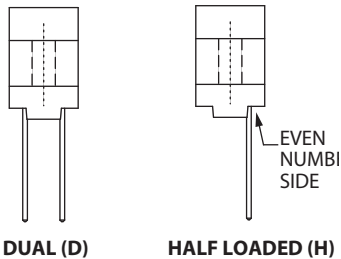
.125" [3.18 mm] Contact Centers, .610" [15.49 mm] Insulator Height, Dip Solder/Wire Wrap/Right Angle

SPECIFICATIONS

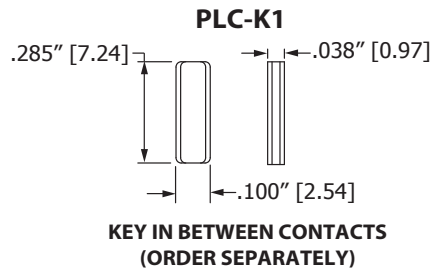
- Accommodates $.062" \pm .008"$ [1.57 mm \pm 0.20 mm] PC board (See following pages for $.093" \pm .008"$ [2.36 mm \pm 0.20 mm] and $.125" \pm .008"$ [3.18 mm \pm 0.20 mm] mating PCB)
- PBT, PPS or PA9T insulator
- Molded-in key available
- 3 Amps current rating for one contact energized
- 30 milli Ohms maximum at rated current
- UL Flammability Rating: 94V-0



READOUT

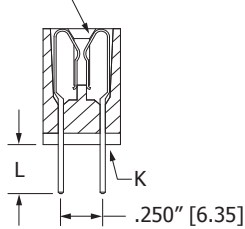


POLARIZING KEY



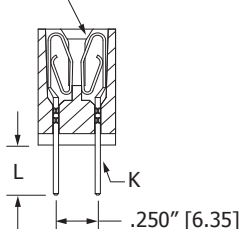
TERMINATION TYPE

HAIRPIN BELLOWS

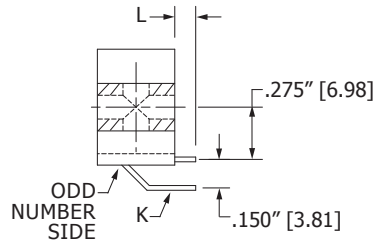


HAIRPIN BELLOWS (CS,CM,CW,CT)

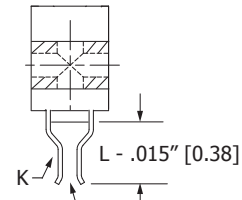
LOOP BELLOWS



LOOP BELLOWS (TK,RS,RM,CK)



RIGHT ANGLE, DIP SOLDER (CA,CB,CC,TA,TB,TM)

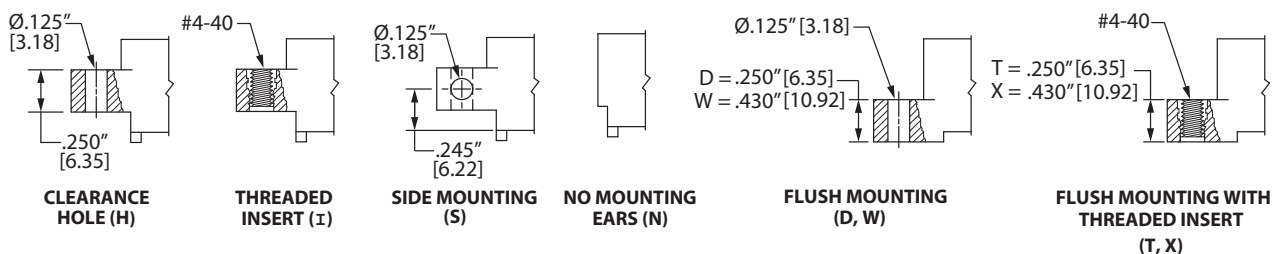


CARD EXTENDER REQUIRES -S288 MODIFICATION CODE (CS,CM,CT,RS,CK,TK,RM)

ACCEPTS $.062"$ [1.57] PCB

HAIRPIN BELLOWS	LOOP BELLOWS	TERMINATION TYPE	POST CROSS SECTION K	POST LENGTH $L \pm .025"$ [0.64]	FITS MIN. HOLE SIZE
	TK, CK	DIP SOLDER	.025" [0.64] ROUND	.190" [4.83]	.033" [0.84]
	RS	DIP SOLDER	.025" [0.64] SQUARE	.190" [4.83]	.040" [1.02]
CM	RM	WIRE WRAP	.025" [0.64] SQUARE	.560" [14.20]	.040" [1.02]
CA	TA	RIGHT ANGLE	.025" [0.64] SQUARE	.100" [2.54]	.043" [1.09]
CB	TB	RIGHT ANGLE	.025" [0.64] SQUARE	.180" [4.57]	.043" [1.09]
CC	TM	RIGHT ANGLE	.025" [0.64] SQUARE	.250" [6.35]	.043" [1.09]
CW		DIP SOLDER	.015" X .025" [0.38 X 0.64]	.125" [3.18]	.035" [0.89]
CT		DIP SOLDER	.015" X .025" [0.38 X 0.64]	.170" [4.32]	.035" [0.89]
CS		DIP SOLDER	.025" [0.64] SQUARE	.160" [4.06]	.040" [1.02]

MOUNTING STYLE



.125" [3.18 mm] Contact Centers, .610" [15.49 mm] Insulator Height, Dip Solder/Wire Wrap/Right Angle

PART NUMBER OPTIONS

MATERIALS (INSULATOR/CONTACT)

E = PBT/Phosphor Bronze (Standard)
 R = PPS/Phosphor Bronze
 G = PA9T/Phosphor Bronze
 H = PBT/Beryllium Copper
 A = PPS/Beryllium Copper
 J = PA9T/Beryllium Copper
 (Consult factory for other materials.)
 Refer to Page 7 for Operating/Processing Temperatures

CONTACT FINISH - RoHS Compliant

All platings are Lead Free and have .000050" Nickel underplate

Contact Surface	Termination
B = .000010" Gold	.000100" Pure Tin, Matte
C = .000030" Gold	.000100" Pure Tin, Matte
G = .000010" Gold	.000005" Gold
Y = .000030" Gold	.000005" Gold
Contact Surface	Overall Plating
S = .000010" Gold	.000010" Gold
M = .000030" Gold	.000010" Gold
E = .000100" Pure Tin, Matte	.000100" Pure Tin, Matte

CONTACT CENTERS

A = .125" [3.18 mm]

NUMBER OF CONTACT POSITIONS

See Chart Below

READOUT (Opposite Page)

D = Dual
 H = Half Loaded

E B A 50 D CM H - Sxxx

MODIFICATION CODE (Consult Factory)

OMIT FOR STANDARD

-S288 = Card Extender Accepts .062" [1.57 mm] PCB

MOUNTING STYLE (Opposite Page)

H = Clearance Holes
 I = Threaded Inserts
 S = Side Mounting
 N = No Mounting
 W = Flush Mounting
 D = Flush Mounting
 X = Flush Mounting with Threaded Inserts
 T = Flush Mounting with Threaded Inserts

TERMINATION TYPE (Opposite Page)

Hairpin Bellows **

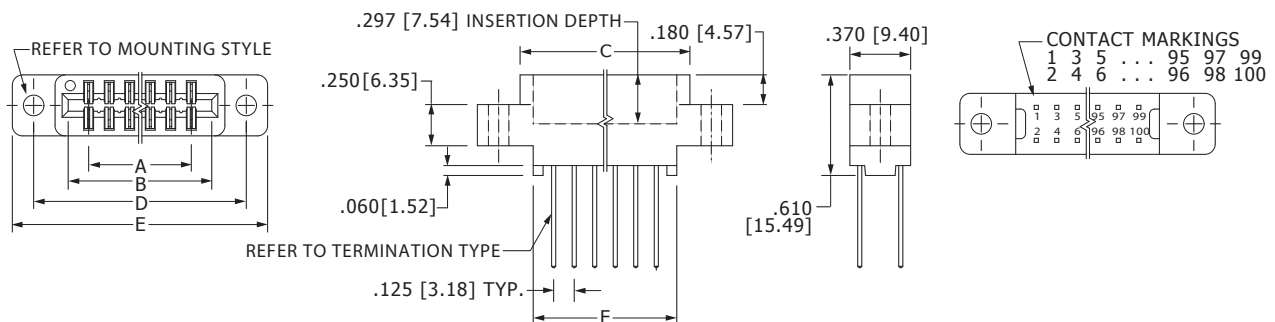
**Available with B or C plating and Phosphor Bronze Only

CS = .025" [0.64 mm] Square Dip Solder
 CM = .025" [0.64 mm] Square Wire Wrap
 CA, CB, CC = .025" [0.64 mm] Square Right Angle
 CW, CT = .015" X .025" [0.38 mm X 0.64 mm] Dip Solder

Loop Bellows

RS = .025" [0.64 mm] Square Dip Solder
 CK, TK = .025" [0.64 mm] Round Dip Solder
 RM = .025" [0.64 mm] Square Wire Wrap
 TA, TB, TM = .025" [0.64 mm] Square Right Angle

DIMENSIONS Dimensions in [] are in millimeters, all others are in inches.



Tolerances on non-critical dimensions may vary slightly due to shrinkage differential per insulator material; Consult factory.

POSITIONS/ CONTACTS	INCHES						MILLIMETERS					
	A±.008	B±.008	C±.015	D±.010	E±.020	F±.015	A±0.20	B±0.20	C±0.38	D±0.25	E±0.51	F±0.38
06/12	0.625	0.875	1.035	1.295	1.555	0.875	15.88	22.23	26.29	32.89	39.50	22.23
10/20	1.125	1.375	1.535	1.795	2.055	1.375	28.58	34.93	38.99	45.59	52.20	34.93
14/28	1.625	1.875	2.035	2.295	2.555	1.875	41.28	47.63	51.69	58.29	64.90	47.63
15/30	1.750	2.000	2.160	2.420	2.680	2.000	44.45	50.80	54.86	61.47	68.07	50.80
18/36	2.125	2.375	2.535	2.795	3.055	2.375	53.98	60.33	64.39	70.99	77.60	60.33
22/44	2.625	2.875	3.035	3.295	3.555	2.875	66.68	73.03	77.09	83.69	90.30	73.03
24/48	2.875	3.125	3.285	3.545	3.805	3.125	73.03	79.38	83.44	90.04	96.65	79.38
25/50*	3.000	3.250	3.410	3.670	3.930	3.250	76.20	82.55	86.61	93.22	99.82	82.55
28/56	3.375	3.625	3.785	4.045	4.305	3.625	85.73	92.08	96.14	102.74	109.35	92.08
30/60	3.625	3.875	4.035	4.295	4.555	3.875	92.08	98.43	102.49	109.09	115.70	98.43
31/62	3.750	4.000	4.160	4.420	4.680	4.000	95.25	101.60	105.66	112.27	118.87	101.60
32/64	3.875	4.125	4.285	4.545	4.805	4.125	98.43	104.78	108.84	115.44	122.05	104.78
35/70	4.250	4.500	4.660	4.920	5.180	4.500	107.95	114.30	118.36	124.97	131.57	114.30
36/72	4.375	4.625	4.785	5.045	5.305	4.625	111.13	117.48	121.54	128.14	134.75	117.48
40/80	4.875	5.125	5.285	5.545	5.805	5.125	123.83	130.18	134.24	140.84	147.45	130.18
43/86	5.250	5.500	5.660	5.920	6.180	5.500	133.35	139.70	143.76	150.37	156.97	139.70
44/88	5.375	5.625	5.785	6.045	6.305	5.625	136.53	142.88	146.94	153.54	160.15	142.88
49/98	6.000	6.250	6.410	6.670	6.930	6.250	152.40	158.75	162.81	169.42	176.02	158.75
50/100	6.125	6.375	6.535	6.795	7.055	6.375	155.58	161.93	165.99	172.59	179.20	161.93

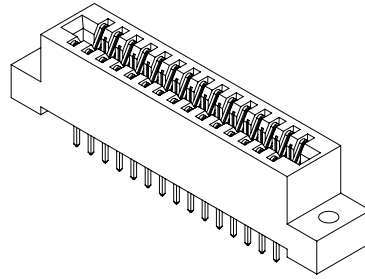
* Consult factory for availability.

Female Card Edge

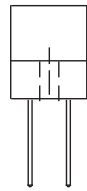
**.125" [3.18 mm] Contact Centers, .610" [15.49 mm] Insulator Height,
Dip Solder/Wire Wrap/Right Angle for .093" [2.36 mm] or .125" [3.18 mm] Mating PCB**

SPECIFICATIONS

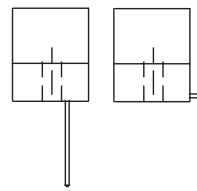
- Accommodates .093" ± .008" [2.36 mm ± 0.20 mm] PC board or .125" ± .008" [3.18 mm ± 0.20 mm] mating PCB
- PBT, PPS or PA9T insulator
- Molded-in key available
- 3 Amps current rating for one contact energized
- 30 milli Ohms maximum at rated current
- UL Flammability Rating: 94V-0



READOUT

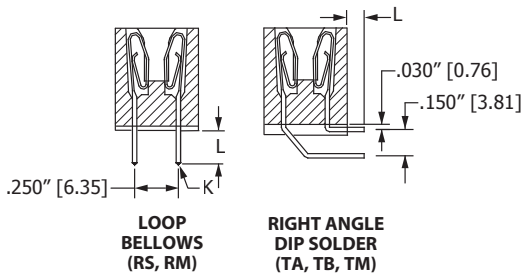


DUAL (D)



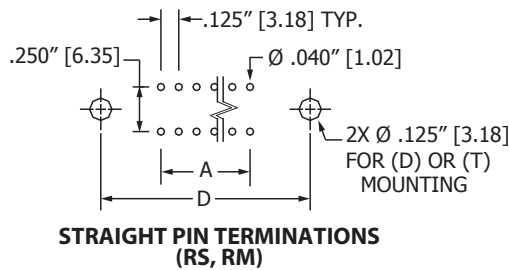
HALF LOADED (H)

TERMINATION TYPE

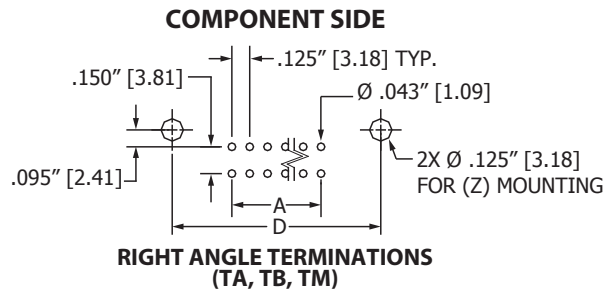


TERMINATION TYPE	POST CROSS SECTION (K)	POST LENGTH L ± .025" [0.64]	FITS MIN. HOLE SIZE
RS DIP SOLDER	.025" [0.64] SQ.	.190" [4.83]	.040" [1.02]
RM WIRE WRAP	.025" [0.64] SQ.	.560" [14.20]	.040" [1.02]
TA RIGHT ANGLE	.025" [0.64] SQ.	.100" [2.54]	.043" [1.09]
TB RIGHT ANGLE	.025" [0.64] SQ.	.180" [4.57]	.043" [1.09]
TM RIGHT ANGLE	.025" [0.64] SQ.	.250" [6.35]	.043" [1.09]

PCB LAYOUT

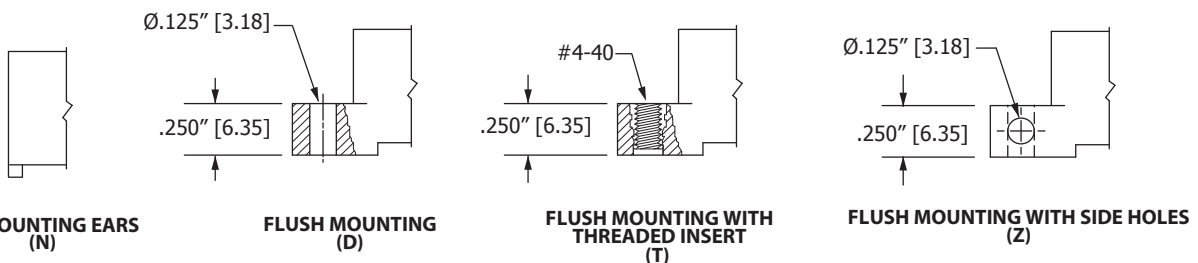


STRAIGHT PIN TERMINATIONS (RS, RM)



RIGHT ANGLE TERMINATIONS (TA, TB, TM)

MOUNTING STYLE



NO MOUNTING EARS (N)

FLUSH MOUNTING (D)

FLUSH MOUNTING WITH THREADED INSERT (T)

FLUSH MOUNTING WITH SIDE HOLES (Z)

.125" [3.18 mm] Contact Centers, .610" [15.49 mm] Insulator Height, Dip Solder/Wire Wrap/Right Angle for .093" [2.36 mm] or .125" [3.18 mm] Mating PCB

PART NUMBER OPTIONS

MATERIALS (INSULATOR/CONTACT)

E = PBT/Phosphor Bronze(Standard)
 R = PPS/Phosphor Bronze
 G = PA9T/Phosphor Bronze
 H = PBT & Beryllium Copper
 A = PPS & Beryllium Copper
 J = PA9T & Beryllium Copper
 (Consult factory for other materials.)
 Refer to Page 7 for Operating/Processing Temperatures

CONTACT FINISH - RoHS Compliant

All platings are Lead Free and have .000050" Nickel underplate

Contact Surface	Termination
B = .000010" Gold	.000100" Pure Tin, Matte
C = .000030" Gold	.000100" Pure Tin, Matte
G = .000010" Gold	.000005" Gold
Y = .000030" Gold	.000005" Gold
Contact Surface	Overall Plating
S = .000010" Gold	.000010" Gold
M = .000030" Gold	.000010" Gold
E = .000100" Pure Tin, Matte	.000100" Pure Tin, Matte

CONTACT CENTERS

A = .125" [3.18 mm]

E B A 50 D R M D - S273

MODIFICATION CODE (Consult Factory)

-S273 = FOR .093" ± .008" [2.36 mm ± 0.20 mm] THICK MATING PCB
 -S664 = FOR .125" ± .008" [3.18 mm ± 0.20 mm] THICK MATING PCB

MOUNTING STYLE (Opposite Page)

N = No Mounting
 D = Flush Mounting
 T = Flush Mounting With Threaded Inserts
 Z = Flush Mounting With Side Holes

TERMINATION TYPE (Opposite Page)

RS = .025" [0.64 mm] Square Dip Solder
 RM = .025" [0.64 mm] Square Wire Wrap
 TA, TB, TM = .025" [0.64 mm] Square Right Angle

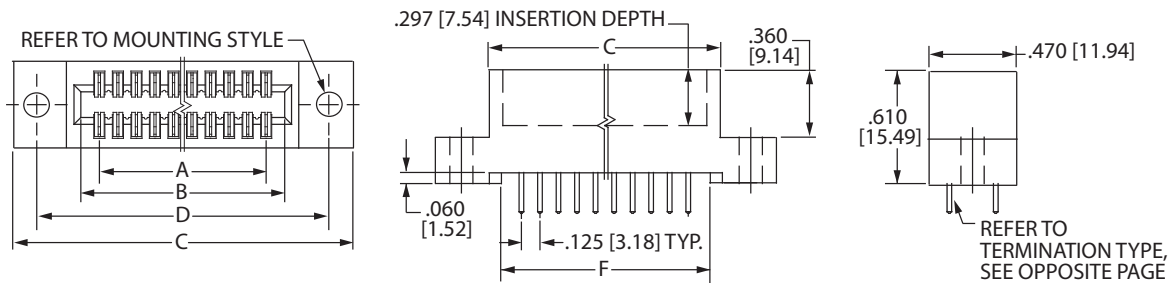
READOUT (Opposite Page)

D = Dual
 H = Half Loaded

NUMBER OF CONTACT POSITIONS

See Chart Below

DIMENSIONS Dimensions in [] are in millimeters, all others are in inches.



Tolerances on non-critical dimensions may vary slightly due to shrinkage differential per insulator material; Consult factory.

POSITIONS/ CONTACTS	INCHES						MILLIMETERS					
	A±.008	B±.008	C±.015	D±.010	E±.020	F±.015	A±0.20	B±0.20	C±0.38	D±0.25	E±0.51	F±0.38
06/12*	0.625	0.875	1.035	1.295	1.555	0.915	15.88	22.23	26.29	32.89	39.50	23.24
08/16*	0.875	1.125	1.285	1.545	1.805	1.165	22.23	28.58	32.64	39.24	45.85	29.59
10/20*	1.125	1.375	1.535	1.795	2.055	1.415	28.58	34.93	38.99	45.59	52.20	35.94
14/28*	1.625	1.875	2.035	2.295	2.555	1.915	41.28	47.63	51.69	58.29	64.90	48.64
15/30*	1.750	2.000	2.160	2.420	2.680	2.040	44.45	50.80	54.86	61.47	68.07	51.82
18/36*	2.125	2.375	2.535	2.795	3.055	2.415	53.98	60.33	64.39	70.99	77.60	61.34
22/44*	2.625	2.875	3.035	3.295	3.555	2.915	66.68	73.03	77.09	83.69	90.30	74.04
24/48*	2.875	3.125	3.285	3.545	3.805	3.165	73.03	79.38	83.44	90.04	96.65	80.39
25/50	3.000	3.250	3.410	3.670	3.930	3.290	76.20	82.55	86.61	93.22	99.82	83.57
28/56*	3.375	3.625	3.785	4.045	4.305	3.665	85.73	92.08	96.14	102.74	109.35	93.09
30/60	3.625	3.875	4.035	4.295	4.555	3.915	92.08	98.43	102.49	109.09	115.70	99.44
31/62*	3.750	4.000	4.160	4.420	4.680	4.040	95.25	101.60	105.66	112.27	118.87	102.62
32/64	3.875	4.125	4.285	4.545	4.805	4.165	98.43	104.78	108.84	115.44	122.05	105.79
35/70*	4.250	4.500	4.660	4.920	5.180	4.540	107.95	114.30	118.36	124.97	131.57	115.32
36/72	4.375	4.625	4.785	5.045	5.305	4.665	111.13	117.48	121.54	128.14	134.75	118.49
40/80*	4.875	5.125	5.285	5.545	5.805	5.165	123.83	130.18	134.24	140.84	147.45	131.19
43/86*	5.250	5.500	5.660	5.920	6.180	5.540	133.35	139.70	143.76	150.37	156.97	140.72
44/88*	5.375	5.625	5.785	6.045	6.305	5.665	136.53	142.88	146.94	153.54	160.15	143.89
49/98*	6.000	6.250	6.410	6.670	6.930	6.290	152.40	158.75	162.81	169.42	176.02	159.77
50/100	6.125	6.375	6.535	6.795	7.055	6.415	155.58	161.93	165.99	172.59	179.20	162.94

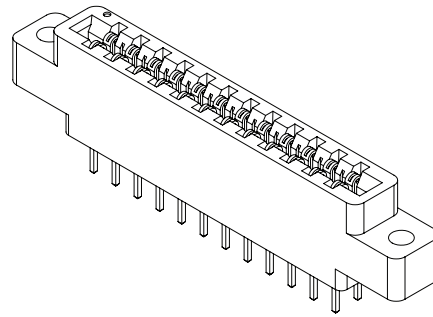
* Consult factory for availability.

Female Card Edge

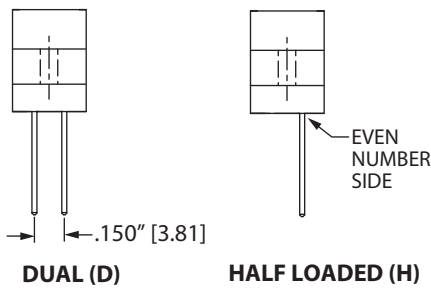
**.150" [3.81 mm] Contact Centers, .550" [13.97 mm] Insulator Height,
Dip Solder/Wire Wrap**

SPECIFICATIONS

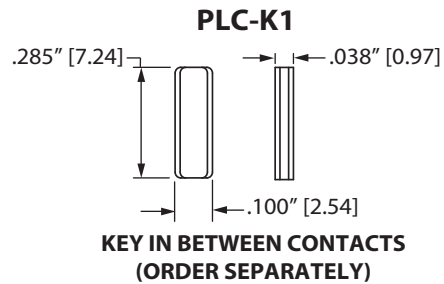
- Accommodates .062" ± .008" [1.57 mm ± 0.20 mm] PC board
- PBT, PPS or PA9T insulator
- Molded-in key available
- 3 Amps current rating for one contact energized
- 30 milli Ohms maximum at rated current
- UL Flammability Rating: 94V-0



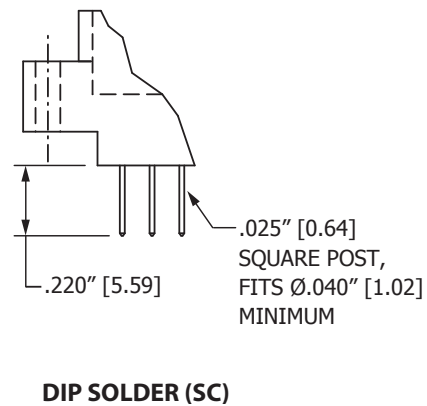
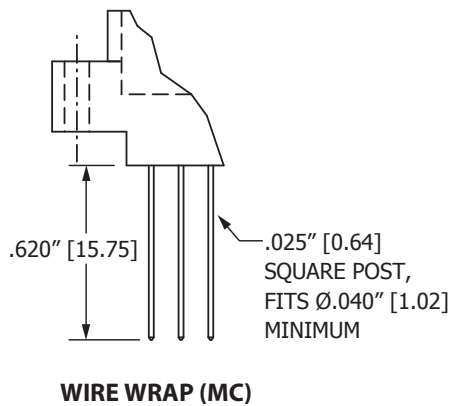
READOUT



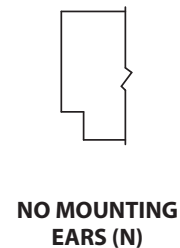
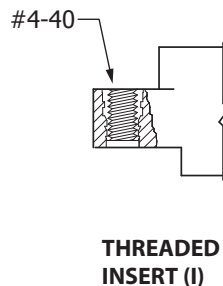
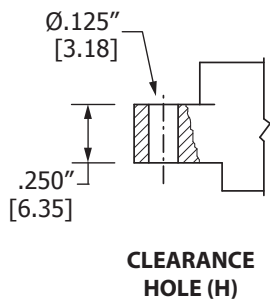
POLARIZING KEY



TERMINATION TYPE



MOUNTING STYLE



.150" [3.81 mm] Contact Centers, .550" [13.97 mm] Insulator Height, Dip Solder/Wire Wrap

PART NUMBER OPTIONS

E B J 26 D MC H - Sxxx

MATERIALS (INSULATOR/CONTACT)
 E = PBT/Phosphor Bronze (Standard)
 R = PPS/Phosphor Bronze
 G = PA9T/Phosphor Bronze
 (Consult factory for other materials.)
 Refer to Page 7 for Operating/Processing Temperatures

CONTACT FINISH - RoHS Compliant
 All platings are Lead Free and have .000050" Nickel underplate

Contact Surface	Termination
B = .000010" Gold	.000100" Pure Tin, Matte
C = .000030" Gold	.000100" Pure Tin, Matte

CONTACT CENTERS
 J = .150" [3.81 mm]

NUMBER OF CONTACT POSITIONS
 See Chart Below

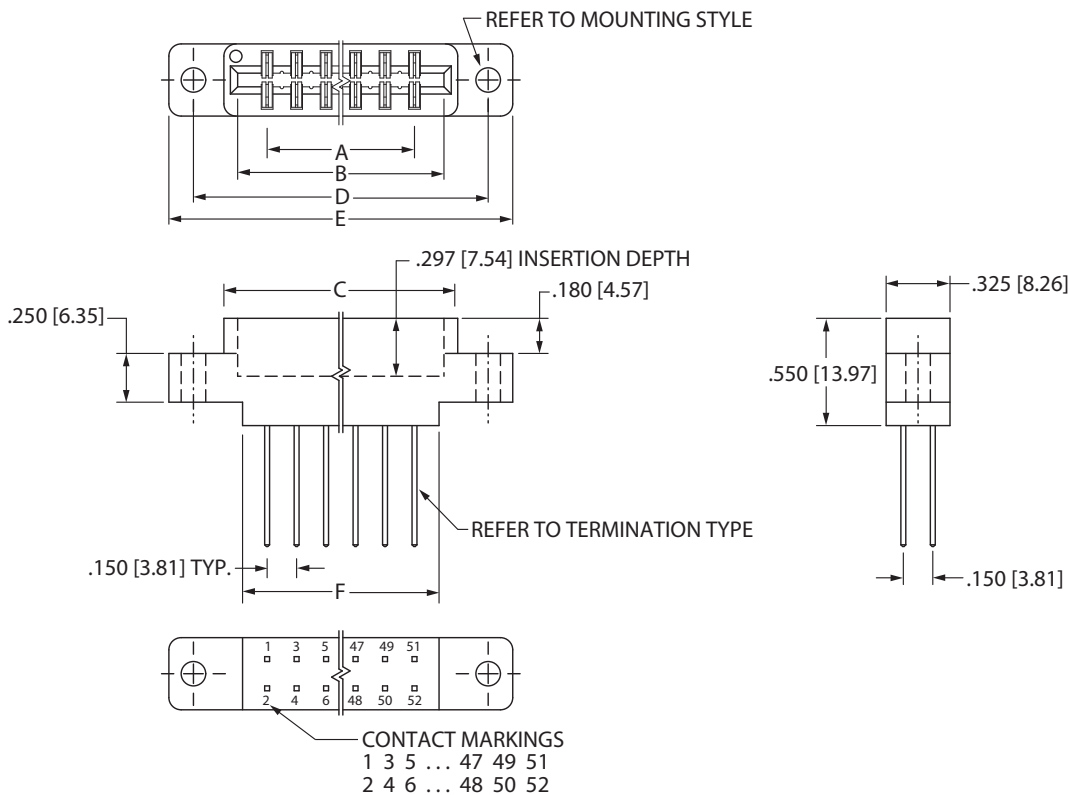
MODIFICATION CODE (Consult Factory)
 OMIT FOR STANDARD

MOUNTING STYLE (Opposite Page)
 H = Clearance Holes
 I = Threaded Inserts
 N = No Mounting

TERMINATION TYPE (Opposite Page)
Hairpin Bellows
 MC = .025" [0.64 mm] Square Wire Wrap
 SC = .025" [0.64 mm] Square Dip Solder

READOUT (Opposite Page)
 D = Dual
 H = Half Loaded

DIMENSIONS Dimensions in [] are in millimeters, all others are in inches.



Tolerances on non-critical dimensions may vary slightly due to shrinkage differential per insulator material; Consult factory.

POSITIONS/ CONTACTS	INCHES						MILLIMETERS					
	A±.008	B±.008	C±.015	D±.010	E±.020	F±.015	A±0.20	B±0.20	C±0.38	D±0.25	E±0.51	F±0.38
12/24	1.650	1.950	2.090	2.400	2.650	1.900	41.91	49.53	53.09	60.96	67.31	48.26
18/36*	2.550	2.850	2.990	3.300	3.550	2.800	64.77	72.39	75.95	83.82	90.17	71.12
22/44*	3.150	3.450	3.590	3.900	4.150	3.400	80.01	87.63	91.19	99.06	105.41	86.36
26/52	3.750	4.050	4.190	4.500	4.750	4.000	95.25	102.87	106.43	114.30	120.65	101.60
28/56*	4.050	4.350	4.490	4.800	5.050	4.300	102.87	110.49	114.05	121.92	128.27	109.22

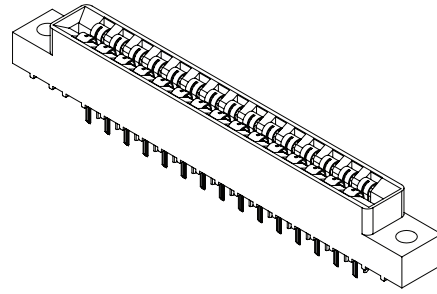
* Consult factory for availability.

Female Card Edge

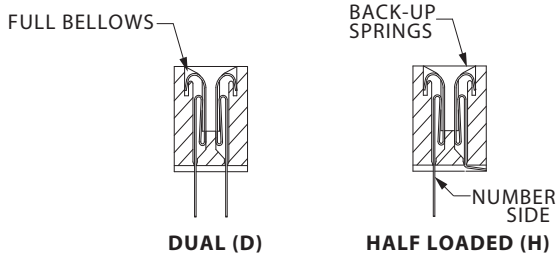
.156" [3.96 mm] Contact Centers, .431" [10.95 mm] Insulator Height, Dip Solder/Eyelet/Right Angle

SPECIFICATIONS

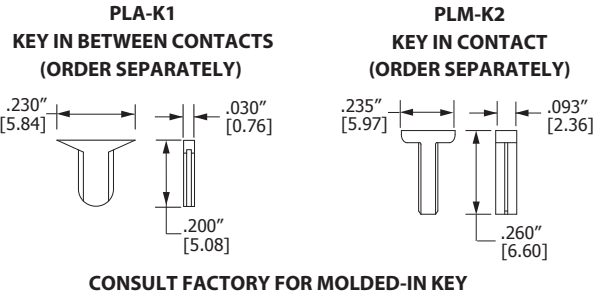
- Accommodates .062" ± .008" [1.57 mm ± 0.20 mm] PC board
- Molded-in key available
- 3 Amps current rating for one contact energized (for 5 Amps application, consult factory)
- 30 milli Ohms maximum at rated current
- UL Flammability Rating: 94V-0



READOUT



POLARIZING KEY

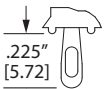


TERMINATION TYPE

EYELET ACCEPTS
3-#22 AWG



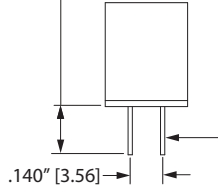
ALTERNATE EYELET SHAPE
* (RE) .014" [0.36] THICK



(SE) .007" [0.18] THICK
(RE) .014" [0.36] THICK

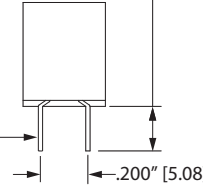
EYELET
(SE OR RE)

.137" [3.48] (RT)
.225" [5.71] (RK)
.425" [10.80] (RY)

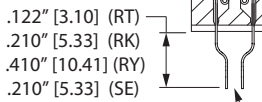


WIDE DIP SOLDER
(RF, RX, RU, RP)

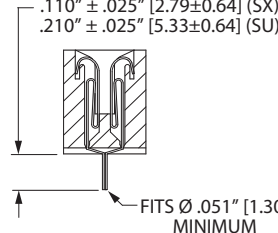
.137" [3.48] (RX)
.200" [5.08] (RF)
.225" [5.71] (RU)
.408" [10.40] (RP)



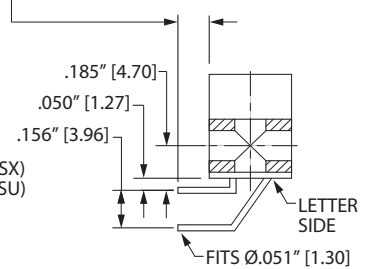
CARD EXTENDER
(RT, RK, RY, SE TERMINATIONS ONLY)
REQUIRES -S13 MODIFICATION CODE



CENTERED DIP SOLDER
(SX, SU)
AVAILABLE WITH DUAL OR HALF LOADED READOUT TYPE

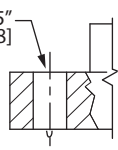


(RA) .125" [3.18] FOR ALL POSITIONS
(SA) .270" [6.85] 02 THRU 25 POSITIONS
(SA) .230" [5.84] 28 THRU 36 POSITIONS
(SA) .190" [4.82] 43 POSITIONS
TOLERANCE: (RA) ± .025" [0.64]
(SA) ± .040" [1.00]



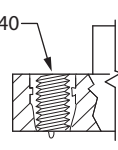
MOUNTING STYLE

Ø.125" [3.18]



CLEARANCE HOLE
(H)

#4-40



THREADED INSERT
(I)

Ø.116" [2.95],
CLEARANCE FOR #4 SCREW

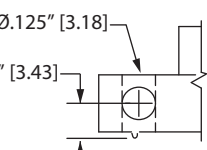


FLOATING BOBBIN
(F)



NO MOUNTING EARS
(N)

Ø.125" [3.18]



SIDE MOUNTING
(S)

* Beryllium Copper & Beryllium Nickel (H, A, J, F, C & W Material Codes) Only.

.156" [3.96 mm] Contact Centers, .431" [10.95 mm] Insulator Height, Dip Solder/Eyelet/Right Angle

PART NUMBER OPTIONS

MATERIALS (INSULATOR/CONTACT)

- E = PBT/Phosphor Bronze (Standard)
- R = PPS/Phosphor Bronze
- G = PA9T/Phosphor Bronze
- H = PBT/Beryllium Copper
- A = PPS/Beryllium Copper
- J = PA9T/Beryllium Copper
- *F = PPS/Spinodal (Overall Gold Plating Only)
Consult Factory for Special Soldering Guidelines
- *C = PPS/Beryllium Nickel (Overall Gold Plating Only)
- *W = PEEK/Beryllium Nickel (Overall Gold Plating Only)
- *Consult factory for availability.
- Refer to Page 7 for Operating/Processing Temperatures

CONTACT FINISH - RoHS Compliant

All platings are Lead Free and have .000050" Nickel underplate

Contact Surface	Termination
B = .000010" Gold	.000100" Pure Tin, Matte
C = .000030" Gold	.000100" Pure Tin, Matte
G = .000010" Gold	.000005" Gold
Y = .000030" Gold	.000005" Gold
Contact Surface	Overall Plating
S = .000010" Gold	.000010" Gold
M = .000030" Gold	.000010" Gold
E = .000100" Pure Tin, Matte	.000100" Pure Tin, Matte

CONTACT CENTERS

M = .156" [3.96 mm]

NUMBER OF CONTACT POSITIONS

See Chart Below

E B M 43 D RK H - Sxxx

MODIFICATION CODE (Consult Factory)
OMIT FOR STANDARD

-S13 = Card Extender Accepts .062" [1.57 mm] PCB
(RT, RK, RY, SE Terminations Only)

MOUNTING STYLE (Opposite Page)

- H = .125" [3.18 mm] Clearance Holes
- N = No Mounting
- S = Side Mounting
- I = Threaded Insert
- F = Floating Bobbin

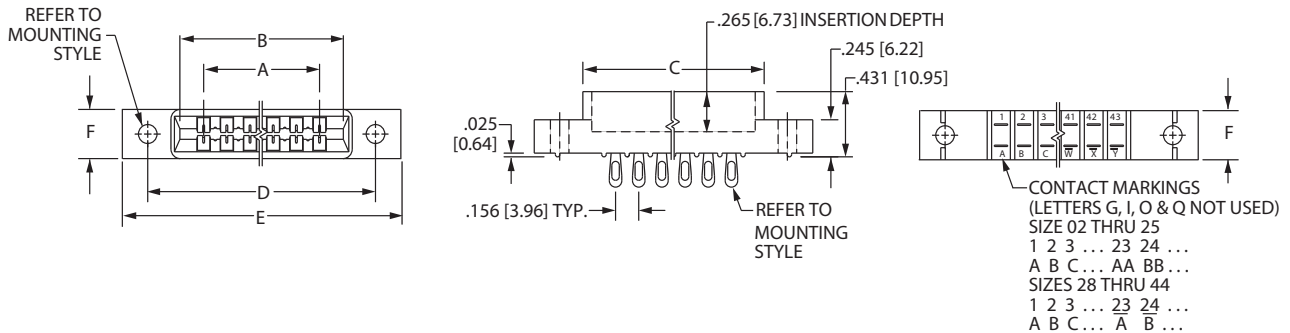
TERMINATION TYPE (Opposite Page)

- RA = .125" [3.18 mm] Right Angle Dip Solder
- SA = Long Right Angle Dip Solder
- RT = .140" X .137" [3.56 mm X 3.48 mm] Dip Solder
- RK = .140" X .225" [3.56 mm X 5.72 mm] Dip Solder
- RY = .140" X .425" [3.56 mm X 10.80 mm] Dip Solder
- RX = .200" X .137" [5.08 mm X 3.48 mm] Dip Solder
- RF = .200" X .200" [5.08 mm X 5.08 mm] Dip Solder
- RU = .200" X .225" [5.08 mm X 5.72 mm] Dip Solder
- RP = .200" X .408" [5.08 mm X 10.36 mm] Dip Solder
- SX = .110" [2.79 mm] Centered Dip Solder
- SU = .210" [5.33 mm] Centered Dip Solder
- SE = .007" [0.18 mm] Thick Eyelet
- RE = .014" [0.36 mm] Thick Eyelet

READOUT (Opposite Page)

- D = Dual
- D = Dual Row/ Crimp to Center for
Single Readout (SX, SU Termination Only)
- H = Half Loaded

DIMENSIONS Dimensions in [] are in millimeters, all others are in inches.



Tolerances on non-critical dimensions may vary slightly due to shrinkage differential per insulator material; Consult factory.

POSITIONS/ CONTACTS	INCHES						MILLIMETERS					
	A±.008	B±.008	C±.015	D±.010	E MAX	F+-.005/-015	A±0.20	B±0.20	C±0.38	D±0.25	E MAX	F+0.13/-0.38
02/04	0.156	0.476	0.596	'N' MOUNTING			3.96	12.09	15.14	'N' MOUNTING		
03/06	0.312	0.632	0.752				7.92	16.05	19.10			
04/08*	0.468	0.788	0.908				11.89	20.02	23.06			
06/12	0.780	1.100	1.220	1.533	1.902	0.325	19.81	27.94	30.99	38.94	48.31	8.26
07/14	0.936	1.256	1.376	1.689	2.058		23.77	31.90	34.95	42.90	52.27	
08/16	1.092	1.412	1.532	1.845	2.214		27.74	35.86	38.91	46.86	56.24	
10/20	1.404	1.724	1.844	2.157	2.526		35.66	43.79	46.84	54.79	64.16	
11/22	1.560	1.880	2.000	2.313	2.682		39.62	47.75	50.80	58.75	68.12	
12/24	1.716	2.036	2.156	2.469	2.838		43.59	51.71	54.76	62.71	72.09	
15/30	2.184	2.504	2.624	2.937	3.306		55.47	63.60	66.65	74.60	83.97	
18/36	2.652	2.972	3.092	3.405	3.774		67.36	75.49	78.54	86.49	95.86	
22/44	3.276	3.596	3.716	4.029	4.398		83.21	91.34	94.39	102.34	111.71	
24/48	3.588	3.908	4.028	4.341	4.710		91.14	99.26	102.31	110.26	119.63	
25/50	3.744	4.064	4.184	4.497	4.866	95.10	103.23	106.27	114.22	123.60		
28/56	4.212	4.532	4.652	4.965	5.334	0.438	106.98	115.11	118.16	126.11	135.48	11.13
36/72	5.460	5.780	5.900	6.213	6.582		138.68	146.81	149.86	157.81	167.18	
43/86	6.552	6.872	6.992	7.305	7.674	0.500	166.42	174.55	177.60	185.55	194.92	12.70
44/88	6.708	7.028	7.148	7.461	7.830		170.38	178.51	181.56	189.51	198.88	

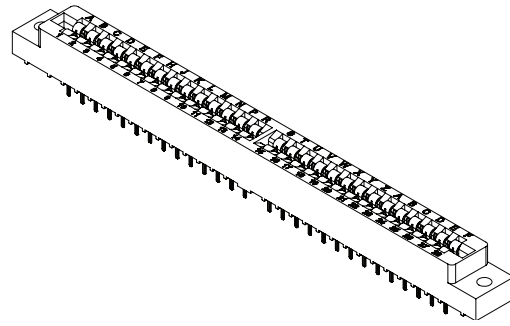
* Consult factory for availability.

Female Card Edge

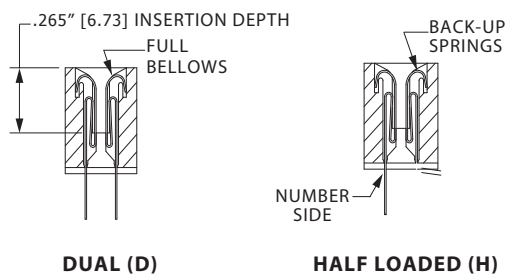
.156" [3.96 mm] Contact Centers, .431" [10.95 mm] Insulator Height, Special Body Configuration Dip Solder/Eyelet/Right Angle

SPECIFICATIONS

- Accommodates $.062" \pm .008"$ [1.57 mm \pm 0.20 mm] PC board
- Molded-in key available
- 3 Amps current rating for one contact energized (for 5 Amps application, consult factory)
- 30 milli Ohms maximum at rated current
- UL Flammability Rating: 94V-0

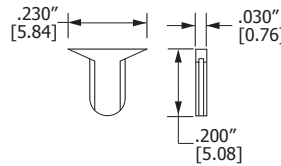


READOUT

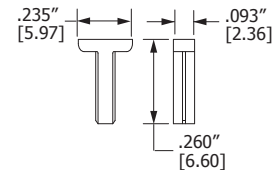


POLARIZING KEY

PLA-K1
KEY IN BETWEEN CONTACTS
(ORDER SEPARATELY)



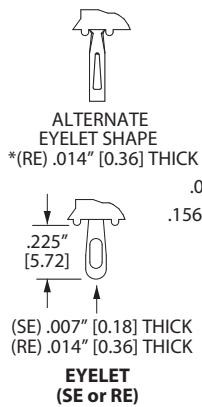
PLM-K2
KEY IN CONTACT
(ORDER SEPARATELY)



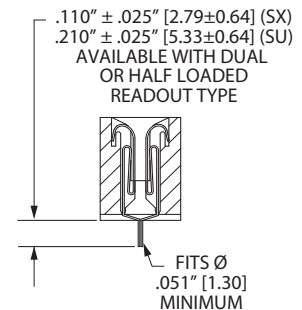
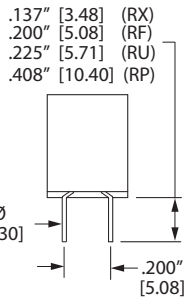
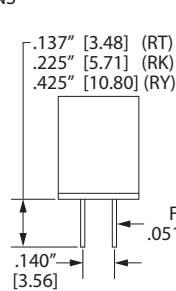
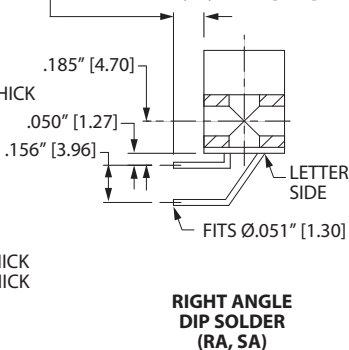
CONSULT FACTORY FOR MOLDED-IN KEY

TERMINATION TYPE

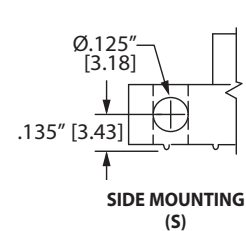
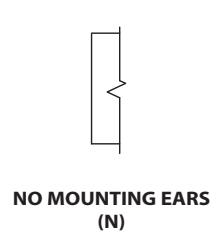
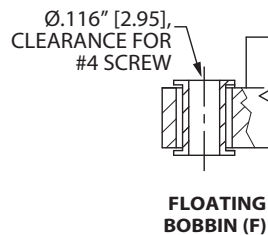
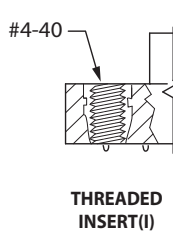
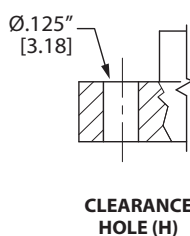
EYELET ACCEPTS
3-#22 AWG



FOR ALL POSITIONS
(SA) .270" [6.85] 02 THRU 25 POSITIONS
(SA) .230" [5.84] 28 THRU 36 POSITIONS
(SA) .190" [4.82] 43 POSITIONS
TOLERANCE: (RA) \pm .025" [0.64]
(SA) \pm .040" [1.00]



MOUNTING STYLE



* Beryllium Copper & Beryllium Nickel (H, A, J, F, C & W Material Codes) Only.

.156" [3.96 mm] Contact Centers, .431" [10.95 mm] Insulator Height, Special Body Configuration Dip Solder/Eyelet/Right Angle

PART NUMBER OPTIONS

MATERIALS (INSULATOR/CONTACT)

- E = PBT/Phosphor Bronze (Standard)
 - R = PPS/Phosphor Bronze
 - G = PA9T/Phosphor Bronze
 - H = PBT/Beryllium Copper
 - A = PPS/Beryllium Copper
 - J = PA9T/Beryllium Copper
 - *F = PPS/Spinodal (Overall Gold Plating Only)
Consult Factory for Special Soldering Guidelines
 - *C = PPS/Beryllium Nickel (Overall Gold Plating Only)
 - *W = PEEK/Beryllium Nickel (Overall Gold Plating Only)
 - *Consult factory for availability.
- Refer to Page 7 for Operating/Processing Temperatures

CONTACT FINISH - RoHS Compliant

All platings are Lead Free and have .000050" Nickel underplate

Contact Surface	Termination
B = .000010" Gold	.000100" Pure Tin, Matte
C = .000030" Gold	.000100" Pure Tin, Matte
G = .000010" Gold	.000005" Gold
Y = .000030" Gold	.000005" Gold
Contact Surface	Overall Plating
S = .000010" Gold	.000010" Gold
M = .000030" Gold	.000010" Gold
E = .000100" Pure Tin, Matte	.000100" Pure Tin, Matte

CONTACT CENTERS

- M = .156" [3.96 mm]

NUMBER OF CONTACT POSITIONS

- 28 (14/14), 36 or 43

E B M 43 D RT H - S37

MODIFICATION CODE (Consult Factory)

- S37 = Reverse Contact ID & Shorter Card Slot Length
- S92 = Center Barrier Molded in Card Slot

MOUNTING STYLE (Opposite Page)

- H = .125" [3.18 mm] Clearance Holes
- N = No Mounting
- S = Side Mounting
- I = Threaded Inserts
- F = Floating Bobbin

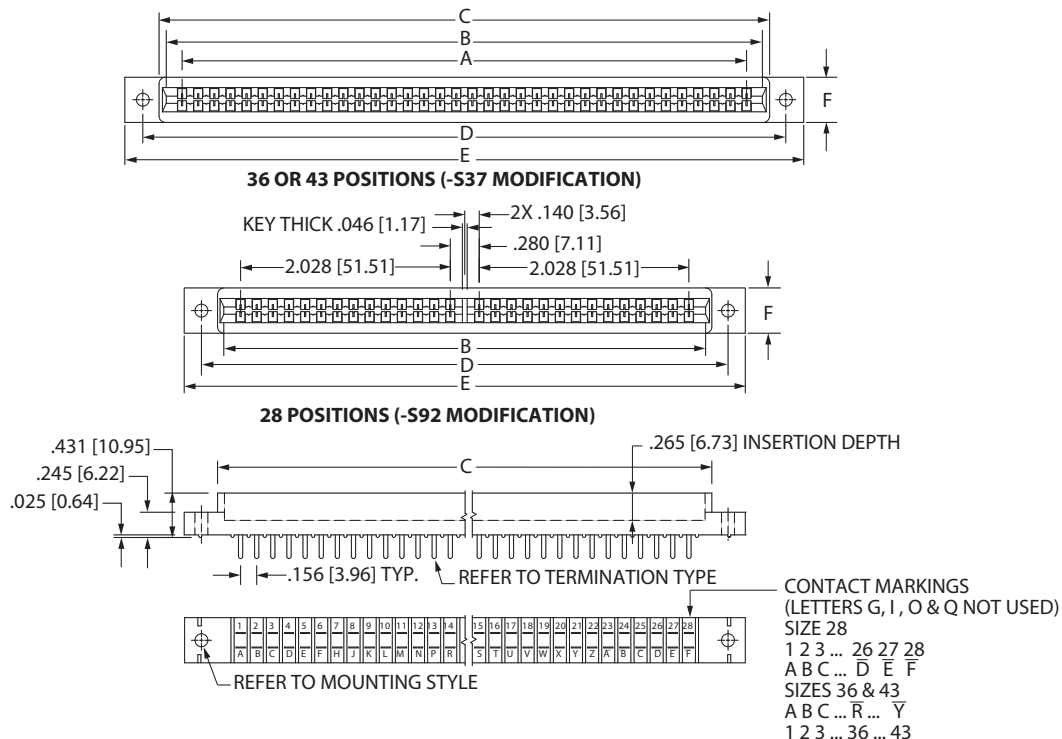
TERMINATION TYPE (Opposite Page)

- RA = .125" [3.18 mm] Right Angle Dip Solder
- SA = Long Right Angle Dip Solder
- RT = .140" X .137" [3.56 mm X 3.48 mm] Dip Solder
- RK = .140" X .225" [3.56 mm X 5.72 mm] Dip Solder
- RY = .140" X .425" [3.56 mm X 10.80 mm] Dip Solder
- RX = .200" X .137" [5.08 mm X 3.48 mm] Dip Solder
- RF = .200" X .200" [5.08 mm X 5.08 mm] Dip Solder
- RU = .200" X .225" [5.08 mm X 5.72 mm] Dip Solder
- RP = .200" X .408" [5.08 mm X 10.36 mm] Dip Solder
- SX = .110" [2.79 mm] Centered Dip Solder
- SU = .210" [5.33 mm] Centered Dip Solder
- SE = .007" [0.18 mm] Thick Eyelet
- RE = .014" [0.36 mm] Thick Eyelet

READOUT (Opposite Page)

- D = Dual
- D = Dual Row/ Crimp to Center
for Single Readout (SX, SU Termination Only)
- H = Half Loaded

DIMENSIONS Dimensions in [] are in millimeters, all others are in inches.



Tolerances on non-critical dimensions may vary slightly due to shrinkage differential per insulator material; Consult factory.

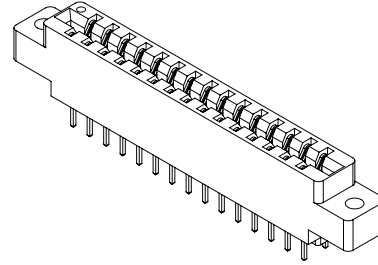
POSITIONS/ CONTACTS	INCHES						MILLIMETERS						CENTER BARRIER
	A±.008	B±.008	C±.015	D±.010	E MAX	F+-.005/ -.015	A±0.20	B±0.20	C±0.38	D±0.25	E MAX	F+0.13/ -0.38	
28/56		4.660	4.780	5.093	5.427	0.438		118.36	121.41	129.36	137.85	11.13	YES
36/72	5.460	5.766	5.906	6.219	6.566	0.438	138.68	146.46	150.01	157.96	166.78	11.13	NO
43/86	6.552	6.810	7.000	7.302	7.643	0.500	166.42	172.97	177.80	185.47	194.13	12.70	NO

Female Card Edge

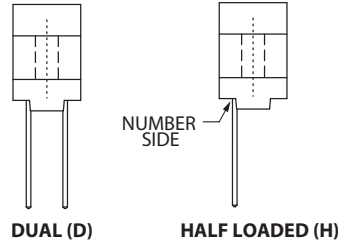
.156" [3.96 mm] Contact Centers, .610" [15.49 mm] Insulator Height, Dip Solder/Wire Wrap/Right Angle/Card Extender

SPECIFICATIONS

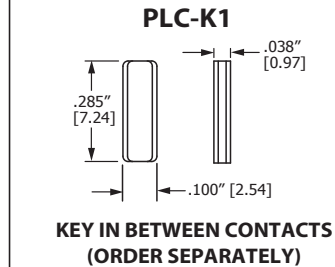
- Accommodates $.062" \pm .008"$ [1.57 mm \pm 0.20 mm] PC board
(See following pages for $.093" \pm .008"$ [2.36 mm \pm 0.20 mm] and $.125" \pm .008"$ [3.18 mm \pm 0.20 mm] mating PCB)
- PBT, PPS or PA9T insulator
- Molded-in key available
- 3 Amps current rating for one contact energized
- 30 milli Ohms maximum at rated current
- UL Flammability Rating: 94V-0



READOUT



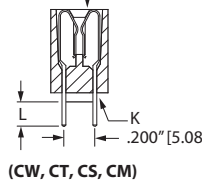
POLARIZING KEY



TERMINATION TYPE

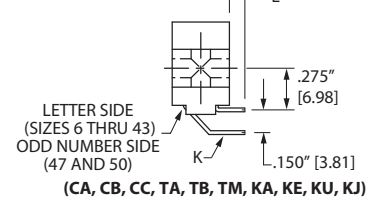
HAIRPIN BELLOWS	TERMINATION TYPE	POST CROSS SECTION K	POST LENGTH L .025" [0.64]	FITS MIN. HOLE SIZE
CW	DIP SOLDER	.015" X .025" [0.38 X 0.64]	.125" [3.18]	.035" [0.89]
CT	DIP SOLDER	.015" X .025" [0.38 X 0.64]	.170" [4.32]	.035" [0.89]
CS	DIP SOLDER	.025" [0.64] SQUARE	.160" [4.06]	.040" [1.02]
CM	WIRE WRAP	.025" [0.64] SQUARE	.560" [14.20]	.040" [1.02]
CA	RIGHT ANGLE	.025" [0.64] SQUARE	.100" [2.54]	.043" [1.09]
CB	RIGHT ANGLE	.025" [0.64] SQUARE	.180" [4.57]	.043" [1.09]
CC	RIGHT ANGLE	.025" [0.64] SQUARE	.250" [6.35]	.043" [1.09]

HAIRPIN BELLOWS



(CW, CT, CS, CM)

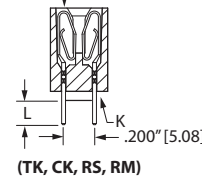
RIGHT ANGLE



(CA, CB, CC, TA, TB, TM, KA, KE, KU, KJ)

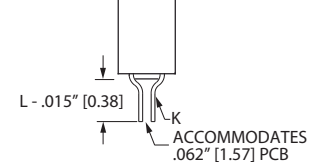
LOOP BELLOWS	TERMINATION TYPE	POST CROSS SECTION K	POST LENGTH L .025" [0.64]	FITS MIN. HOLE SIZE
TK,CK	DIP SOLDER	.025" [0.64] ROUND	.190" [4.83]	.033" [0.84]
RS	DIP SOLDER	.025" [0.64] SQUARE	.190" [4.83]	.040" [1.02]
RM	WIRE WRAP	.025" [0.64] SQUARE	.560" [14.20]	.040" [1.02]
TA	RIGHT ANGLE	.025" [0.64] SQUARE	.100" [2.54]	.043" [1.09]
TB	RIGHT ANGLE	.025" [0.64] SQUARE	.180" [4.57]	.043" [1.09]
TM	RIGHT ANGLE	.025" [0.64] SQUARE	.250" [6.35]	.043" [1.09]

LOOP BELLOWS



(TK, CK, RS, RM)

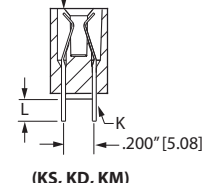
HAIRPIN or LOOP CARD EXTENDER



(CT, CS, CM, TK, CK, RS, RM)
Example P/N: EBM10DCSN-S288
(Requires -S288 Modification Code)

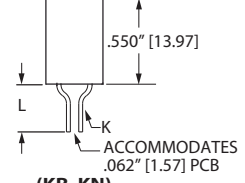
CANTILEVER	TERMINATION TYPE	POST CROSS SECTION K	POST LENGTH L .025" [0.64]	FITS MIN. HOLE SIZE
KS	DIP SOLDER	.025" [0.64] SQUARE	.190" [4.83]	.040" [1.02]
KD	DIP SOLDER	.025" [0.64] SQUARE	.160" [4.06]	.043" [1.09]
KM	WIRE WRAP	.025" [0.64] SQUARE	.560" [14.20]	.040" [1.02]
*KA	RIGHT ANGLE	.025" [0.64] SQUARE	.100" [2.54]	.043" [1.09]
*KE	RIGHT ANGLE	.025" [0.64] SQUARE	.180" [4.57]	.043" [1.09]
*KU	RIGHT ANGLE	.025" [0.64] SQUARE	.250" [6.35]	.043" [1.09]
*KJ	RIGHT ANGLE	.025" [0.64] SQUARE	.500" [12.70]	.043" [1.09]
*KR	CARD EXTENDER	.025" [0.64] SQUARE	.235" [5.97]	N/A
*KN	CARD EXTENDER	.025" [0.64] SQUARE	.605" [15.37]	N/A

CANTILEVER



(KS, KD, KM)

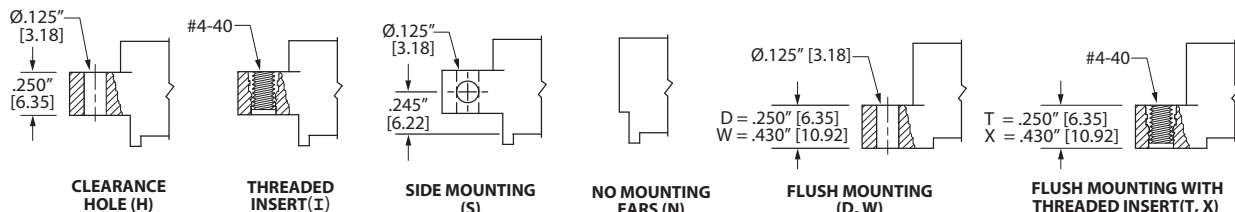
CANTILEVER CARD EXTENDER



(KR, KN)
Example P/N: EBM10DKRN
(-S288 Not required)

* KA, KE, KJ, KR, KN have no standoffs, unless requested.

MOUNTING STYLE



.156" [3.96 mm] Contact Centers, .610" [15.49 mm] Insulator Height, Dip Solder/Wire Wrap/Right Angle/Card Extender

PART NUMBER OPTIONS

MATERIALS (INSULATOR/CONTACT)

- E = PBT/Phosphor Bronze (Standard)
 - R = PPS/Phosphor Bronze
 - G = PA9T/Phosphor Bronze
 - H = PBT/ Beryllium Copper
 - A = PPS/Beryllium Copper
 - J = PA9T/Beryllium Copper
- (Consult factory for other materials.)
Refer to Page 7 for Operating/Processing Temperatures

CONTACT FINISH - RoHS Compliant

All platings are Lead Free and have .000050" Nickel underplate

Contact Surface	Termination
B = .000010" Gold	.000100" Pure Tin, Matte
C = .000030" Gold	.000100" Pure Tin, Matte
G = .000010" Gold	.000005" Gold
Y = .000030" Gold	.000005" Gold
Contact Surface	Overall Plating
S = .000010" Gold	.000010" Gold
M = .000030" Gold	.000010" Gold
E = .000100" Pure Tin, Matte	.000100" Pure Tin, Matte

CONTACT CENTERS

M = .156" [3.96 mm]

NUMBER OF CONTACT POSITIONS

See Chart Below

READOUT (Opposite Page)

D = Dual
H = Half Loaded

E B M 43 D CM H - Sxxx

MODIFICATION CODE (Consult Factory)

OMIT FOR STANDARD

- S189 = .200" [5.08 mm] Row Spacing on Right Angle
 - S288* = Card Extender Accepts .062" [1.57 mm] PCB
- * Not Required on KR or KN Terminations

MOUNTING STYLE (Opposite Page)

- H = Clearance Holes
- I = Threaded Inserts
- S = Side Mounting
- N = No Mounting
- D, W = Flush Mounting
- T, X = Flush Mounting With Threaded Inserts

TERMINATION TYPE (Opposite Page)

Hairpin Bellows -

Available with B or C plating and Phosphor Bronze Only

- CS = .025" [0.64 mm] Square Dip Solder
- CM = .025" [0.64 mm] Square Wire Wrap
- CA, CB, CC = .025" [0.64 mm] Square Right Angle
- CW, CT = .015" X .025" [0.38 mm X 0.64 mm] Dip Solder

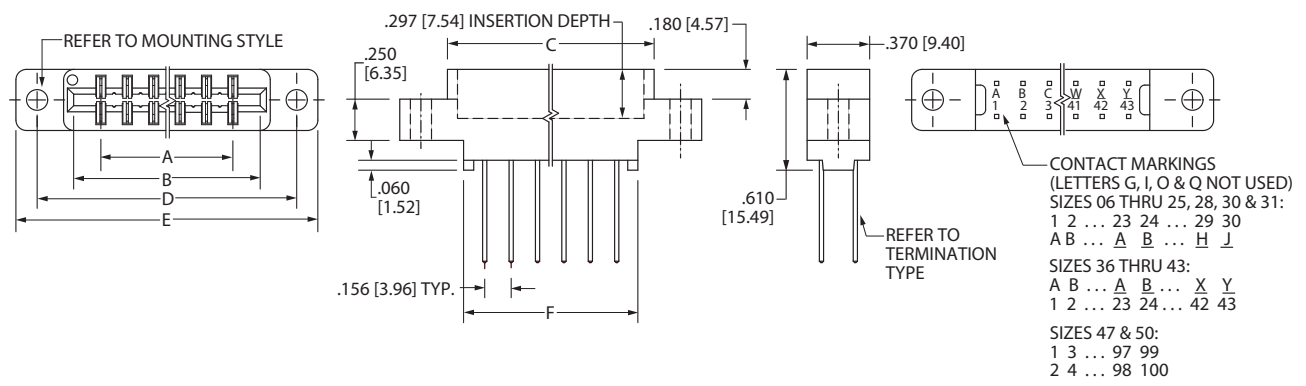
Loop Bellows

- RS = .025" [0.64 mm] Square Dip Solder
- CK, TK = .025" [0.64 mm] Round Dip Solder
- RM = .025" [0.64 mm] Square Wire Wrap
- TA, TB, TM = .025" [0.64 mm] Square Right Angle

Cantilever Bellows - Available in Y, B, or C Contact Finish Only

- KS, KD = .025" [0.64 mm] Square Dip Solder
- KM = .025" [0.64 mm] Square Wire Wrap
- KA, KE, KU, KJ = .025" [0.64 mm] Square Right Angle
- KR, KN = .025" [0.64 mm] Square Card Extender

DIMENSIONS Dimensions in [] are in millimeters, all others are in inches.



Tolerances on non-critical dimensions may vary slightly due to shrinkage differential per insulator material; Consult factory.

POSITIONS/ CONTACTS	INCHES						MILLIMETERS					
	A±.008	B±.008	C±.015	D±.010	E±.020	F±.015	A±0.20	B±0.20	C±0.38	D±0.25	E±0.51	F±0.38
06/12	0.780	1.102	1.221	1.534	1.784	1.030	19.81	27.99	31.01	38.96	45.31	26.16
08/16	1.092	1.414	1.533	1.846	2.096	1.342	27.74	35.92	38.94	46.89	53.24	34.09
10/20	1.404	1.726	1.845	2.158	2.408	1.654	35.66	43.84	46.86	54.81	61.16	42.01
12/24	1.716	2.038	2.157	2.470	2.720	1.966	43.59	51.77	54.79	62.74	69.09	49.94
15/30	2.184	2.506	2.625	2.938	3.188	2.434	55.47	63.65	66.68	74.63	80.98	61.82
18/36	2.652	2.974	3.093	3.406	3.656	2.902	67.36	75.54	78.56	86.51	92.86	73.71
20/40*	2.964	3.286	3.405	3.718	3.968	3.214	75.29	83.46	86.49	94.44	100.79	81.64
22/44	3.276	3.598	3.717	4.030	4.280	3.526	83.21	91.39	94.41	102.36	108.71	89.56
24/48	3.588	3.910	4.029	4.342	4.592	3.838	91.14	99.31	102.34	110.29	116.64	97.49
25/50	3.744	4.066	4.185	4.498	4.748	3.994	95.10	103.28	106.30	114.25	120.60	101.45
28/56	4.212	4.534	4.653	4.966	5.216	4.462	106.98	115.16	118.19	126.14	132.49	113.33
30/60	4.524	4.846	4.965	5.278	5.528	4.774	114.91	123.09	126.11	134.06	140.41	121.26
31/62	4.680	5.002	5.121	5.434	5.684	4.930	118.87	127.05	130.07	138.02	144.37	125.22
36/72	5.460	5.782	5.901	6.214	6.464	5.710	138.68	146.86	149.89	157.84	164.19	145.03
40/80	6.084	6.406	6.525	6.838	7.088	6.334	154.53	162.71	165.74	173.69	180.04	160.88
43/86	6.552	6.874	6.993	7.306	7.556	6.802	166.42	174.60	177.62	185.57	191.92	172.77
47/94	7.176	7.498	7.617	7.930	8.180	7.426	182.27	190.45	193.47	201.42	207.77	188.62
50/100	7.644	7.966	8.085	8.398	8.648	7.894	194.16	202.34	205.36	213.31	219.66	200.51

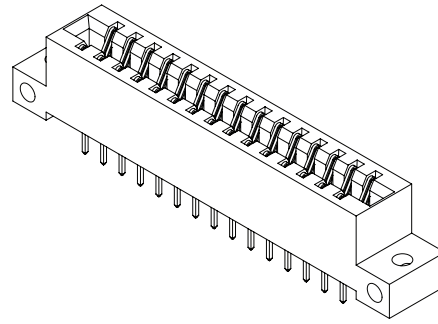
* Consult factory for availability.

Female Card Edge

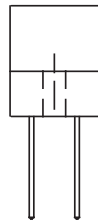
**.156" [3.96 mm] Contact Centers, .610" [15.49 mm] Insulator Height,
Dip Solder/Wire Wrap/Right Angle for .093" [2.36 mm] or .125" [3.18 mm] Mating PCB**

SPECIFICATIONS

- Accommodates .093" ± .008" [2.36 mm ± 0.20 mm] or .125" ± .008" [3.18 mm ± 0.20 mm] mating PCB (Consult factory for .031" ± .006" [0.79 mm ± 0.15 mm] PC boards)
- PBT, PPS or PA9T insulator
- Molded-in key available
- 3 Amps current rating for one contact energized
- 30 milli Ohms maximum at rated current
- UL Flammability Rating: 94V-0

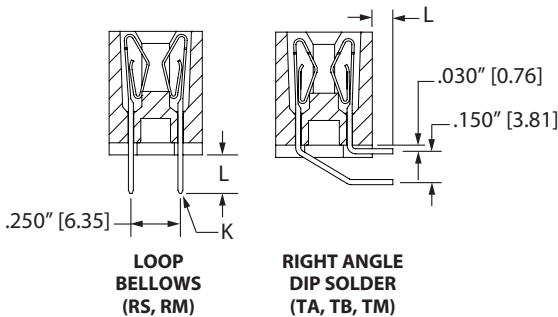


READOUT



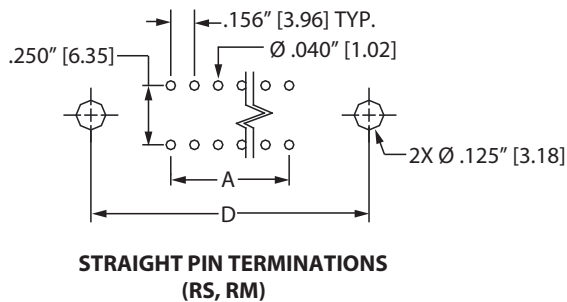
DUAL (D)

TERMINATION TYPE

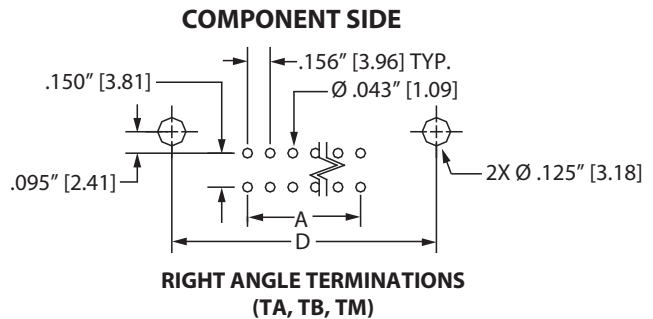


TERMINATION TYPE	POST CROSS SECTION (K)	POST LENGTH L ± .025 [0.64]	FITS MIN. HOLE SIZE
RS Dip Solder	.025" [0.64] SQUARE	.190" [4.83]	.040" [1.02]
RM Wire Wrap	.025" [0.64] SQUARE	.560" [14.20]	.040" [1.02]
TA Right Angle	.025" [0.64] SQUARE	.100" [2.54]	.043" [1.09]
TB Right Angle	.025" [0.64] SQUARE	.180" [4.57]	.043" [1.09]
TM Right Angle	.025" [0.64] SQUARE	.250" [6.35]	.043" [1.09]

PCB LAYOUT

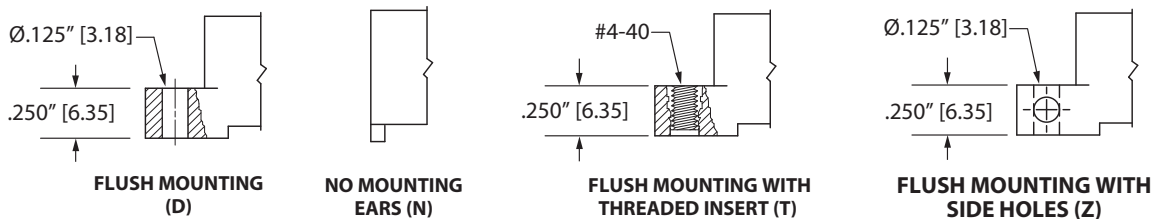


STRAIGHT PIN TERMINATIONS (RS, RM)



RIGHT ANGLE TERMINATIONS (TA, TB, TM)

MOUNTING STYLE



.156" [3.96 mm] Contact Centers, .610" [15.49 mm] Insulator Height, Dip Solder/Wire Wrap/Right Angle for .093" [2.36 mm] or .125" [3.18 mm] Mating PCB

PART NUMBER OPTIONS

E B M 43 D RM D - S273

MATERIALS (INSULATOR/CONTACT)
 E = PBT/Phosphor Bronze (Standard)
 R = PPS/Phosphor Bronze
 G = PA9T/Phosphor Bronze
 H = PBT/ Beryllium Copper
 A = PPS/Beryllium Copper
 J = PA9T/Beryllium Copper
 (Consult factory for other materials.)
 Refer to Page 7 for Operating/Processing Temperatures

CONTACT FINISH - RoHS Compliant
All platings are Lead Free and have .000050" Nickel underplate

Contact Surface	Termination
B = .000010" Gold	.000100" Pure Tin, Matte
C = .000030" Gold	.000100" Pure Tin, Matte
G = .000010" Gold	.000005" Gold
Y = .000030" Gold	.000005" Gold
Contact Surface	Overall Plating
S = .000010" Gold	.000010" Gold
M = .000030" Gold	.000010" Gold
E = .000100" Pure Tin, Matte	.000100" Pure Tin, Matte

CONTACT CENTERS
 M = .156" [3.96 mm]

MODIFICATION CODE (Consult Factory)
 -S273 = FOR .093" ± .008" [2.36 mm ± 0.20 mm] THICK MATING PCB
 -S664 = FOR .125" ± .008" [3.18 mm ± 0.20 mm] THICK MATING PCB

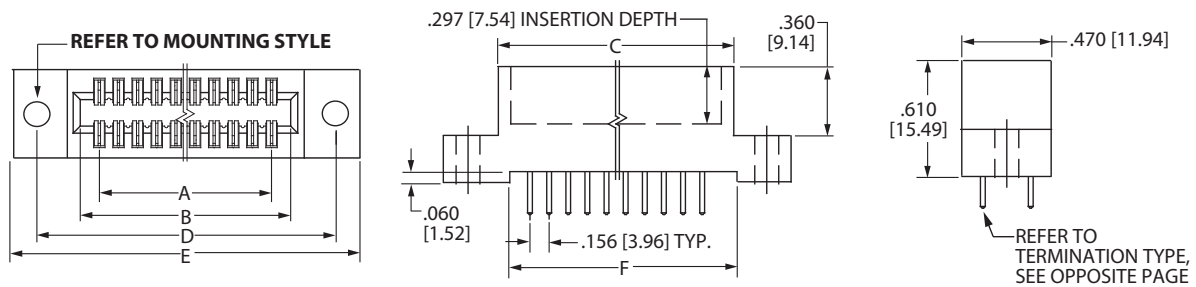
MOUNTING STYLE (Opposite Page)
 N = No Mounting
 D = Flush Mounting
 T = Flush Mounting With Threaded Inserts
 Z = Flush Mounting With Side Holes

TERMINATION TYPE (Opposite Page)
 RS = .025" [0.64 mm] Square Dip Solder
 RM = .025" [0.64 mm] Square Wire Wrap
 TA, TB, TM = .025" [0.64 mm] Square Right Angle

READOUT (Opposite Page)
 D = Dual

NUMBER OF CONTACT POSITIONS
 See Chart Below

DIMENSIONS Dimensions in [] are in millimeters, all others are in inches.



Tolerances on non-critical dimensions may vary slightly due to shrinkage differential per insulator material; Consult factory.

POSITIONS/ CONTACTS	INCHES						MILLIMETERS					
	A±.008	B±.008	C±.015	D±.010	E±.020	F±.015	A±0.20	B±0.20	C±0.38	D±0.25	E±0.51	F±0.38
06/12	0.780	1.102	1.221	1.534	1.784	1.104	19.81	27.99	31.01	38.96	45.31	28.04
08/16*	1.092	1.414	1.533	1.846	2.096	1.416	27.74	35.92	38.94	46.89	53.24	35.97
10/20	1.404	1.726	1.845	2.158	2.408	1.728	35.66	43.84	46.86	54.81	61.16	43.89
12/24	1.716	2.038	2.157	2.470	2.720	2.040	43.59	51.77	54.79	62.74	69.09	51.82
15/30	2.184	2.506	2.625	2.938	3.188	2.508	55.47	63.65	66.68	74.63	80.98	63.70
18/36	2.652	2.974	3.093	3.406	3.656	2.976	67.36	75.54	78.56	86.51	92.86	75.59
20/40	2.964	3.286	3.405	3.718	3.968	3.288	75.29	83.46	86.49	94.44	100.79	83.52
22/44	3.276	3.598	3.717	4.030	4.280	3.600	83.21	91.39	94.41	102.36	108.71	91.44
24/48*	3.588	3.910	4.029	4.342	4.592	3.912	91.14	99.31	102.34	110.29	116.64	99.37
25/50*	3.744	4.066	4.185	4.498	4.748	4.068	95.10	103.28	106.30	114.25	120.60	103.33
28/56*	4.212	4.534	4.653	4.966	5.216	4.536	106.98	115.16	118.19	126.14	132.49	115.21
30/60*	4.524	4.846	4.965	5.278	5.528	4.848	114.91	123.09	126.11	134.06	140.41	123.14
31/62*	4.680	5.002	5.121	5.434	5.684	5.004	118.87	127.05	130.07	138.02	144.37	127.10
32/64	4.836	5.158	5.277	5.590	5.840	5.160	122.83	131.01	134.04	141.99	148.34	131.06
36/72	5.460	5.782	5.901	6.214	6.464	5.784	138.68	146.86	149.89	157.84	164.19	146.91
40/80*	6.084	6.406	6.525	6.838	7.088	6.408	154.53	162.71	165.74	173.69	180.04	162.76
43/86*	6.552	6.874	6.993	7.306	7.556	6.876	166.42	174.60	177.62	185.57	191.92	174.65

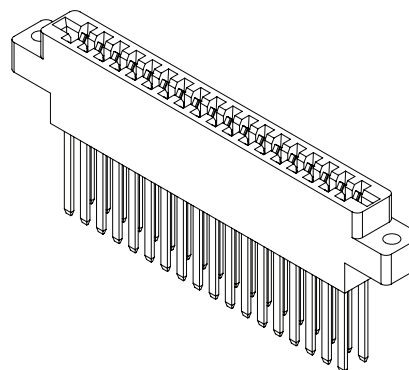
* Consult factory for availability.

Female Card Edge

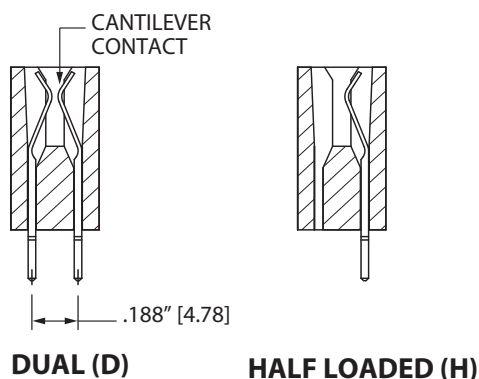
.156" [3.96 mm] Contact Centers, .720" [18.29 mm] Insulator Height, .045" [1.14 mm] square / .031" [0.79 mm] X .062" [1.57 mm] Wire Wrap

SPECIFICATIONS

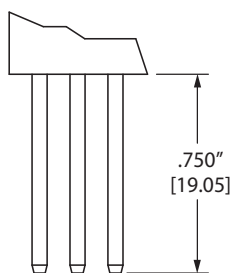
- Accommodates $.062" \pm .008"$ [1.57 mm \pm 0.20 mm] PC board
- PBT insulator
- Molded-in key available
- 3 Amps current rating per contact for contacts fully energized (for 5 Amps application, consult factory)
- 30 milli Ohms maximum at rated current
- UL Flammability Rating: 94V-0



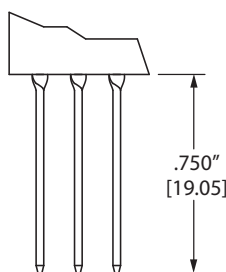
READOUT



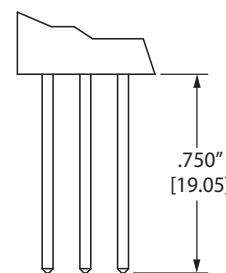
TERMINATION TYPE



.062" X .031" [1.57 X 0.79] POSTS, (KK)

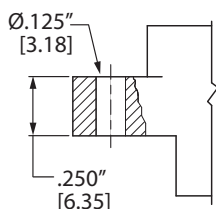


.031" X .062" [0.79 X 1.57] 90° TWISTED POSTS, (KL)



.045" [1.14] SQUARE POSTS (WW)

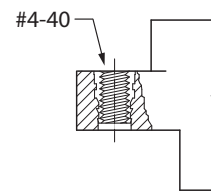
MOUNTING STYLE



CLEARANCE HOLE (H)



NO MOUNTING EARS (N)



THREADED INSERT (I)

.156" [3.96 mm] Contact Centers, .720" [18.29 mm] Insulator Height, .045" [1.14 mm] square / .031" [0.79 mm] X .062" [1.57 mm] Wire Wrap

PART NUMBER OPTIONS

MATERIALS (INSULATOR/CONTACT)

E = PBT/Phosphor Bronze (Standard)
(Consult factory for other materials.)
Refer to Page 7 for Operating/Processing Temperatures

CONTACT FINISH - RoHS Compliant

All platings are Lead Free and have .000050" Nickel underplate

Contact Surface	Termination
B = .000010" Gold	.000100" Pure Tin, Matte
C = .000030" Gold	.000100" Pure Tin, Matte
G = .000010" Gold	.000005" Gold
Y = .000030" Gold	.000005" Gold
Contact Surface	Overall Plating
S = .000010" Gold	.000010" Gold
M = .000030" Gold	.000010" Gold
E = .000100" Pure Tin, Matte	.000100" Pure Tin, Matte

CONTACT CENTERS

M = .156" [3.96 mm]

E B M 43 D KK H - Sxxx

MODIFICATION CODE (Consult Factory)

OMIT FOR STANDARD

MOUNTING STYLE (Opposite page)

H = Clearance Hole
N = No Mounting
I = Threaded Inserts

TERMINATION TYPE (Opposite Page)

KK = .062" X .031" [1.57 mm X 0.79 mm] Post
KL = .031" X .062" [0.79 mm X 1.57 mm] Post, Twisted 90°
WW = .045" [1.14 mm] Square Post

READOUT (Opposite Page)

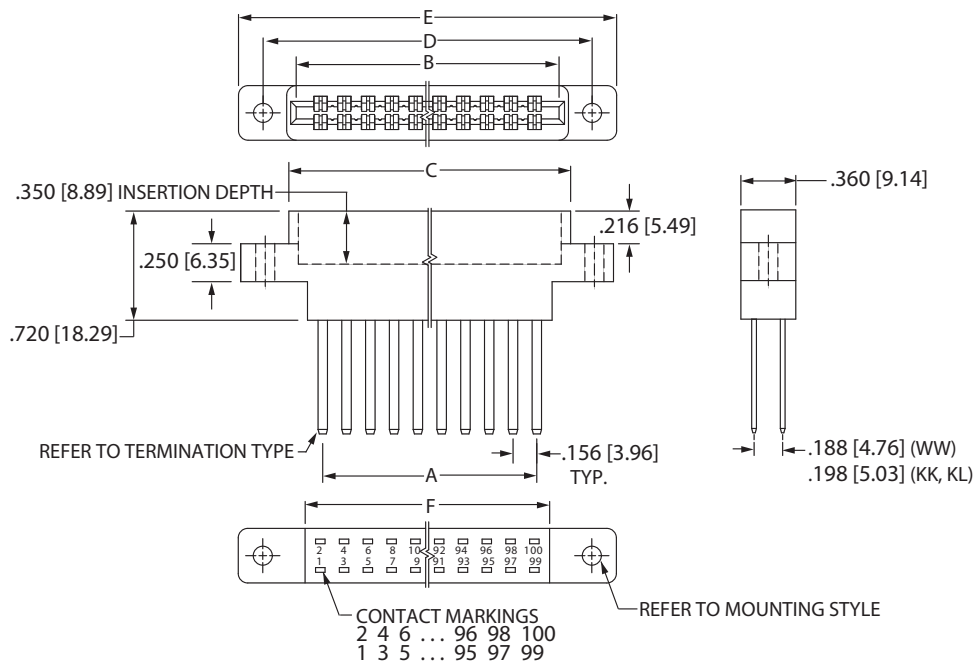
D = Dual Row
H = Half Loaded

NUMBER OF CONTACT POSITIONS

See Chart Below

DIMENSIONS

Dimensions in [] are in millimeters, all others are in inches.



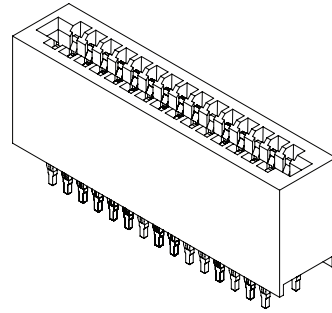
POSITIONS/ CONTACTS	INCHES						MILLIMETERS					
	A±.008	B±.008	C±.015	D±.010	E±.020	F±.015	A±0.20	B±0.20	C±0.38	D±0.25	E±0.51	F±0.38
06/12	0.780	1.100	1.224	1.534	1.784	0.980	19.81	27.94	31.09	38.96	45.31	24.89
10/20	1.404	1.724	1.848	2.158	2.408	1.604	35.66	43.79	46.94	54.81	61.16	40.74
12/24	1.716	2.036	2.160	2.470	2.720	1.916	43.59	51.71	54.86	62.74	69.09	48.67
15/30	2.184	2.504	2.628	2.938	3.188	2.384	55.47	63.60	66.75	74.63	80.98	60.55
18/36	2.652	2.972	3.096	3.406	3.656	2.852	67.36	75.49	78.64	86.51	92.86	72.44
20/40	2.964	3.284	3.408	3.718	3.968	3.164	75.29	83.41	86.56	94.44	100.79	80.37
22/44	3.276	3.596	3.720	4.030	4.280	3.476	83.21	91.34	94.49	102.36	108.71	88.29
25/50*	3.744	4.064	4.188	4.498	4.748	3.944	95.10	103.23	106.38	114.25	120.60	100.18
28/56	4.212	4.532	4.656	4.966	5.216	4.412	106.98	115.11	118.26	126.14	132.49	112.06
30/60*	4.524	4.844	4.968	5.278	5.528	4.724	114.91	123.04	126.19	134.06	140.41	119.99
31/62*	4.680	5.000	5.124	5.434	5.684	4.880	118.87	127.00	130.15	138.02	144.37	123.95
36/72	5.460	5.780	5.904	6.214	6.464	5.660	138.68	146.81	149.96	157.84	164.19	143.76
43/86	6.552	6.872	6.996	7.306	7.556	6.752	166.42	174.55	177.70	185.57	191.92	171.50
50/100*	7.644	7.964	8.088	8.398	8.648	7.844	194.16	202.29	205.44	213.31	219.66	199.24

* Consult factory for availability.

.100" [2.54 mm] Contact Centers, .550" [13.97 mm] or .610" [15.49 mm] Profile, Press Fit

SPECIFICATIONS

- UL Flammability Rating: 94V-0
- Designed to meet specifications of Bellcore specification TR-TSY-00078.
- Flat rock installation eliminates the need for any special installation tool.
- Integrally molded scoops available to assist daughter card entry.
- Molded-in key available



FEATURES

COMPLIANT SECTION INSERTION FORCE

40 lbs maximum per contact

COMPLIANT SECTION WITHDRAWAL FORCE

10 lbs minimum per contact

HOLE SIZE REQUIREMENTS

Drilled Hole Diameter: $.0453'' \pm .0010''$ [1.150 mm \pm 0.025 mm]

Plating: $.001''$ [0.03 mm] to $.003''$ [0.08 mm] Copper and $.0003''$ [0.008 mm] Minimum Tin

FINISHED HOLE DIAMETER

$.040'' \pm .003''$ [1.02 mm \pm 0.08 mm]

SUITABLE FOR .062" [1.57] DAUGHTER CARD

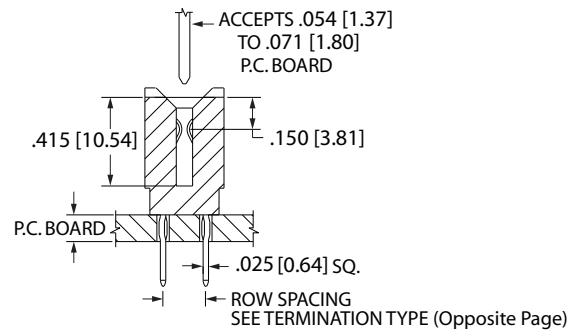
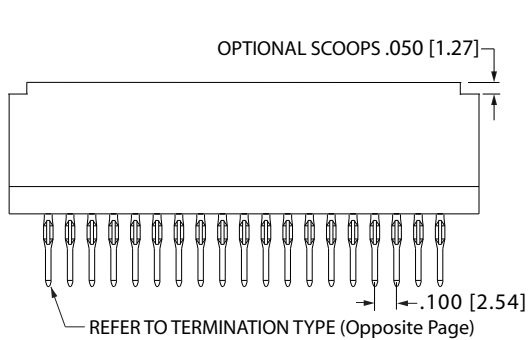
RECOMMENDED MOTHERBOARD THICKNESS

$.093''$ to $.125''$ [2.36 mm to 3.18 mm]

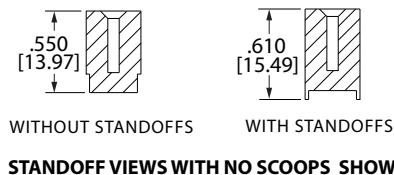
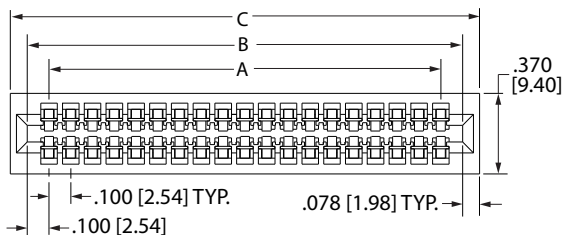
UL-CUL RECOGNIZED

DIMENSIONS

Dimensions in [] are in millimeters, all others are in inches.



-S1136 (WITH SCOOPS) SHOWN ABOVE



.100" [2.54 mm] Contact Centers, .550" [13.97 mm] or .610" [15.49 mm] Profile, Press Fit

PART NUMBER OPTIONS

E C C 43 D JB N - Sxxx

MATERIALS (INSULATOR/CONTACT)

E = PBT/Phosphor Bronze

Refer to Page 7 for Operating/Processing Temperatures

CONTACT FINISH - RoHS Compliant

All platings are Lead Free and have .000050" Nickel underplate

Contact Surface Termination

C = .000030" Gold .000100" Pure Tin, Matte

CONTACT CENTERS

C = .100" [2.54 mm]

NUMBER OF CONTACT POSITIONS

See Chart Below

READOUT

D = Dual

MODIFICATIONS (Consult Factory)

OMIT FOR STANDARD

Special Number assigned for specials such as:

- Scoops (-S1136)
- Other Card Slot Depths

MOUNTING STYLE

N = No Mounting

TERMINATION TYPE

	Standoffs	Row Spacing	Tail Length
JB = No*	.200"	[5.08 mm]	.190" [4.83 mm]
JC = No*	.200"	[5.08 mm]	.625" [15.88 mm]
JW = Yes	.200"	[5.08 mm]	.190" [4.83 mm]
JX = Yes	.200"	[5.08 mm]	.565" [14.35 mm]
JF = No*	.100"	[2.54 mm]	.190" [4.83 mm]
JG = No*	.100"	[2.54 mm]	.625" [15.88 mm]
JY = Yes	.100"	[2.54 mm]	.190" [4.83 mm]
JZ = Yes	.100"	[2.54 mm]	.565" [14.35 mm]

* Consult factory for availability.

POSITIONS/ CONTACTS	A±.008[0.20]		B±.008[0.20]		C±.015[0.38]	
	in	mm	in	mm	in	mm
05/10	0.400	10.16	0.600	15.24	0.756	19.20
06/12	0.500	12.70	0.700	17.78	0.856	21.74
07/14	0.600	15.24	0.800	20.32	0.956	24.28
08/16*	0.700	17.78	0.900	22.86	1.056	26.82
09/18*	0.800	20.32	1.000	25.40	1.156	29.36
10/20	0.900	22.86	1.100	27.94	1.256	31.90
11/22*	1.000	25.40	1.200	30.48	1.356	34.44
12/24	1.100	27.94	1.300	33.02	1.456	36.98
13/26	1.200	30.48	1.400	35.56	1.556	39.52
14/28*	1.300	33.02	1.500	38.10	1.656	42.06
15/30	1.400	35.56	1.600	40.64	1.756	44.60
16/32	1.500	38.10	1.700	43.18	1.856	47.14
17/34	1.600	40.64	1.800	45.72	1.956	49.68
18/36	1.700	43.18	1.900	48.26	2.056	52.22
19/38*	1.800	45.72	2.000	50.80	2.156	54.76
20/40	1.900	48.26	2.100	53.34	2.256	57.30
21/42*	2.000	50.80	2.200	55.88	2.356	59.84
22/44	2.100	53.34	2.300	58.42	2.456	62.38
23/46	2.200	55.88	2.400	60.96	2.556	64.92
24/48	2.300	58.42	2.500	63.50	2.656	67.46
25/50	2.400	60.96	2.600	66.04	2.756	70.00
26/52	2.500	63.50	2.700	68.58	2.856	72.54
27/54*	2.600	66.04	2.800	71.12	2.956	75.08
28/56	2.700	68.58	2.900	73.66	3.056	77.62
29/58*	2.800	71.12	3.000	76.20	3.156	80.16
30/60	2.900	73.66	3.100	78.74	3.256	82.70
31/62	3.000	76.20	3.200	81.28	3.356	85.24
32/64*	3.100	78.74	3.300	83.82	3.456	87.78

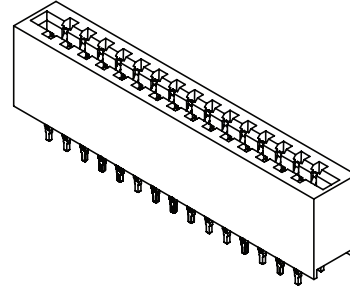
* Consult factory for availability.

POSITIONS/ CONTACTS	A±.008[0.20]		B±.008[0.20]		C±.015[0.38]	
	in	mm	in	mm	in	mm
33/66*	3.200	81.28	3.400	86.36	3.556	90.32
34/68	3.300	83.82	3.500	88.90	3.656	92.86
35/70	3.400	86.36	3.600	91.44	3.756	95.40
36/72	3.500	88.90	3.700	93.98	3.856	97.94
37/74*	3.600	91.44	3.800	96.52	3.956	100.48
38/76*	3.700	93.98	3.900	99.06	4.056	103.02
39/78*	3.800	96.52	4.000	101.60	4.156	105.56
40/80	3.900	99.06	4.100	104.14	4.256	108.10
41/82*	4.000	101.60	4.200	106.68	4.356	110.64
42/84*	4.100	104.14	4.300	109.22	4.456	113.18
43/86	4.200	106.68	4.400	111.76	4.556	115.72
44/88	4.300	109.22	4.500	114.30	4.656	118.26
45/90*	4.400	111.76	4.600	116.84	4.756	120.80
46/92*	4.500	114.30	4.700	119.38	4.856	123.34
47/94*	4.600	116.84	4.800	121.92	4.956	125.88
48/96*	4.700	119.38	4.900	124.46	5.056	128.42
49/98*	4.800	121.92	5.000	127.00	5.156	130.96
50/100	4.900	124.46	5.100	129.54	5.256	133.50
51/102*	5.000	127.00	5.200	132.08	5.356	136.04
52/104*	5.100	129.54	5.300	134.62	5.456	138.58
53/106*	5.200	132.08	5.400	137.16	5.556	141.12
54/108*	5.300	134.62	5.500	139.70	5.656	143.66
55/110	5.400	137.16	5.600	142.24	5.756	146.20
56/112*	5.500	139.70	5.700	144.78	5.856	148.74
57/114*	5.600	142.24	5.800	147.32	5.956	151.28
58/116*	5.700	144.78	5.900	149.86	6.056	153.82
59/118*	5.800	147.32	6.000	152.40	6.156	156.36
60/120	5.900	149.86	6.100	154.94	6.256	158.90

.156" [3.96 mm] Contact Centers, .550" [13.97 mm] or .610" [15.49 mm] Profile, Press Fit

SPECIFICATIONS

- Designed to meet specifications of Bellcore specification TR-TSY-00078.
- Flat rock installation eliminates the need for any special installation tool.
- Integrally molded scoops available to assist daughter card entry.
- Molded-in key available



FEATURES

COMPLIANT SECTION INSERTION FORCE
40 lbs maximum per contact

COMPLIANT SECTION WITHDRAWAL FORCE
10 lbs minimum per contact

HOLE SIZE REQUIREMENTS
Drilled Hole Diameter: $.0453" \pm .0010"$ [1.150 mm \pm 0.025 mm]
Plating: $.001"$ [0.03 mm] to $.003"$ [0.08 mm] Copper and $.0003"$ [0.008 mm] Minimum Tin

FINISHED HOLE DIAMETER
 $.040" \pm .003"$ [1.02 mm \pm 0.08 mm]

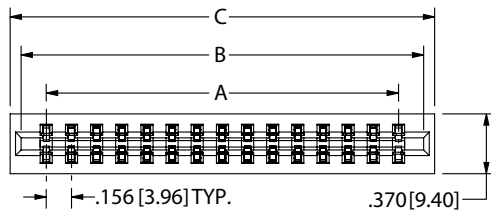
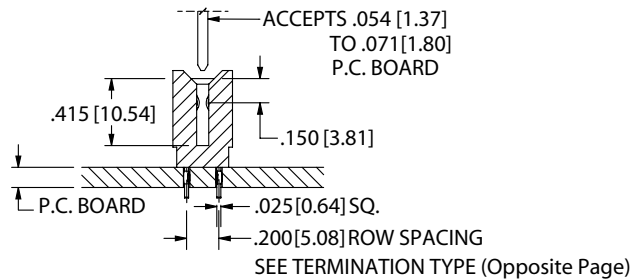
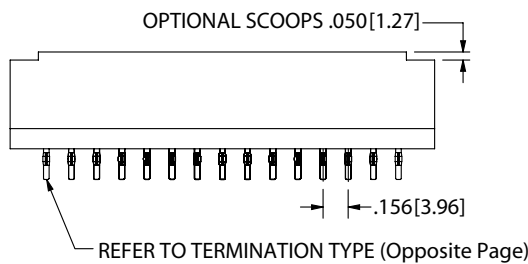
SUITABLE FOR .062" [1.57 mm] DAUGHTER CARD

RECOMMENDED MOTHERBOARD THICKNESS
.093" to .125" [2.36 mm to 3.18 mm]

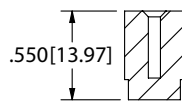
UL-CUL RECOGNIZED

DIMENSIONS

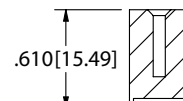
Dimensions in [] are in millimeters, all others are in inches.



-S1136 (WITH SCOOPS) SHOWN ABOVE



WITHOUT STANDOFFS

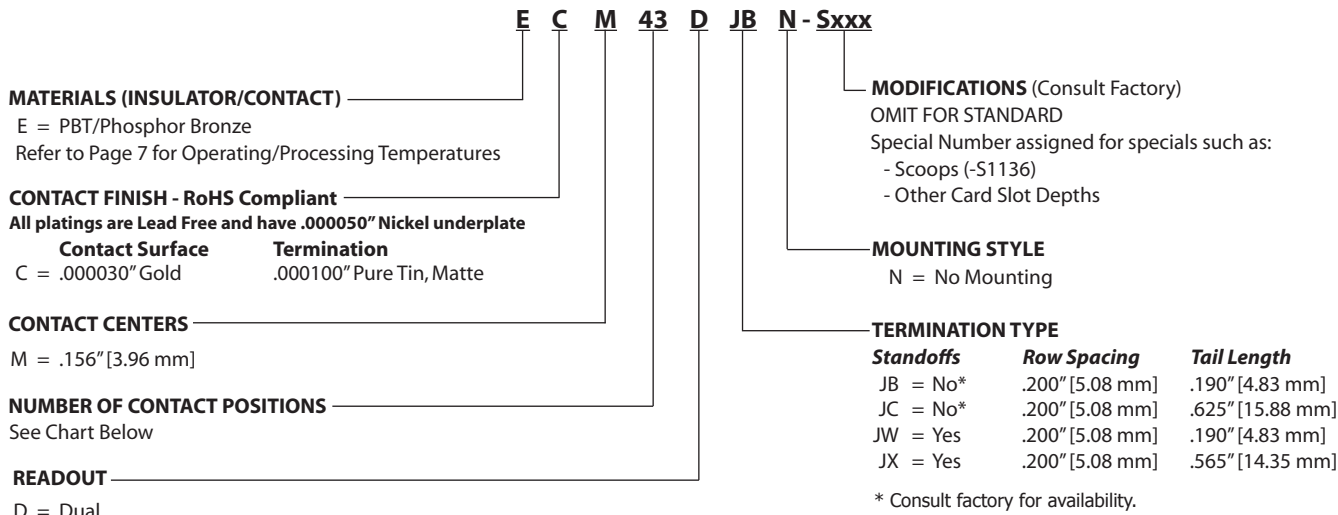


WITH STANDOFFS

STANDOFFS VIEWS WITH NO SCOOPS SHOWN

.156" [3.96 mm] Contact Centers, .550" [13.97 mm] or .610" [15.49 mm] Profile, Press Fit

PART NUMBER OPTIONS



POSITIONS/ CONTACTS	A±.008[0.20]		B±.008[0.20]		C±.015[0.38]	
	in	mm	in	mm	in	mm
05/10*	0.624	15.85	0.944	23.98	1.072	27.23
06/12*	0.780	19.81	1.100	27.94	1.228	31.19
07/14*	0.936	23.77	1.256	31.90	1.384	35.15
08/16	1.092	27.74	1.412	35.86	1.540	39.12
09/18*	1.248	31.70	1.568	39.83	1.696	43.08
10/20	1.404	35.66	1.724	43.79	1.852	47.04
11/22*	1.560	39.62	1.880	47.75	2.008	51.00
12/24*	1.716	43.59	2.036	51.71	2.164	54.97
13/26*	1.872	47.55	2.192	55.68	2.320	58.93
14/28*	2.028	51.51	2.348	59.64	2.476	62.89
15/30*	2.184	55.47	2.504	63.60	2.632	66.85
16/32*	2.340	59.44	2.660	67.56	2.788	70.82
17/34*	2.496	63.40	2.816	71.53	2.944	74.78
18/36*	2.652	67.36	2.972	75.49	3.100	78.74
19/38*	2.808	71.32	3.128	79.45	3.256	82.70
20/40*	2.964	75.29	3.284	83.41	3.412	86.66
21/42*	3.120	79.25	3.440	87.38	3.568	90.63
22/44	3.276	83.21	3.596	91.34	3.724	94.59

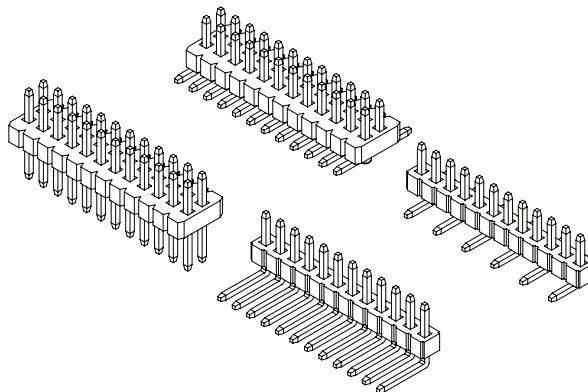
POSITIONS/ CONTACTS	A±.008[0.20]		B±.008[0.20]		C±.015[0.38]	
	in	mm	in	mm	in	mm
23/46*	3.432	87.17	3.752	95.30	3.880	98.55
24/48*	3.588	91.14	3.908	99.26	4.036	102.51
25/50*	3.744	95.10	4.064	103.23	4.192	106.48
26/52*	3.900	99.06	4.220	107.19	4.348	110.44
27/54*	4.056	103.02	4.376	111.15	4.504	114.40
28/56	4.212	106.98	4.532	115.11	4.660	118.36
29/58*	4.368	110.95	4.688	119.08	4.816	122.33
30/60*	4.524	114.91	4.844	123.04	4.972	126.29
31/62*	4.680	118.87	5.000	127.00	5.128	130.25
32/64*	4.836	122.83	5.156	130.96	5.284	134.21
33/66*	4.992	126.80	5.312	134.92	5.440	138.18
34/68*	5.148	130.76	5.468	138.89	5.596	142.14
35/70*	5.304	134.72	5.624	142.85	5.752	146.10
36/72*	5.460	138.68	5.780	146.81	5.908	150.06
37/74*	5.616	142.65	5.936	150.77	6.064	154.03
38/76*	5.772	146.61	6.092	154.74	6.220	157.99
39/78*	5.928	150.57	6.248	158.70	6.376	161.95

* Consult factory for availability.

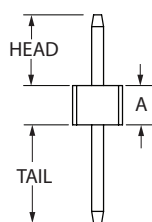
1.00 mm [.039"] Contact Centers, Male Headers, Straight/Right Angle/SMT-SMH Series Mates with SFM series

SPECIFICATIONS

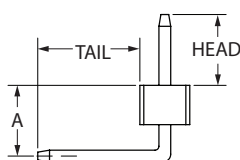
- 1 Amp current rating
- UL Flammability Rating: 94V-0
- Insulator Material: Black LCP
- Contact Material: Phosphor Bronze
- Insulation Resistance: 1000 Megohms Min.
- Contact Resistance: 20 milli Ohms Max.
- Dielectric Withstanding: 300 VAC
- Operating Temperature: -40°C to +125°C
- Processing Temperature: 260°C Max. for 10 seconds
- Stacker Options available - Consult factory



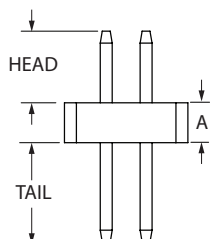
TERMINATION TYPE



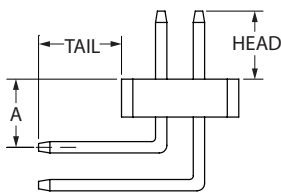
Straight, (ST)



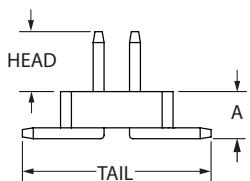
Right Angle, (RA)



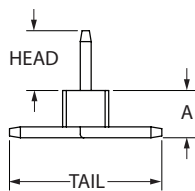
Straight, (ST)



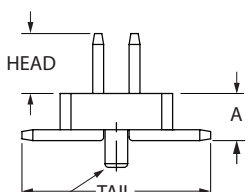
Right Angle, (RA)



SMT Without Guide Posts, (SM)



SMT, (SC) or (SD)



SMT With Guide Posts, (SP)

SINGLE ROW

EXAMPLE P/N	HEAD	TAIL	A
STRAIGHT TERMINATION			
SMH100-LPPE-S10-ST-BK	1.80 [.071"]	2.50 [.098"]	1.00 [.039"]
RIGHT ANGLE TERMINATION			
SMH100-LPPE-S10-RA-BK	1.80 [.071"]	2.60 [.102"]	1.80 [.071"]

DUAL ROW

EXAMPLE P/N	HEAD	TAIL	A
STRAIGHT TERMINATIONS			
SMH100-LPPE-D10-ST-BK	1.80 [.071"]	2.50 [.098"]	1.00 [.039"]
SMH150-LPPE-D10-ST-BK	1.80 [.071"]	2.50 [.098"]	1.50 [.059"]
RIGHT ANGLE TERMINATION			
SMH100-LPPE-D10-RA-BK	1.80 [.071"]	2.60 [.102"]	1.80 [.071"]

SURFACE MOUNT TERMINATIONS

EXAMPLE P/N	HEAD	TAIL	A
SINGLE ROW			
SMH100-LPPE-S10-SC-BK	1.65 [.065"]	4.20 [.165"]	1.30 [.051"]
SMH100-LPPE-S10-SD-BK	1.65 [.065"]	4.20 [.165"]	1.30 [.051"]
DUAL ROW			
SMH101-LPPE-D10-SM-BK	1.65 [.065"]	5.20 [.205"]	1.30 [.051"]
SMH101-LPPE-D10-SP-BK	1.65 [.065"]	5.20 [.205"]	1.30 [.051"]
SMH102-LPPE-D10-SM-BK	1.90 [.075"]	5.20 [.205"]	1.30 [.051"]
SMH102-LPPE-D10-SP-BK	1.90 [.075"]	5.20 [.205"]	1.30 [.051"]
SMH103-LPPE-D10-SM-BK	3.53 [.139"]	5.20 [.205"]	1.30 [.051"]
SMH103-LPPE-D10-SP-BK	3.53 [.139"]	5.20 [.205"]	1.30 [.051"]
SMH151-LPPE-D10-SM-BK	1.65 [.065"]	5.20 [.205"]	1.80 [.071"]
SMH151-LPPE-D10-SP-BK	1.65 [.065"]	5.20 [.205"]	1.80 [.071"]
SMH152-LPPE-D10-SM-BK	1.90 [.075"]	5.20 [.205"]	1.80 [.071"]
SMH152-LPPE-D10-SP-BK	1.90 [.075"]	5.20 [.205"]	1.80 [.071"]

1.00 mm [.039"] Contact Centers, Male Headers, Straight/Right Angle/SMT-SMH Series Mates with SFM series

PART NUMBER OPTIONS

SMH100 - L P P E - S 10 - ST - BK

SERIES (See Opposite Page)
 SMH100 = 1.00 [.039"] Profile, 1.80 [.071"] Head Height
 SMH101 = 1.00 [.039"] Profile, 1.65 [.065"] Head Height
 SMH102 = 1.00 [.039"] Profile, 1.90 [.075"] Head Height
 SMH103 = 1.00 [.039"] Profile, 3.53 [.139"] Head Height
 SMH150 = 1.50 [.059"] Profile, 1.80 [.071"] Head Height
 SMH151 = 1.50 [.059"] Profile, 1.65 [.065"] Head Height
 SMH152 = 1.50 [.059"] Profile, 1.90 [.075"] Head Height

INSULATOR MATERIAL
 L = LCP

CONTACT MATERIAL
 P = Phosphor Bronze

CONTACT FINISH - RoHS Compliant
 P = Gold Flash Overall
 S = .00010" Gold on Contact Surface, Gold Flash on Termination

CONTACT CENTERS
 E = 1.00 mm [.039"]

COLOR
 BK = Black

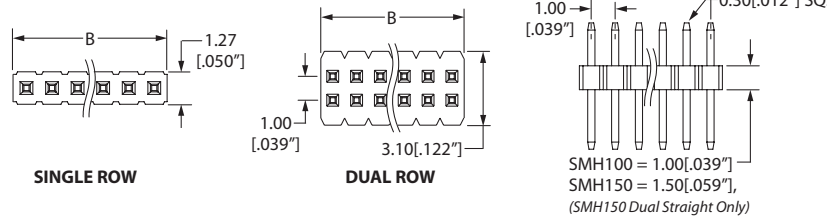
TERMINATION TYPE (See Opposite Page)
 ST = Straight (Single & Dual Row)
 RA = Right Angle (Single & Dual Row)
 SC = Surface Mount, Standard (Single Row)
 SD = Surface Mount, Opposite Bend,
 Applicable on Even Pin Counts (Single Row)
 SM = Surface Mount without Guide Posts (Dual Row)
 SP = Surface Mount with Guide Posts (Dual Row)

NUMBER OF CONTACT POSITIONS (Pins per Row)
 02 thru 50

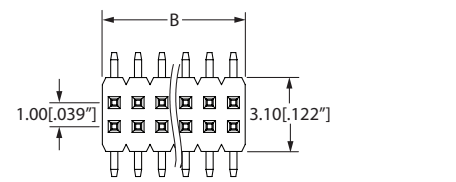
NUMBER OF ROWS
 S = Single Row
 D = Dual Row

DIMENSIONS

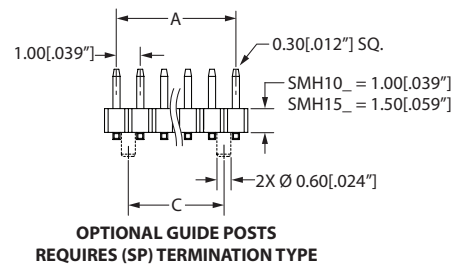
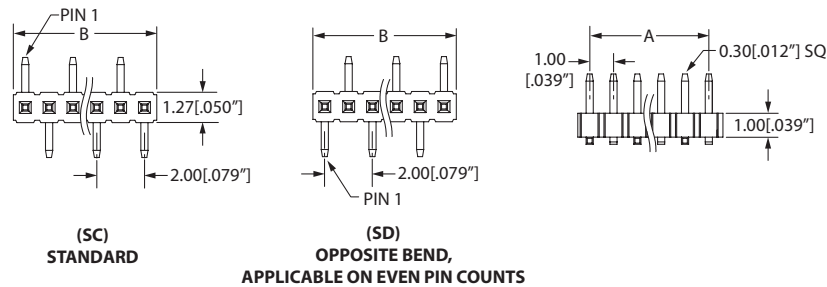
STRAIGHT (SHOWN) & RIGHT ANGLE



SURFACE MOUNT, DUAL ROW



SURFACE MOUNT, SINGLE ROW



POSITIONS	NUMBER OF CONTACTS SINGLE/DUAL	A		B		C	
		mm	in	mm	in	mm	in
02*	02/04	1.00	0.039	2.00	0.079	N/A	N/A
03	03/06	2.00	0.079	3.00	0.118	1.00	0.039
04	04/08	3.00	0.118	4.00	0.157	2.00	0.079
05	05/10	4.00	0.157	5.00	0.197	3.00	0.118
06	06/12	5.00	0.197	6.00	0.236	4.00	0.157
07	07/14	6.00	0.236	7.00	0.276	5.00	0.197
08	08/16	7.00	0.276	8.00	0.315	6.00	0.236
09	09/18	8.00	0.315	9.00	0.354	7.00	0.276
10	10/20	9.00	0.354	10.00	0.394	8.00	0.315
11	11/22	10.00	0.394	11.00	0.433	9.00	0.354
12	12/24	11.00	0.433	12.00	0.472	10.00	0.394
13	13/26	12.00	0.472	13.00	0.512	11.00	0.433
14	14/28	13.00	0.512	14.00	0.551	12.00	0.472
15	15/30	14.00	0.551	15.00	0.591	13.00	0.512
16	16/32	15.00	0.591	16.00	0.630	14.00	0.551
17	17/34	16.00	0.630	17.00	0.669	15.00	0.591
18	18/36	17.00	0.669	18.00	0.709	16.00	0.630
19	19/38	18.00	0.709	19.00	0.748	17.00	0.669
20	20/40	19.00	0.748	20.00	0.787	18.00	0.709
21	21/42	20.00	0.787	21.00	0.827	19.00	0.748
22	22/44	21.00	0.827	22.00	0.866	20.00	0.787
23	23/46	22.00	0.866	23.00	0.906	21.00	0.827
24	24/48	23.00	0.906	24.00	0.945	22.00	0.866
25	25/50	24.00	0.945	25.00	0.984	23.00	0.906
26	26/52	25.00	0.984	26.00	1.024	24.00	0.945

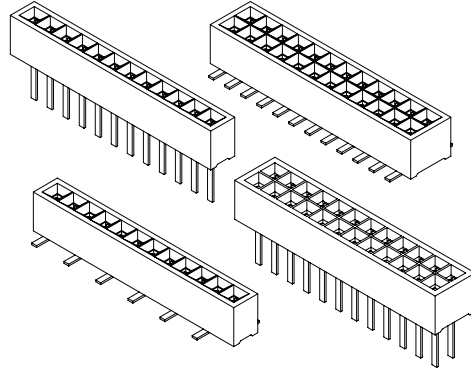
POSITIONS	NUMBER OF CONTACTS SINGLE/DUAL	A		B		C	
		mm	in	mm	in	mm	in
27	27/54	26.00	1.024	27.00	1.063	25.00	0.984
28	28/56	27.00	1.063	28.00	1.102	26.00	1.024
29	29/58	28.00	1.102	29.00	1.142	27.00	1.063
30	30/60	29.00	1.142	30.00	1.181	28.00	1.102
31	31/62	30.00	1.181	31.00	1.220	29.00	1.142
32	32/64	31.00	1.220	32.00	1.260	30.00	1.181
33	33/66	32.00	1.260	33.00	1.299	31.00	1.220
34	34/68	33.00	1.299	34.00	1.339	32.00	1.260
35	35/70	34.00	1.339	35.00	1.378	33.00	1.299
36	36/72	35.00	1.378	36.00	1.417	34.00	1.339
37	37/74	36.00	1.417	37.00	1.457	35.00	1.378
38	38/76	37.00	1.457	38.00	1.496	36.00	1.417
39	39/78	38.00	1.496	39.00	1.535	37.00	1.457
40	40/80	39.00	1.535	40.00	1.575	38.00	1.496
41	41/82	40.00	1.575	41.00	1.614	39.00	1.535
42	42/84	41.00	1.614	42.00	1.654	40.00	1.575
43	43/86	42.00	1.654	43.00	1.693	41.00	1.614
44	44/88	43.00	1.693	44.00	1.732	42.00	1.654
45	45/90	44.00	1.732	45.00	1.772	43.00	1.693
46	46/92	45.00	1.772	46.00	1.811	44.00	1.732
47	47/94	46.00	1.811	47.00	1.850	45.00	1.772
48	48/96	47.00	1.850	48.00	1.890	46.00	1.811
49	49/98	48.00	1.890	49.00	1.929	47.00	1.850
50	50/100	49.00	1.929	50.00	1.969	48.00	1.890

* Position 2 not available with guide posts.

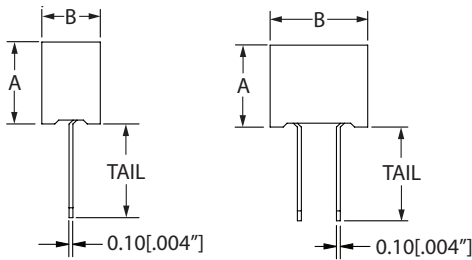
1.00 mm [.039"] Contact Centers, Female Headers, Straight/SMT- SFM Series Mates with SMH series

SPECIFICATIONS

- 1 Amp current rating
- UL Flammability Rating: 94V-0
- Insulator Material: Black LCP
- Contact Material: Phosphor Bronze
- Contact Resistance: 20 milli Ohms Max.
- Operating Temperature: -40°C to +125°C
- Processing Temperature: 260°C Max. for 10 seconds

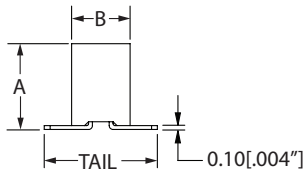


TERMINATION TYPE

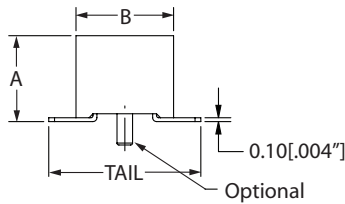


Single Row,
Straight, (ST)

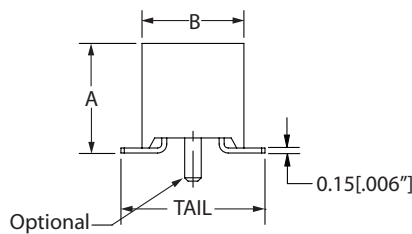
Dual Row,
Straight, (ST)



Single Row,
SMT, Pin 1 Left (SC) or
SMT, Pin 1 Right (SD)



SFM210-, Dual Row,
SMT Without Guide Posts (SM)
or SMT With Guide Posts (SP)



SFM315-, Dual Row,
SMT Without Guide Posts (SM)
or SMT With Guide Posts (SP)

STRAIGHT

EXAMPLE P/N	A	B	TAIL
SINGLE ROW			
SFM210-LPPE-S10-ST-BK	2.10 [.083"]	1.50 [.059"]	2.40 [.094"]
DUAL ROW			
SFM210-LPPE-D10-ST-BK	2.10 [.083"]	2.50 [.098"]	2.40 [.094"]

SURFACE MOUNT

EXAMPLE P/N	A	B	TAIL
SINGLE ROW			
SFM210-LPPE-S10-SC-BK	2.20 [.087"]	1.50 [.059"]	2.90 [.114"]
SFM210-LPPE-S10-SD-BK	2.20 [.087"]	1.50 [.059"]	2.90 [.114"]

SURFACE MOUNT

EXAMPLE P/N	A	B	TAIL
DUAL ROW			
SFM210-LPPE-D10-SM-BK	2.20 [.087"]	2.50 [.098"]	3.90 [.154"]
SFM210-LPPE-D10-SP-BK	2.20 [.087"]	2.50 [.098"]	3.90 [.154"]

SURFACE MOUNT

EXAMPLE P/N	A	B	TAIL
DUAL ROW			
SFM315-LPPE-D10-SM-BK	3.30 [.130"]	3.07 [.121"]	4.34 [.171"]
SFM315-LPPE-D10-SP-BK	3.30 [.130"]	3.07 [.121"]	4.34 [.171"]

1.00 mm [.039"] Contact Centers, Female Headers, Straight/SMT- SFM Series

Mates with SMH series

PART NUMBER OPTIONS

SFM210 - L P P E - S 10 - ST - BK

SERIES (See Opposite Page)

SFM210 = 2.10 mm [.083"] Profile
 SFM315 = 3.15 mm [.124"] Profile

INSULATOR MATERIAL

L = LCP

CONTACT MATERIAL

P = Phosphor Bronze

CONTACT FINISH - RoHS Compliant

P = Gold Flash Overall

S = .00010" Gold on Contact Surface, Gold Flash on Termination, (SFM 210 series)

G = .00010" Gold on Contact Surface, Gold Flash on Termination, (SFM315 series)

CONTACT CENTERS

E = 1.00 mm [.039"]

COLOR

BK = Black

TERMINATION TYPE (See Opposite Page)

ST = Straight (Single & Dual Row)

SC = Surface Mount, Standard (Single Row)

SD = Surface Mount, Opposite Bend,

Applicable on Even Pin Counts (Single Row)

SM = Surface Mount without Guide Posts (Dual Row)

SP = Surface Mount with Guide Posts (Dual Row)

NUMBER OF CONTACT POSITIONS (Pins per Row)

02 thru 50

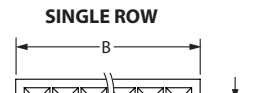
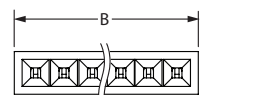
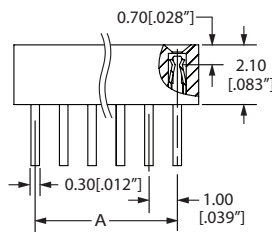
NUMBER OF ROWS

S = Single Row

D = Dual Row

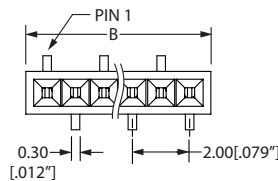
DIMENSIONS

STRAIGHT

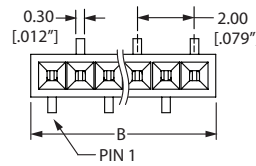


DUAL ROW

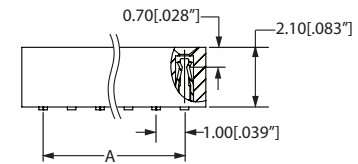
Surface Mount Top/Bottom Entry, Single Row



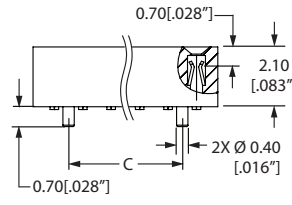
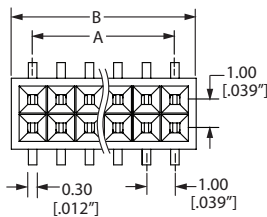
(SC) STANDARD



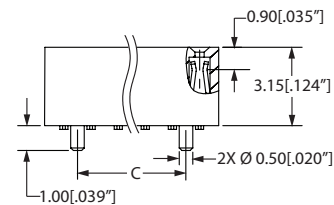
(SD) OPPOSITE BEND,
APPLICABLE ON EVEN PIN COUNTS



Surface Mount Top/Bottom Entry, Dual Row



SFM210-



SFM315-

OPTIONAL GUIDE POSTS REQUIRE (SP) TERMINATION TYPE

NUMBER OF CONTACTS SINGLE/ DUAL	A		B (SFM210)		B (SFM315)		C		NUMBER OF CONTACTS SINGLE/ DUAL	A		B (SFM210)		B (SFM315)		C	
	mm	in	mm	in	mm	in	mm	in		mm	in	mm	in	mm	in	mm	in
02/04*	1.00	0.039	2.50	0.098	2.40	0.094	N/A	N/A	27/54	26.00	1.024	27.50	1.083	27.40	1.079	25.00	0.984
03/06	2.00	0.079	3.50	0.138	3.40	0.134	1.00	0.039	28/56	27.00	1.063	28.50	1.122	28.40	1.118	26.00	1.024
04/08	3.00	0.118	4.50	0.177	4.40	0.173	2.00	0.079	29/58	28.00	1.102	29.50	1.161	29.40	1.157	27.00	1.063
05/10	4.00	0.157	5.50	0.217	5.40	0.213	3.00	0.118	30/60	29.00	1.142	30.50	1.201	30.40	1.197	28.00	1.102
06/12	5.00	0.197	6.50	0.256	6.40	0.252	4.00	0.157	31/62	30.00	1.181	31.50	1.240	31.40	1.236	29.00	1.142
07/14	6.00	0.236	7.50	0.295	7.40	0.291	5.00	0.197	32/64	31.00	1.220	32.50	1.280	32.40	1.276	30.00	1.181
08/16	7.00	0.276	8.50	0.335	8.40	0.331	6.00	0.236	33/66	32.00	1.260	33.50	1.319	33.40	1.315	31.00	1.220
09/18	8.00	0.315	9.50	0.374	9.40	0.370	7.00	0.276	34/68	33.00	1.299	34.50	1.358	34.40	1.354	32.00	1.260
10/20	9.00	0.354	10.50	0.413	10.40	0.409	8.00	0.315	35/70	34.00	1.339	35.50	1.398	35.40	1.394	33.00	1.299
11/22	10.00	0.394	11.50	0.453	11.40	0.449	9.00	0.354	36/72	35.00	1.378	36.50	1.437	36.40	1.433	34.00	1.339
12/24	11.00	0.433	12.50	0.492	12.40	0.488	10.00	0.394	37/74	36.00	1.417	37.50	1.476	37.40	1.472	35.00	1.378
13/26	12.00	0.472	13.50	0.531	13.40	0.528	11.00	0.433	38/76	37.00	1.457	38.50	1.516	38.40	1.512	36.00	1.417
14/28	13.00	0.512	14.50	0.571	14.40	0.567	12.00	0.472	39/78	38.00	1.496	39.50	1.555	39.40	1.551	37.00	1.457
15/30	14.00	0.551	15.50	0.610	15.40	0.606	13.00	0.512	40/80	39.00	1.535	40.50	1.594	40.40	1.591	38.00	1.496
16/32	15.00	0.591	16.50	0.650	16.40	0.646	14.00	0.551	41/82	40.00	1.575	41.50	1.634	41.40	1.630	39.00	1.535
17/34	16.00	0.630	17.50	0.689	17.40	0.685	15.00	0.591	42/84	41.00	1.614	42.50	1.673	42.40	1.669	40.00	1.575
18/36	17.00	0.669	18.50	0.728	18.40	0.724	16.00	0.630	43/86	42.00	1.654	43.50	1.713	43.40	1.709	41.00	1.614
19/38	18.00	0.709	19.50	0.768	19.40	0.764	17.00	0.669	44/88	43.00	1.693	44.50	1.752	44.40	1.748	42.00	1.654
20/40	19.00	0.748	20.50	0.807	20.40	0.803	18.00	0.709	45/90	44.00	1.732	45.50	1.791	45.40	1.787	43.00	1.693
21/42	20.00	0.787	21.50	0.846	21.40	0.843	19.00	0.748	46/92	45.00	1.772	46.50	1.831	46.40	1.827	44.00	1.732
22/44	21.00	0.827	22.50	0.886	22.40	0.882	20.00	0.787	47/94	46.00	1.811	47.50	1.870	47.40	1.866	45.00	1.772
23/46	22.00	0.866	23.50	0.925	23.40	0.921	21.00	0.827	48/96	47.00	1.850	48.50	1.909	48.40	1.906	46.00	1.811
24/48	23.00	0.906	24.50	0.965	24.40	0.961	22.00	0.866	49/98	48.00	1.890	49.50	1.949	49.40	1.945	47.00	1.850
25/50	24.00	0.945	25.50	1.004	25.40	1.000	23.00	0.906	50/100	49.00	1.929	50.50	1.988	50.40	1.984	48.00	1.890
26/52	25.00	0.984	26.50	1.043	26.40	1.039	24.00	0.945									

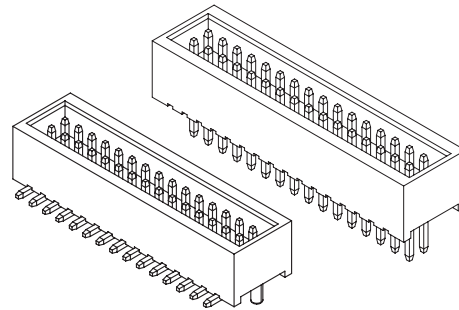
* Position 2 not available with guide posts on SFM210 Series (Termination Type SP).

1.00 mm [.039"] Contact Centers, Shrouded (Box) Headers Straight/SMT

Mates with SFM series

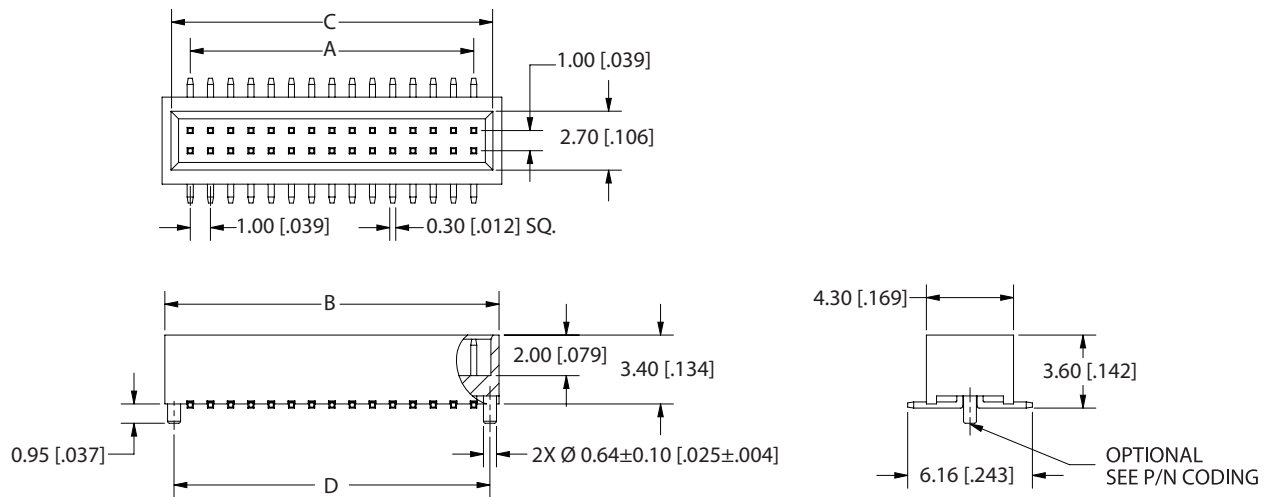
SPECIFICATIONS

- Insulator Material: LCP
- Contact Material: Phosphor Bronze
- Operating Temperature: -40°C to +125°C
- Processing Temperature: 230°C Max. for 60 seconds,
(260°C Max. for 10 seconds)
- UL Flammability Rating: 94V-0
- Contact Resistance: 20 milli Ohms Max.
- Current Rating: 1 Amp
- Dielectric Withstanding Voltage: 300 VAC
- Insulation Resistance: 1000 Megohms Min.

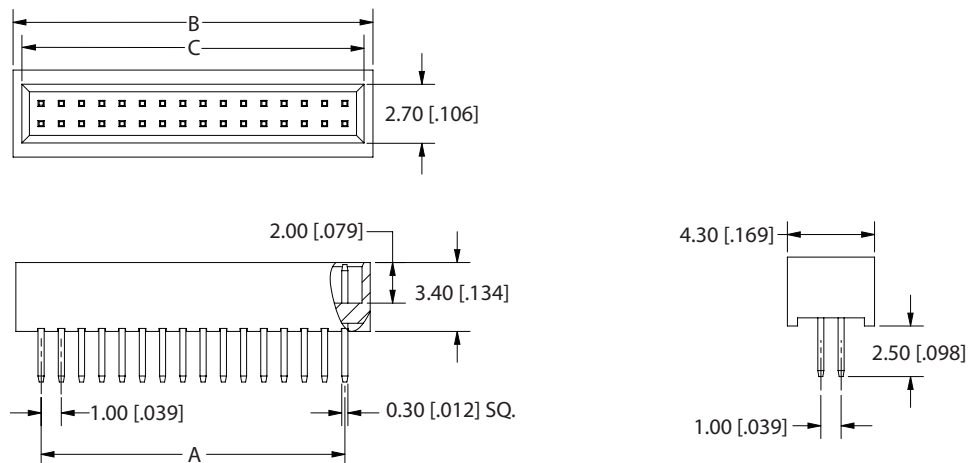


DIMENSIONS For complete drawings, go to www.sullincorp.com or e-mail techsupport@sullincorp.com
Dimensions in [] are in inches, all others are in millimeters.

SURFACE MOUNT (SP or SM)



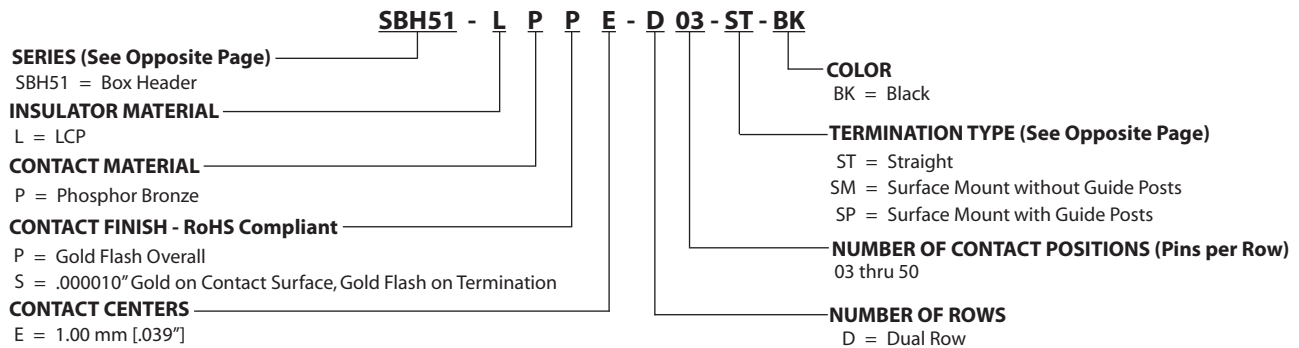
STRAIGHT (ST)



1.00 mm [.039"] Contact Centers, Shrouded (Box) Headers, Straight/SMT

Mates with SFM series

PART NUMBER OPTIONS

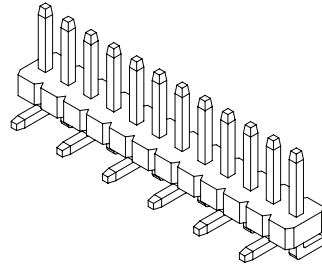


PART NUMBER	POSITIONS/ CONTACTS	A		B		C		D	
		mm	in	mm	in	mm	in	mm	in
SBH51-LP_E-D03-__-BK	03/06	2.00	0.079	4.50	0.177	3.70	0.146	3.60	0.142
SBH51-LP_E-D04-__-BK	04/08	3.00	0.118	5.50	0.217	4.70	0.185	4.60	0.181
SBH51-LP_E-D05-__-BK	05/10	4.00	0.157	6.50	0.256	5.70	0.224	5.60	0.220
SBH51-LP_E-D06-__-BK	06/12	5.00	0.197	7.50	0.295	6.70	0.264	6.60	0.260
SBH51-LP_E-D07-__-BK	07/14	6.00	0.236	8.50	0.335	7.70	0.303	7.60	0.299
SBH51-LP_E-D08-__-BK	08/16	7.00	0.276	9.50	0.374	8.70	0.343	8.60	0.339
SBH51-LP_E-D09-__-BK	09/18	8.00	0.315	10.50	0.413	9.70	0.382	9.60	0.378
SBH51-LP_E-D10-__-BK	10/20	9.00	0.354	11.50	0.453	10.70	0.421	10.60	0.417
SBH51-LP_E-D11-__-BK	11/22	10.00	0.394	12.50	0.492	11.70	0.461	11.60	0.457
SBH51-LP_E-D12-__-BK	12/24	11.00	0.433	13.50	0.531	12.70	0.500	12.60	0.496
SBH51-LP_E-D13-__-BK	13/26	12.00	0.472	14.50	0.571	13.70	0.539	13.60	0.535
SBH51-LP_E-D14-__-BK	14/28	13.00	0.512	15.50	0.610	14.70	0.579	14.60	0.575
SBH51-LP_E-D15-__-BK	15/30	14.00	0.551	16.50	0.650	15.70	0.618	15.60	0.614
SBH51-LP_E-D16-__-BK	16/32	15.00	0.591	17.50	0.689	16.70	0.657	16.60	0.654
SBH51-LP_E-D17-__-BK	17/34	16.00	0.630	18.50	0.728	17.70	0.697	17.60	0.693
SBH51-LP_E-D18-__-BK	18/36	17.00	0.669	19.50	0.768	18.70	0.736	18.60	0.732
SBH51-LP_E-D19-__-BK	19/38	18.00	0.709	20.50	0.807	19.70	0.776	19.60	0.772
SBH51-LP_E-D20-__-BK	20/40	19.00	0.748	21.50	0.846	20.70	0.815	20.60	0.811
SBH51-LP_E-D21-__-BK	21/42	20.00	0.787	22.50	0.886	21.70	0.854	21.60	0.850
SBH51-LP_E-D22-__-BK	22/44	21.00	0.827	23.50	0.925	22.70	0.894	22.60	0.890
SBH51-LP_E-D23-__-BK	23/46	22.00	0.866	24.50	0.965	23.70	0.933	23.60	0.929
SBH51-LP_E-D24-__-BK	24/48	23.00	0.906	25.50	1.004	24.70	0.972	24.60	0.969
SBH51-LP_E-D25-__-BK	25/50	24.00	0.945	26.50	1.043	25.70	1.012	25.60	1.008
SBH51-LP_E-D26-__-BK	26/52	25.00	0.984	27.50	1.083	26.70	1.051	26.60	1.047
SBH51-LP_E-D27-__-BK	27/54	26.00	1.024	28.50	1.122	27.70	1.091	27.60	1.087
SBH51-LP_E-D28-__-BK	28/56	27.00	1.063	29.50	1.161	28.70	1.130	28.60	1.126
SBH51-LP_E-D29-__-BK	29/58	28.00	1.102	30.50	1.201	29.70	1.169	29.60	1.165
SBH51-LP_E-D30-__-BK	30/60	29.00	1.142	31.50	1.240	30.70	1.209	30.60	1.205
SBH51-LP_E-D31-__-BK	31/62	30.00	1.181	32.50	1.280	31.70	1.248	31.60	1.244
SBH51-LP_E-D32-__-BK	32/64	31.00	1.220	33.50	1.319	32.70	1.287	32.60	1.283
SBH51-LP_E-D33-__-BK	33/66	32.00	1.260	34.50	1.358	33.70	1.327	33.60	1.323
SBH51-LP_E-D34-__-BK	34/68	33.00	1.299	35.50	1.398	34.70	1.366	34.60	1.362
SBH51-LP_E-D35-__-BK	35/70	34.00	1.339	36.50	1.437	35.70	1.406	35.60	1.402
SBH51-LP_E-D36-__-BK	36/72	35.00	1.378	37.50	1.476	36.70	1.445	36.60	1.441
SBH51-LP_E-D37-__-BK	37/74	36.00	1.417	38.50	1.516	37.70	1.484	37.60	1.480
SBH51-LP_E-D38-__-BK	38/76	37.00	1.457	39.50	1.555	38.70	1.524	38.60	1.520
SBH51-LP_E-D39-__-BK	39/78	38.00	1.496	40.50	1.594	39.70	1.563	39.60	1.559
SBH51-LP_E-D40-__-BK	40/80	39.00	1.535	41.50	1.634	40.70	1.602	40.60	1.598
SBH51-LP_E-D41-__-BK	41/82	40.00	1.575	42.50	1.673	41.70	1.642	41.60	1.638
SBH51-LP_E-D42-__-BK	42/84	41.00	1.614	43.50	1.713	42.70	1.681	42.60	1.677
SBH51-LP_E-D43-__-BK	43/86	42.00	1.654	44.50	1.752	43.70	1.720	43.60	1.717
SBH51-LP_E-D44-__-BK	44/88	43.00	1.693	45.50	1.791	44.70	1.760	44.60	1.756
SBH51-LP_E-D45-__-BK	45/90	44.00	1.732	46.50	1.831	45.70	1.799	45.60	1.795
SBH51-LP_E-D46-__-BK	46/92	45.00	1.772	47.50	1.870	46.70	1.839	46.60	1.835
SBH51-LP_E-D47-__-BK	47/94	46.00	1.811	48.50	1.909	47.70	1.878	47.60	1.874
SBH51-LP_E-D48-__-BK	48/96	47.00	1.850	49.50	1.949	48.70	1.917	48.60	1.913
SBH51-LP_E-D49-__-BK	49/98	48.00	1.890	50.50	1.988	49.70	1.957	49.60	1.953
SBH51-LP_E-D50-__-BK	50/100	49.00	1.929	51.50	2.028	50.70	1.996	50.60	1.992

.050" [1.27 mm] Contact Centers, Male Headers, Straight/Right Angle/SMT

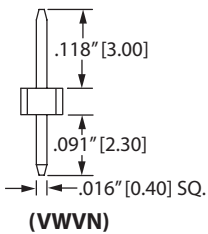
SPECIFICATIONS

- Insulator Material: Nylon
- Contact Material: Brass
- Plating: Gold Flash Overall
- 1 Amp current rating
- UL Flammability Rating: 94V-0
- Stacker Options available - Consult factory

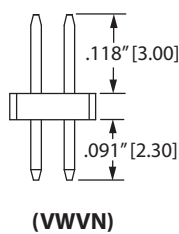


TERMINATION TYPE

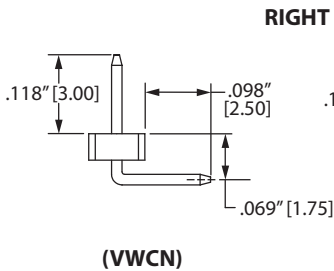
SINGLE READOUT



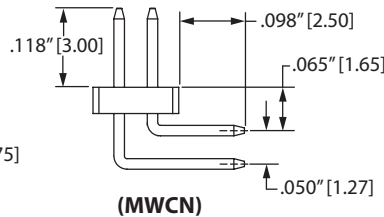
DUAL READOUT



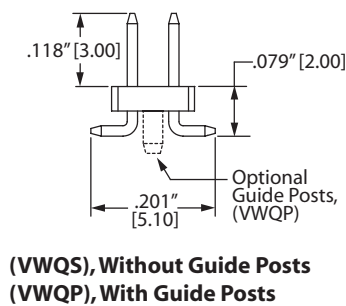
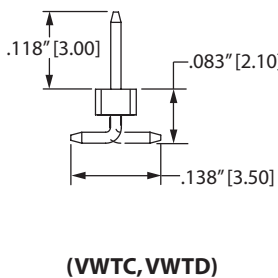
STRAIGHT



RIGHT ANGLE

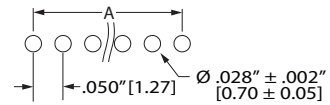


SURFACE MOUNT (SMT)

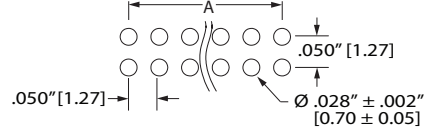


PCB LAYOUT

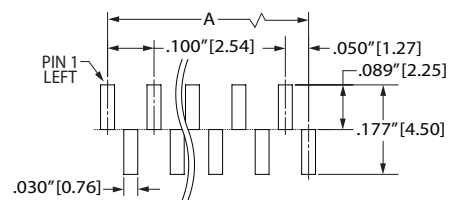
STRAIGHT (VWV) RIGHT ANGLE (VWC)



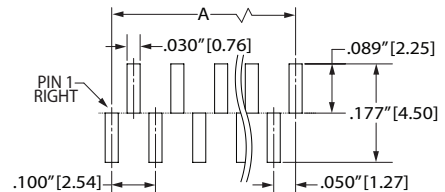
STRAIGHT (VWV) RIGHT ANGLE (MWC)



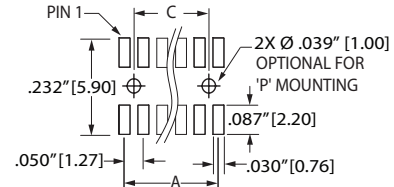
SURFACE MOUNT PIN 1 LEFT (VWTC) STANDARD



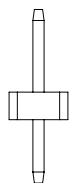
PIN 1 RIGHT (VWTD)



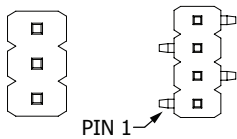
(VWQ)



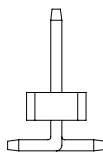
MOUNTING STYLE



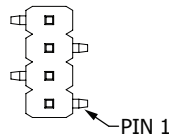
No Mounting, (N)



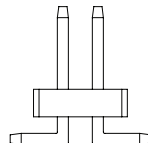
SMT, Pin 1 Left (C)
Standard



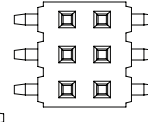
SMT



SMT, Pin 1 Right (D)
Only Even Positions



SMT, Without Guide Posts (S)



SMT, With Guide Posts (P)

.050" [1.27 mm] Contact Centers, Male Headers, Straight/Right Angle/SMT

PART NUMBER OPTIONS

G R P B xx 1 VVW N - RC

INSULATOR MATERIAL
G = Nylon

CONTACT MATERIAL
R = Brass

CONTACT FINISH - RoHS Compliant
P = Gold Flash Overall

CONTACT CENTERS
B = .050" [1.27 mm]

NUMBER OF POSITIONS
Positions Available Termination
2 Thru 50 = VWC, VWQ, VWT, VVW
1 Thru 50 = MWC

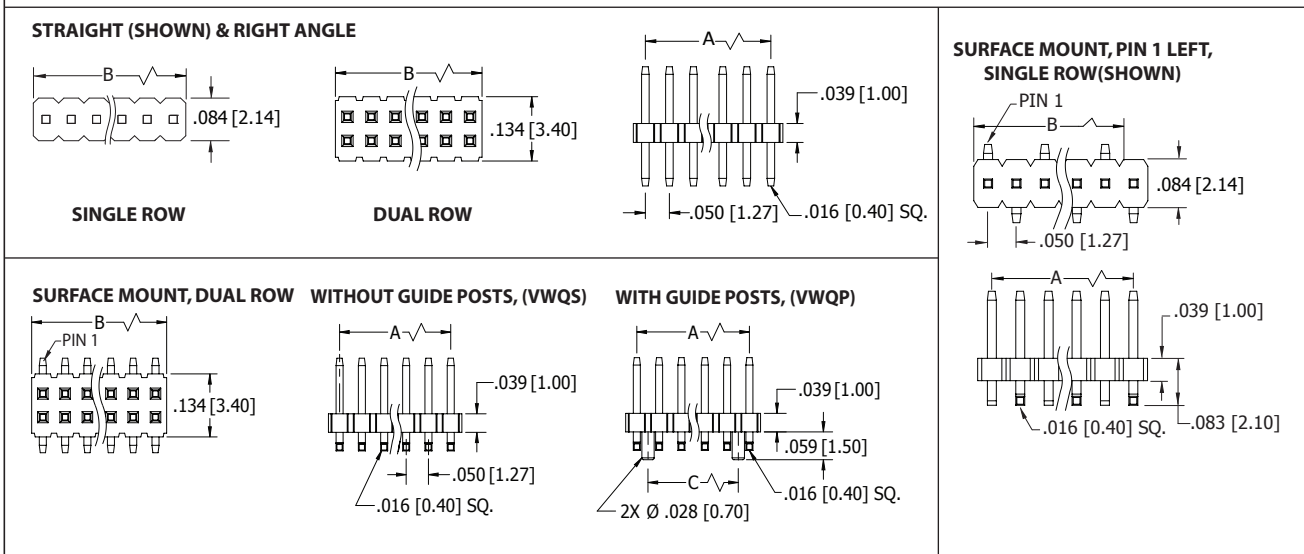
RoHS COMPLIANT
Consult Factory For Modifications

MOUNTING STYLE
N = No Mounting
C = Surface Mount, Pin 1 Left (Single Row Only)
D = Surface Mount, Pin 1 Right (Single Row on Even Positions Only)
S = Surface Mount without Guide Pins (Dual Row Only)
P = Surface Mount with Guide Posts (Dual Row Only)

TERMINATION TYPE (Opposite Page)
VVW, VWC, MWC, VWT, VWQ

NUMBER OF ROWS
1 = Single Row
2 = Dual Row

DIMENSIONS Dimensions in [] are in millimeters, all others are in inches.

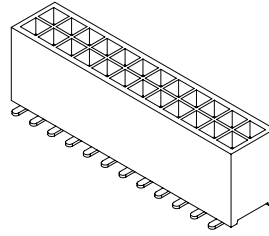


POSITIONS	NUMBER OF CONTACTS SINGLE/DUAL	A		B		C		POSITIONS	NUMBER OF CONTACTS SINGLE/DUAL	A		B		C	
		in	mm	in	mm	in	mm			in	mm	in	mm	in	mm
01	01/02	N/A	N/A	.050	1.27	N/A		26	26/52	1.250	31.75	1.300	33.02	1.200	30.48
02	02/04	.050	1.27	.100	2.54	N/A		27	27/54	1.300	33.02	1.350	34.29	1.250	31.75
03	03/06	.100	2.54	.150	3.81	.050	1.27	28	28/56	1.350	34.29	1.400	35.56	1.300	33.02
04	04/08	.150	3.81	.200	5.08	.100	2.54	29	29/58	1.400	35.56	1.450	36.83	1.350	34.29
05	05/10	.200	5.08	.250	6.35	.150	3.81	30	30/60	1.450	36.83	1.500	38.10	1.400	35.56
06	06/12	.250	6.35	.300	7.62	.200	5.08	31	31/62	1.500	38.10	1.550	39.37	1.450	36.83
07	07/14	.300	7.62	.350	8.89	.250	6.35	32	32/64	1.550	39.37	1.600	40.64	1.500	38.10
08	08/16	.350	8.89	.400	10.16	.300	7.62	33	33/66	1.600	40.64	1.650	41.91	1.550	39.37
09	09/18	.400	10.16	.450	11.43	.350	8.89	34	34/68	1.650	41.91	1.700	43.18	1.600	40.64
10	10/20	.450	11.43	.500	12.70	.400	10.16	35	35/70	1.700	43.18	1.750	44.45	1.650	41.91
11	11/22	.500	12.70	.550	13.97	.450	11.43	36	36/72	1.750	44.45	1.800	45.72	1.700	43.18
12	12/24	.550	13.97	.600	15.24	.500	12.70	37	37/74	1.800	45.72	1.850	46.99	1.750	44.45
13	13/26	.600	15.24	.650	16.51	.550	13.97	38	38/76	1.850	46.99	1.900	48.26	1.800	45.72
14	14/28	.650	16.51	.700	17.78	.600	15.24	39	39/78	1.900	48.26	1.950	49.53	1.850	46.99
15	15/30	.700	17.78	.750	19.05	.650	16.51	40	40/80	1.950	49.53	2.000	50.80	1.900	48.26
16	16/32	.750	19.05	.800	20.32	.700	17.78	41	41/82	2.000	50.80	2.050	52.07	1.950	49.53
17	17/34	.800	20.32	.850	21.59	.750	19.05	42	42/84	2.050	52.07	2.100	53.34	2.000	50.80
18	18/36	.850	21.59	.900	22.86	.800	20.32	43	43/86	2.100	53.34	2.150	54.61	2.050	52.07
19	19/38	.900	22.86	.950	24.13	.850	21.59	44	44/88	2.150	54.61	2.200	55.88	2.100	53.34
20	20/40	.950	24.13	1.000	25.40	.900	22.86	45	45/90	2.200	55.88	2.250	57.15	2.150	54.61
21	21/42	1.000	25.40	1.050	26.67	.950	24.13	46	46/92	2.250	57.15	2.300	58.42	2.200	55.88
22	22/44	1.050	26.67	1.100	27.94	1.000	25.40	47	47/94	2.300	58.42	2.350	59.69	2.250	57.15
23	23/46	1.100	27.94	1.150	29.21	1.050	26.67	48	48/96	2.350	59.69	2.400	60.96	2.300	58.42
24	24/48	1.150	29.21	1.200	30.48	1.100	27.94	49	49/98	2.400	60.96	2.450	62.23	2.350	59.69
25	25/50	1.200	30.48	1.250	31.75	1.150	29.21	50	50/100	2.450	62.23	2.500	63.50	2.400	60.96

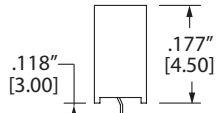
.050" [1.27 mm] Contact Centers, Female Headers, Straight/Right Angle/SMT

SPECIFICATIONS

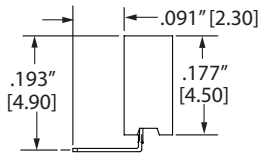
- Insulator Material: LCP
- Contact Material: Phosphor Bronze
- Plating: Gold Flash Overall
- 1 Amp current rating
- UL Flammability Rating: 94V-0



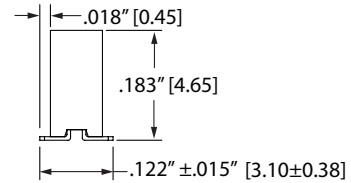
TERMINATION TYPE



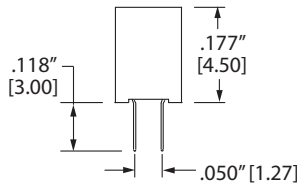
SINGLE ROW, STRAIGHT (NFFN)



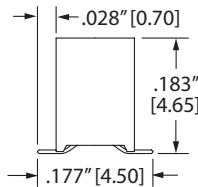
SINGLE ROW, RIGHT ANGLE (NGCN)



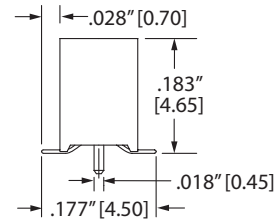
SINGLE ROW, SMT (NFSC, NFSD)



DUAL ROW, STRAIGHT (CFFN)

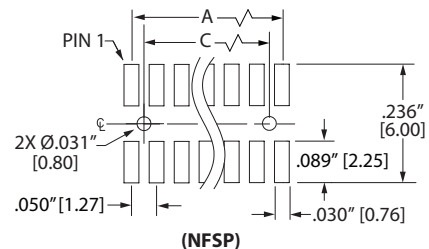
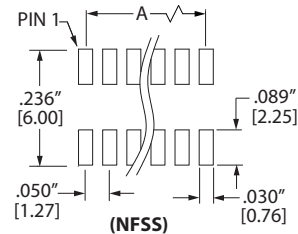
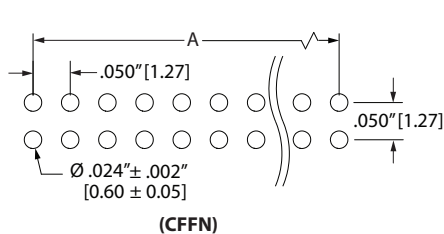
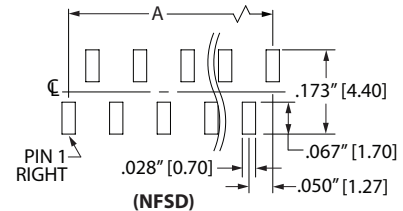
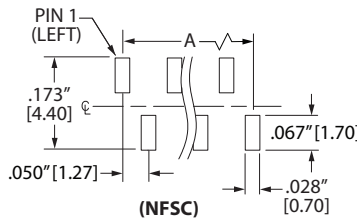
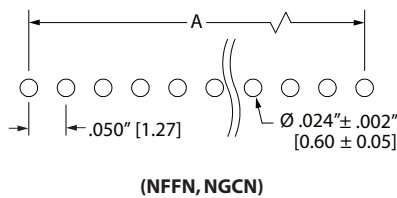


DUAL ROW, SMT Without Guide Posts (NFSS)

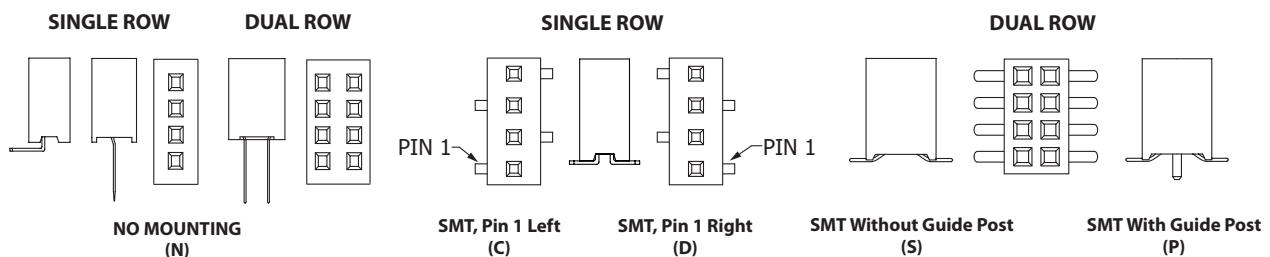


DUAL ROW, SMT With Guide Posts (NFSP)

PCB LAYOUT



MOUNTING STYLE



.050" [1.27 mm] Contact Centers, Female Headers, Straight/Right Angle/SMT

PART NUMBER OPTIONS

INSULATOR MATERIAL
L = LCP

CONTACT MATERIAL
P = Phosphor Bronze

CONTACT FINISH - RoHS Compliant
P = Gold Flash Overall

CONTACT CENTERS
B = .050" [1.27 mm]

NUMBER OF POSITIONS
Positions Available Termination
2 Thru 50 = NFFN, NGCN, NFSC, NFSD, Single Row
2 Thru 50 = CFFN, NFSS, Dual Row
3 Thru 50 = NFSP, Dual Row

RoHS COMPLIANT
Consult Factory For Modifications

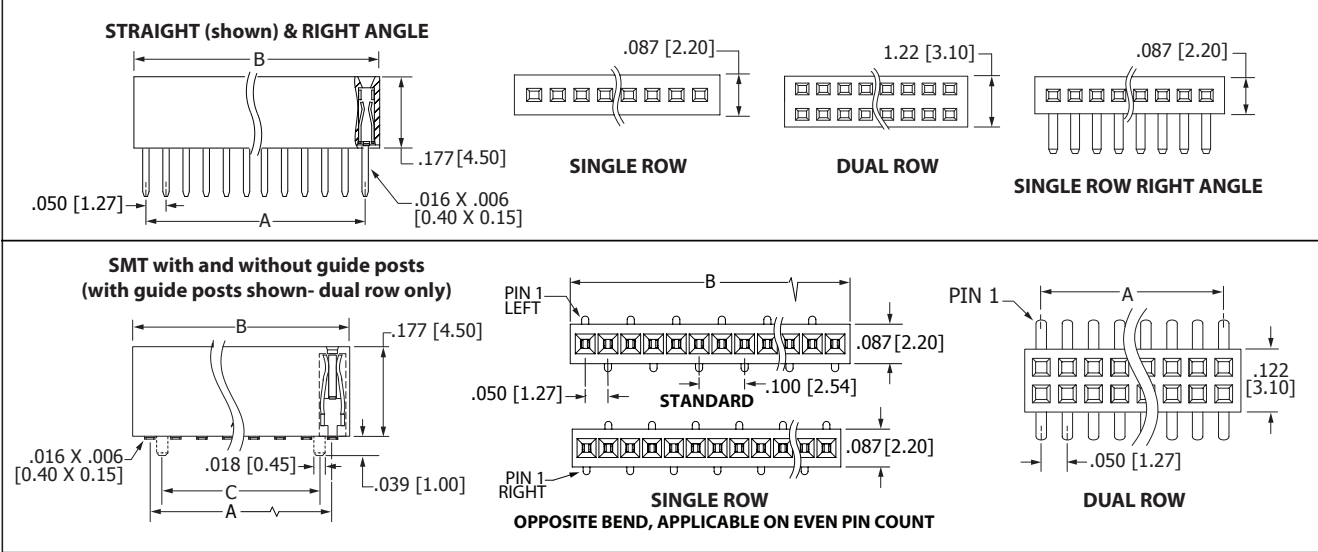
MOUNTING STYLE
N = No Mounting
C = Surface Mount, Pin 1 Left (Single Row Only)
D = Surface Mount, Pin 1 Right (Single Row Only)
S = Surface Mount without Guide Posts (Dual Row Only)
P = Surface Mount with Guide Posts (Dual Row Only)

TERMINATION TYPE (See Opposite Page)
NFF, CFF, NGC, NFS

NUMBER OF ROWS
1 = Single Row
2 = Dual Row

Part Number Example: L P P B xx 1 NFF N - RC

DIMENSIONS Dimensions in [] are in millimeters, all others are in inches.



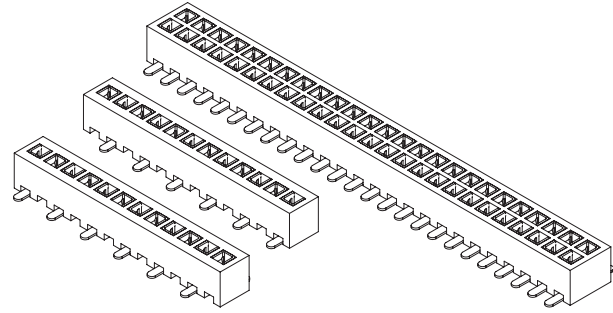
POSITIONS	NUMBER OF CONTACTS SINGLE/DUAL	A		B		C		POSITIONS	NUMBER OF CONTACTS SINGLE/DUAL	A		B		C	
		in	mm	in	mm	in	mm			in	mm	in	mm	in	mm
02	2/4	.050	1.27	0.116	2.94	N/A		27	27/54	1.300	33.02	1.366	34.69	1.250	31.75
03	3/6	.100	2.54	0.166	4.21	.050	1.27	28	28/56	1.350	34.29	1.416	35.96	1.300	33.02
04	4/8	.150	3.81	0.216	5.48	.100	2.54	29	29/58	1.400	35.56	1.466	37.23	1.350	34.29
05	5/10	.200	5.08	0.266	6.75	.150	3.81	30	30/60	1.450	36.83	1.516	38.50	1.400	35.56
06	6/12	.250	6.35	0.316	8.02	.200	5.08	31	31/62	1.500	38.10	1.566	39.77	1.450	36.83
07	7/14	.300	7.62	0.366	9.29	.250	6.35	32	32/64	1.550	39.37	1.616	41.04	1.500	38.10
08	8/16	.350	8.89	0.416	10.56	.300	7.62	33	33/66	1.600	40.64	1.666	42.31	1.550	39.37
09	9/18	.400	10.16	0.466	11.83	.350	8.89	34	34/68	1.650	41.91	1.716	43.58	1.600	40.64
10	10/20	.450	11.43	0.516	13.10	.400	10.16	35	35/70	1.700	43.18	1.766	44.85	1.650	41.91
11	11/22	.500	12.70	0.566	14.37	.450	11.43	36	36/72	1.750	44.45	1.816	46.12	1.700	43.18
12	12/24	.550	13.97	0.616	15.64	.500	12.70	37	37/74	1.800	45.72	1.866	47.39	1.750	44.45
13	13/26	.600	15.24	0.666	16.91	.550	13.97	38	38/76	1.850	46.99	1.916	48.66	1.800	45.72
14	14/28	.650	16.51	0.716	18.18	.600	15.24	39	39/78	1.900	48.26	1.966	49.93	1.850	46.99
15	15/30	.700	17.78	0.766	19.45	.650	16.51	40	40/80	1.950	49.53	2.016	51.20	1.900	48.26
16	16/32	.750	19.05	0.816	20.72	.700	17.78	41	41/82	2.000	50.80	2.066	52.47	1.950	49.53
17	17/34	.800	20.32	0.866	21.99	.750	19.05	42	42/84	2.050	52.07	2.116	53.74	2.000	50.80
18	18/36	.850	21.59	0.916	23.26	.800	20.32	43	43/86	2.100	53.34	2.166	55.01	2.050	52.07
19	19/38	.900	22.86	0.966	24.53	.850	21.59	44	44/88	2.150	54.61	2.216	56.28	2.100	53.34
20	20/40	.950	24.13	1.016	25.80	.900	22.86	45	45/90	2.200	55.88	2.266	57.55	2.150	54.61
21	21/42	1.000	25.40	1.066	27.07	.950	24.13	46	46/92	2.250	57.15	2.316	58.82	2.200	55.88
22	22/44	1.050	26.67	1.116	28.34	1.000	25.40	47	47/94	2.300	58.42	2.366	60.09	2.250	57.15
23	23/46	1.100	27.94	1.166	29.61	1.050	26.67	48	48/96	2.350	59.69	2.416	61.36	2.300	58.42
24	24/48	1.150	29.21	1.216	30.88	1.100	27.94	49	49/98	2.400	60.96	2.466	62.63	2.350	59.69
25	25/50	1.200	30.48	1.266	32.15	1.150	29.21	50	50/100	2.450	62.23	2.516	63.90	2.400	60.96
26	26/52	1.250	31.75	1.316	33.42	1.200	30.48								

Headers

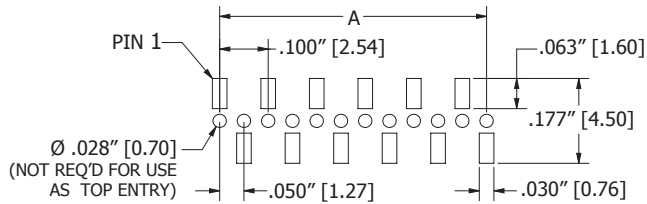
.050" [1.27 mm] Contact Centers, Top/Bottom Entry SMT Female Headers

SPECIFICATIONS

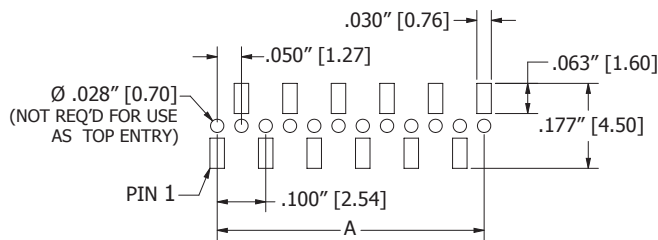
- Insulator Material: Nylon, UL 94V-0
- Contact Resistance: 20 milli Ohms Max.
- Current Rating: 1 Amp
- Dielectric Withstanding: 500 VAC
- Insulation Resistance: 5000 Megohms Min.
- Operating Temperature: -40°C to +105°C
- Processing Temperature: 230°C Max. for 60 seconds,
(260°C Max. for 10 seconds)



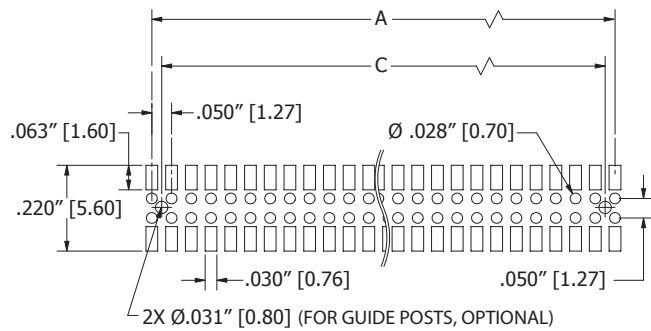
RECOMMENDED PCB LAYOUT



SFM230-NPPB-S__-SC -BK

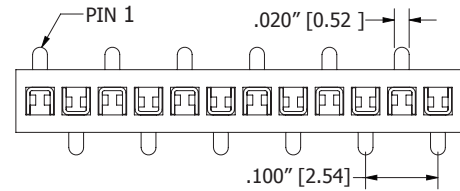


SFM230-NPPB-S__-SD -BK

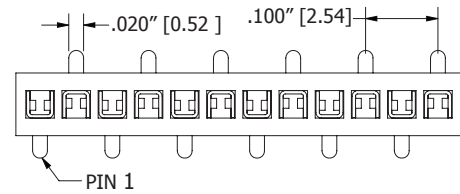


SFM230-NPPB-D__-S -BK

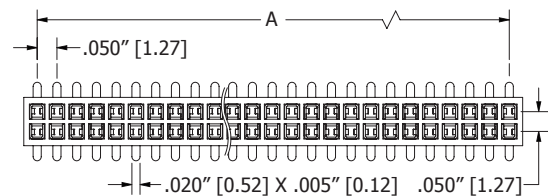
DIMENSIONS



SFM230-NPPB-S__-SC -BK
(STANDARD)



SFM230-NPPB-S__-SD -BK
(OPPOSITE BEND, APPLICABLE ON EVEN PIN COUNTS)



SFM230-NPPB-D__-S -BK

.050" [1.27 mm] Contact Centers, Top/Bottom Entry SMT Female Headers

PART NUMBER OPTIONS

SFM230 - N P P B - D 02 - SM - BK

SERIES — SFM230 = Female Header W/2.30 mm Insulator Height

INSULATOR MATERIAL — N = Nylon

CONTACT MATERIAL — P = Phosphor Bronze

CONTACT FINISH - RoHS Compliant — P = Gold Flash Overall

CONTACT CENTERS — B = .050" [1.27 mm]

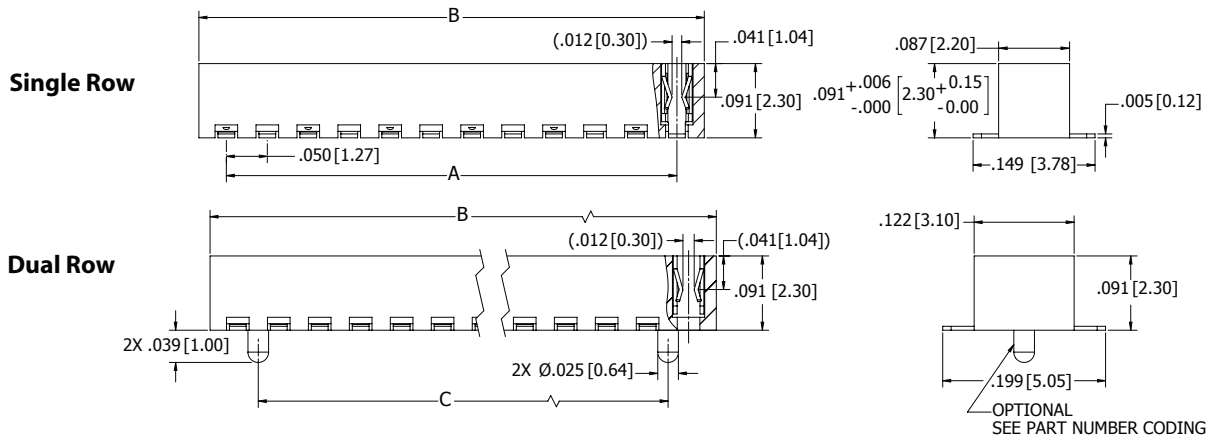
COLOR — BK = Black

TERMINATION TYPE (See Opposite Page)
 SC = Surface Mount, Standard (Single Row)
 SD = Surface Mount, Opposite Bend, Applicable on Even Pin Counts (Single Row)
 SM = Surface Mount without Guide Posts (Dual Row)
 SP = Surface Mount with Guide Posts (Dual Row)

NUMBER OF CONTACT POSITIONS
 (Contact Per Row, 02 thru 50)

NUMBER OF ROWS
 S = Single
 D = Dual

DIMENSIONS Dimensions in [] are in millimeters, all others are in inches.



NUMBER OF CONTACTS SINGLE/DUAL	A		B		C	
	in	mm	in	mm	in	mm
02/04*	0.050	1.27	0.118	2.99	N/A	
03/06	0.100	2.54	0.168	4.26	0.050	1.27
04/08	0.150	3.81	0.218	5.53	0.100	2.54
05/10	0.200	5.08	0.268	6.80	0.150	3.81
06/12	0.250	6.35	0.318	8.07	0.200	5.08
07/14	0.300	7.62	0.368	9.34	0.250	6.35
08/16	0.350	8.89	0.418	10.61	0.300	7.62
09/18	0.400	10.16	0.468	11.88	0.350	8.89
10/20	0.450	11.43	0.518	13.15	0.400	10.16
11/22	0.500	12.70	0.568	14.42	0.450	11.43
12/24	0.550	13.97	0.618	15.69	0.500	12.70
13/26	0.600	15.24	0.668	16.96	0.550	13.97
14/28	0.650	16.51	0.718	18.23	0.600	15.24
15/30	0.700	17.78	0.768	19.50	0.650	16.51
16/32	0.750	19.05	0.818	20.77	0.700	17.78
17/34	0.800	20.32	0.868	22.04	0.750	19.05
18/36	0.850	21.59	0.918	23.31	0.800	20.32
19/38	0.900	22.86	0.968	24.58	0.850	21.59
20/40	0.950	24.13	1.018	25.85	0.900	22.86
21/42	1.000	25.40	1.068	27.12	0.950	24.13
22/44	1.050	26.67	1.118	28.39	1.000	25.40
23/46	1.100	27.94	1.168	29.66	1.050	26.67
24/48	1.150	29.21	1.218	30.93	1.100	27.94
25/50	1.200	30.48	1.268	32.20	1.150	29.21
26/52	1.250	31.75	1.318	33.47	1.200	30.48

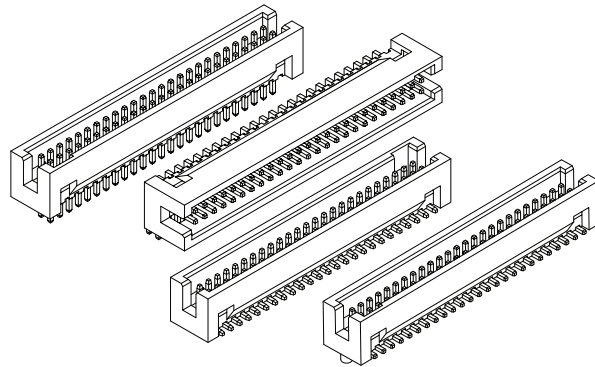
NUMBER OF CONTACTS SINGLE/DUAL	A		B		C	
	in	mm	in	mm	in	mm
27/54	1.300	33.02	1.368	34.74	1.250	31.75
28/56	1.350	34.29	1.418	36.01	1.300	33.02
29/58	1.400	35.56	1.468	37.28	1.350	34.29
30/60	1.450	36.83	1.518	38.55	1.400	35.56
31/62	1.500	38.10	1.568	39.82	1.450	36.83
32/64	1.550	39.37	1.618	41.09	1.500	38.10
33/66	1.600	40.64	1.668	42.36	1.550	39.37
34/68	1.650	41.91	1.718	43.63	1.600	40.64
35/70	1.700	43.18	1.768	44.90	1.650	41.91
36/72	1.750	44.45	1.818	46.17	1.700	43.18
37/74	1.800	45.72	1.868	47.44	1.750	44.45
38/76	1.850	46.99	1.918	48.71	1.800	45.72
39/78	1.900	48.26	1.968	49.98	1.850	46.99
40/80	1.950	49.53	2.018	51.25	1.900	48.26
41/82	2.000	50.80	2.068	52.52	1.950	49.53
42/84	2.050	52.07	2.118	53.79	2.000	50.80
43/86	2.100	53.34	2.168	55.06	2.050	52.07
44/88	2.150	54.61	2.218	56.33	2.100	53.34
45/90	2.200	55.88	2.268	57.60	2.150	54.61
46/92	2.250	57.15	2.318	58.87	2.200	55.88
47/94	2.300	58.42	2.368	60.14	2.250	57.15
48/96	2.350	59.69	2.418	61.41	2.300	58.42
49/98	2.400	60.96	2.468	62.68	2.350	59.69
50/100	2.450	62.23	2.518	63.95	2.400	60.96

* Not available with guide posts.

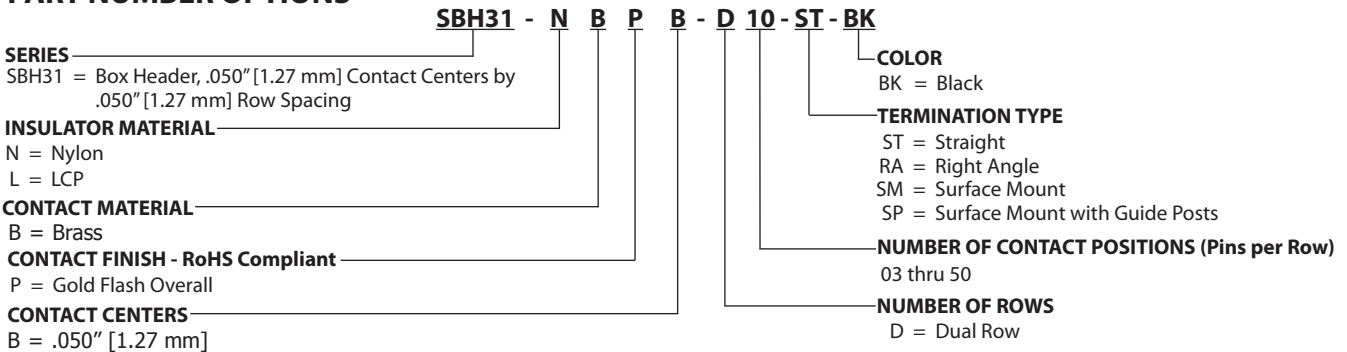
.050" [1.27 mm] Contact Centers, Shrouded (Box) Headers/Straight/Right Angle/SMT With or Without Post- SBH Series Mates with SFH31 series (See opposite page)

SPECIFICATIONS

- Polarizing Notch
- Operating Temperature: -40°C to +105°C
- Processing Temperature: 230°C Max. for 60 seconds, (260°C Max. for 10 seconds)
- UL Flammability Rating: 94V-0
- Contact Resistance: 20 milli Ohms Max.
- Current Rating: 1 Amp
- Dielectric Withstanding: 500 VAC
- Insulation Resistance: 5000 Megohms

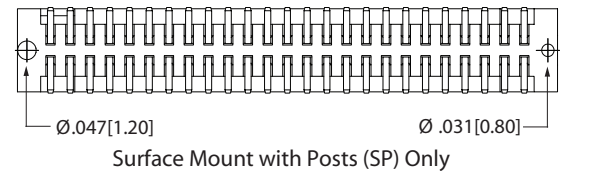
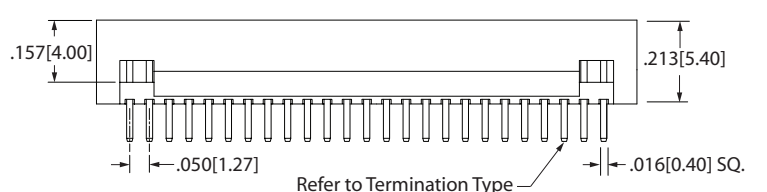
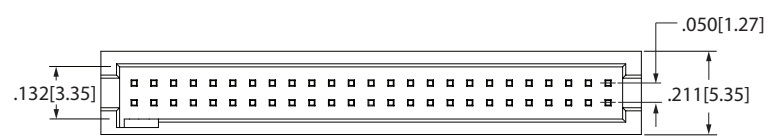
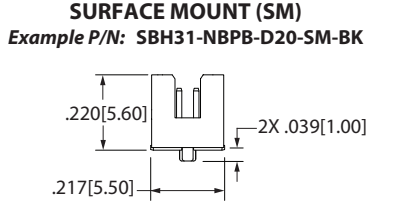
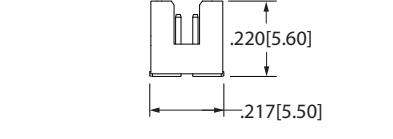
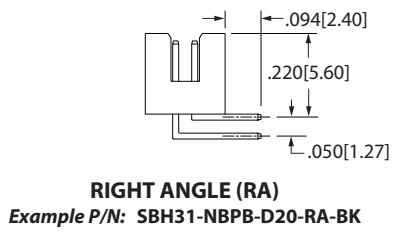
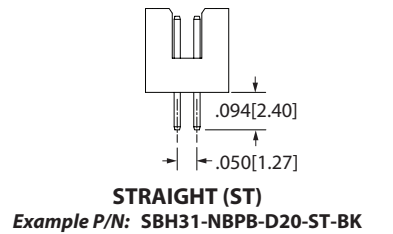


PART NUMBER OPTIONS



DIMENSIONS For complete drawings, go to www.sullinscorp.com or e-mail techsupport@sullinscorp.com

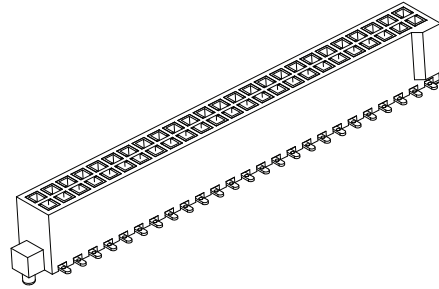
Dimensions in [] are in millimeters, all others are in inches.



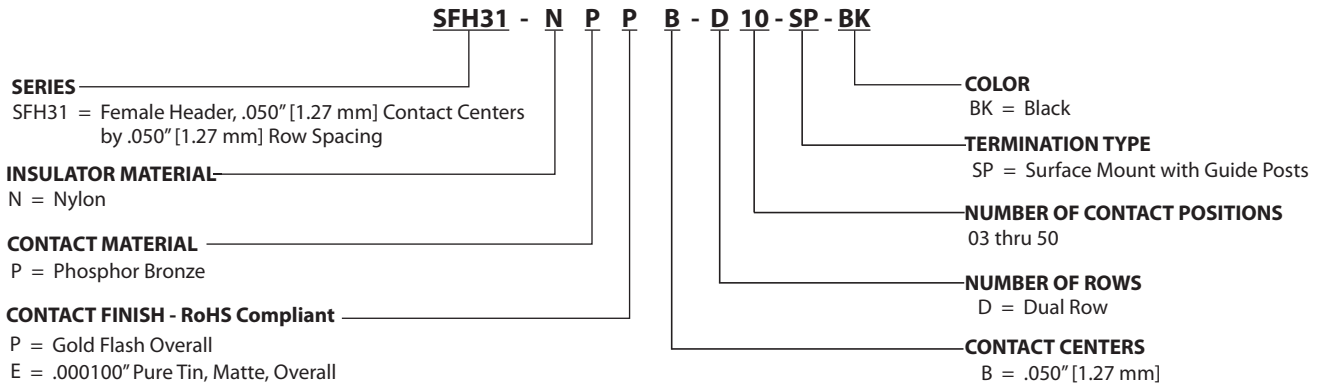
**.050" [1.27 mm] Contact Centers, Female Header, SMT with Posts- SFH Series
Mates with SBH31 series (See opposite page)**

SPECIFICATIONS

- Operating Temperature: -40°C to +105°C
- Processing Temperature: 230°C Max. for 60 seconds,
(260°C Max. for 10 seconds)
- UL Flammability Rating: 94V-0
- Contact Resistance: 20 milli Ohms Max.
- Current Rating: 1 Amp
- Dielectric Withstanding: 500 VAC
- Insulation Resistance: 5000 Megohms

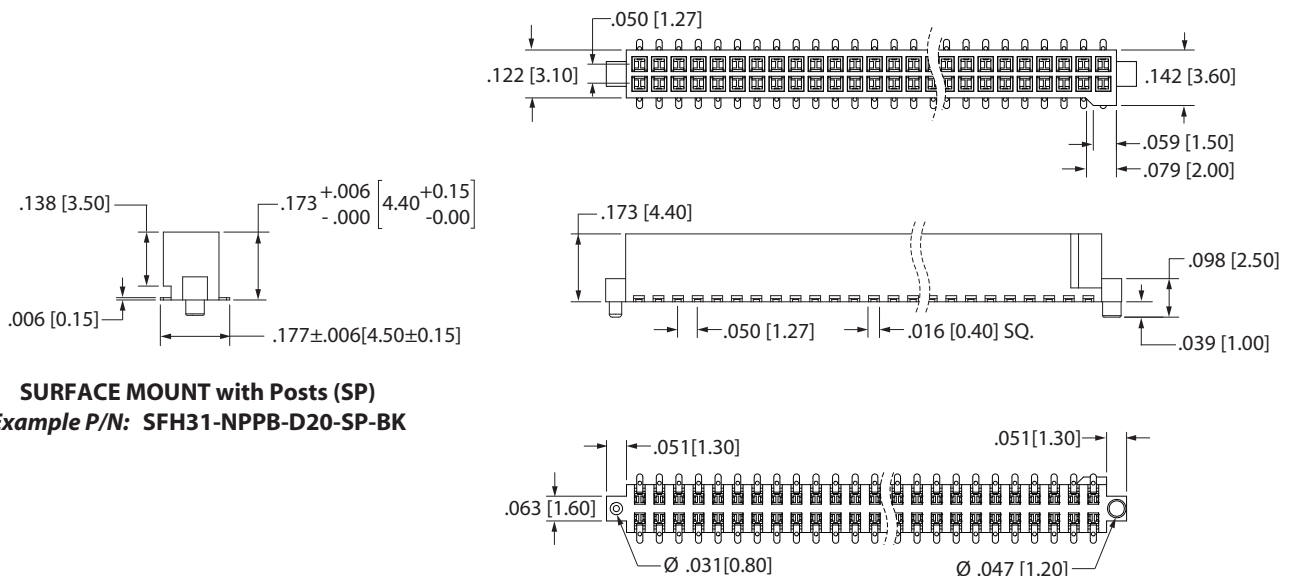


PART NUMBER OPTIONS



DIMENSIONS For complete drawings, go to www.sullinscorp.com or e-mail techsupport@sullinscorp.com

Dimensions in [] are in millimeters, all others are in inches.

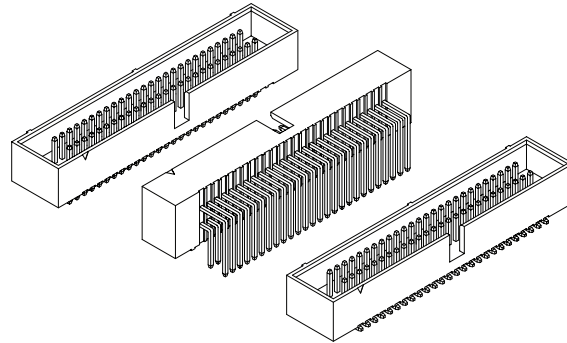


SURFACE MOUNT with Posts (SP)
Example P/N: SFH31-NPPB-D20-SP-BK

.050" [1.27 mm] Contact Centers Shrouded (Box) Headers, .100" [2.54 mm] Row Spacing Straight/Right Angle/SMT With or Without Post- SBH Series Mates with SFH41 series (See opposite page)

SPECIFICATIONS

- Centered Polarizing Notch
- Operating Temperature: -40°C to +105°C
- Processing Temperature: 230°C Max. for 60 seconds,
(260°C Max. for 10 seconds)
- UL Flammability Rating: 94V-0
- Contact Resistance: 20 milli Ohms Max.
- Current Rating: 1 Amp
- Dielectric Withstanding: 500 VAC
- Insulation Resistance: 5000 Megohms



PART NUMBER OPTIONS

SBH41 - N B P B - D 10 - ST - BK

SERIES _____
SBH41 = Box Header, .050" [1.27 mm] Contact Centers by
.100" [2.54 mm] Row Spacing

INSULATOR MATERIAL _____
N = Nylon

CONTACT MATERIAL _____
B = Brass

CONTACT FINISH - RoHS Compliant _____
P = Gold Flash Overall

CONTACT CENTERS _____
B = .050" [1.27 mm]

COLOR _____
BK = Black

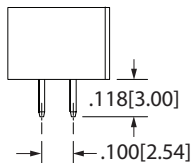
TERMINATION TYPE _____
ST = Straight
RA = Right Angle
SM = Surface Mount
SP = Surface Mount with Guide Posts

NUMBER OF CONTACT POSITIONS (Pins per Row) _____
05 thru 50

NUMBER OF ROWS _____
D = Dual Row

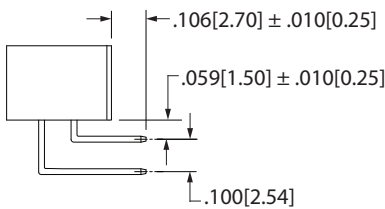
DIMENSIONS For complete drawings, go to www.sullincorp.com or e-mail techsupport@sullincorp.com

Dimensions in [] are in millimeters, all others are in inches.



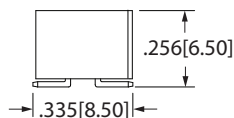
STRAIGHT (ST)

Example P/N: SBH41-NBPB-D20-ST-BK



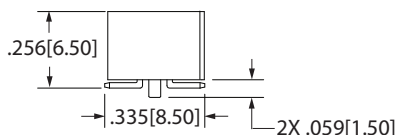
RIGHT ANGLE (RA)

Example P/N: SBH41-NBPB-D20-RA-BK



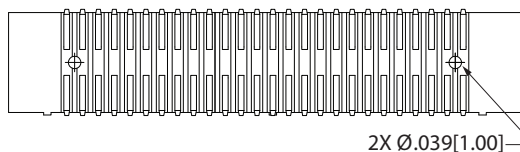
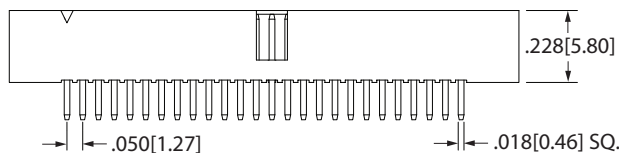
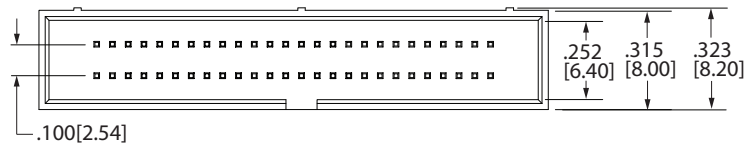
SURFACE MOUNT (SM)

Example P/N: SBH41-NBPB-D20-SM-BK



SURFACE MOUNT with Posts (SP)

Example P/N: SBH41-NBPB-D20-SP-BK

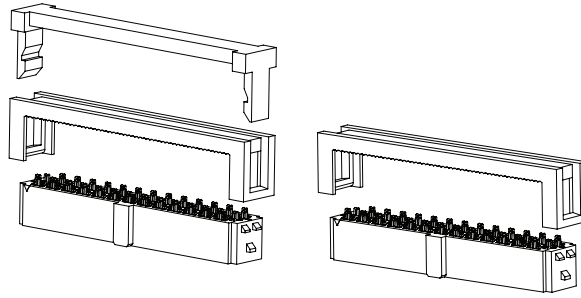


Surface Mount with Posts (SP) Only

**.050" [1.27 mm] Contact Centers, IDC Sockets, .100" [2.54 mm] Row Spacing
Insulation Displacement With or Without Strain Relief - SFH Series
Mates with SBH41 series (See opposite page)**

SPECIFICATIONS

- Centered Polarizing Key
- Operating Temperature: -40°C to +105°C
- UL Flammability Rating: 94V-0
- Contact Resistance: 30 Megohms Max.
- Current Rating: 1 Amp
- Dielectric Withstanding: 500 VAC
- Insulation Resistance: 1000 Megohms



PART NUMBER OPTIONS

SFH41 - P P P B - D 10 - ID - BK

SERIES
 SFH41 = IDC Socket Without Strain Relief, .050" [1.27 mm] Contact Centers by .100" [2.54 mm] Row Spacing
 SFH413 = IDC Socket With Strain Relief, .050" [1.27 mm] Contact Centers by .100" [2.54 mm] Row Spacing

INSULATOR MATERIAL
 P = PBT

CONTACT MATERIAL
 P = Phosphor Bronze

CONTACT FINISH - RoHS Compliant
 P = Gold Flash Overall
 E = .000100" Pure Tin, Matte, Overall
 V = Gold Flash on Contact Surface, Nickel on Termination

COLOR
 BK = Black

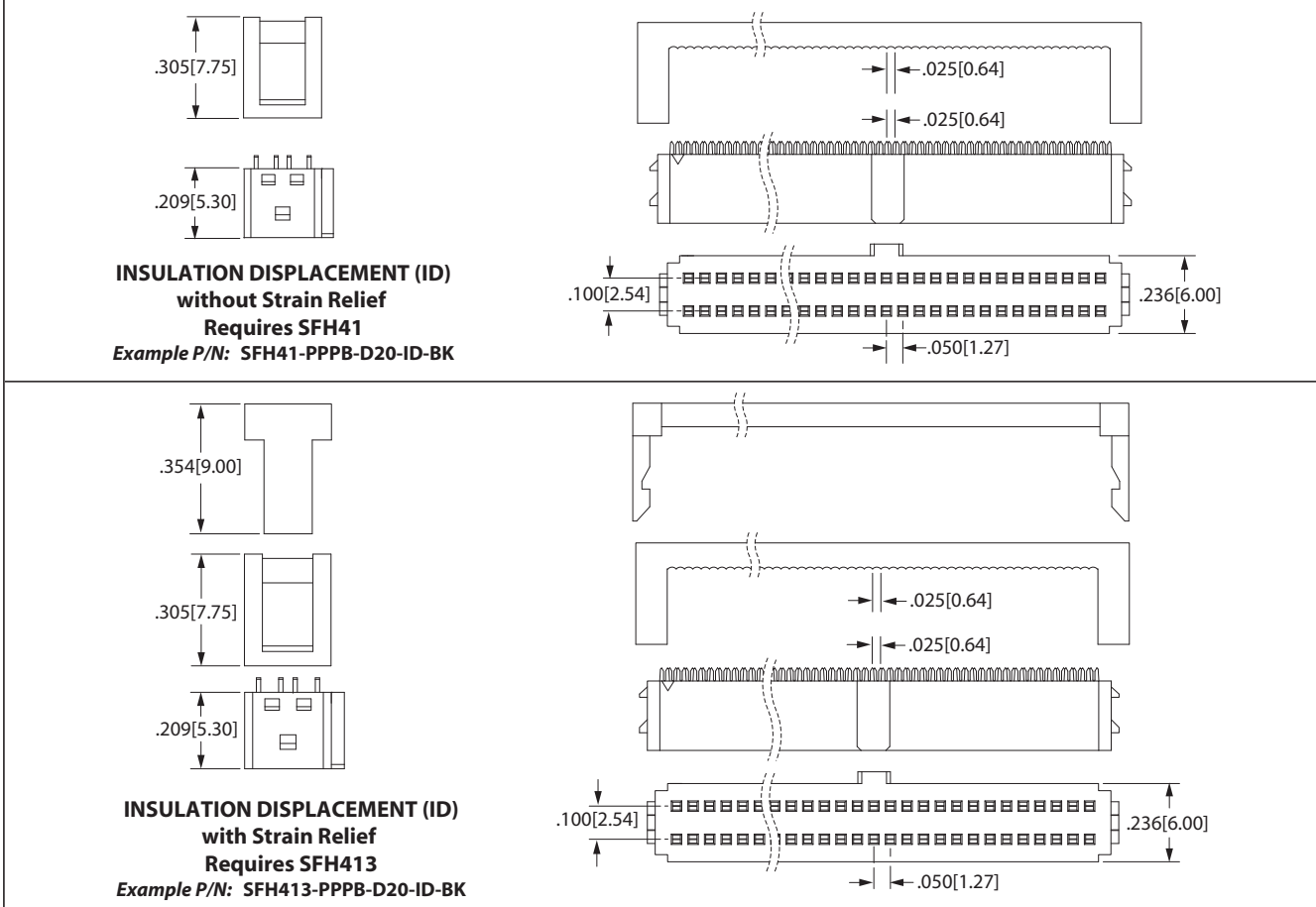
TERMINATION TYPE
 ID = Insulation Displacement

NUMBER OF CONTACT POSITIONS
 05, 08, 10, 13, 15, 17, 20, 25, 30, 34, 40, 50

NUMBER OF ROWS
 D = Dual Row

CONTACT CENTERS
 B = .050" [1.27 mm]

DIMENSIONS For complete drawings, go to www.sullinscorp.com or e-mail techsupport@sullinscorp.com
 Dimensions in [] are in millimeters, all others are in inches.

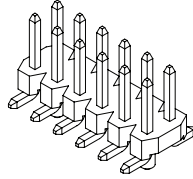


Headers

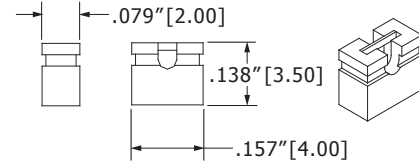
.079" [2.00 mm] Contact Centers, Male Headers, Straight/Right Angle/SMT

SPECIFICATIONS

- 2 Amps current rating
- UL Flammability Rating: 94V-0
- Insulator Material: Nylon
- Contact Material: Brass
- Stacker Options available - Consult Factory

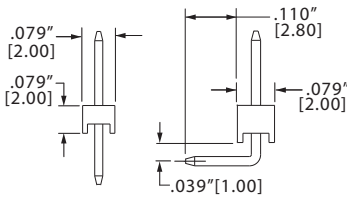


JUMPERS

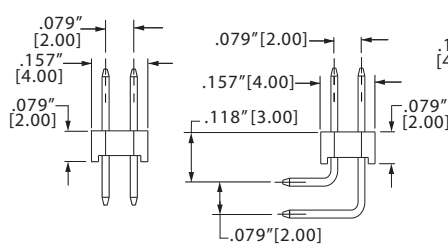


PART NUMBER:
SPN02SYBN-RC (GOLD FLASH)
STN02SYBN-RC (TIN PLATE)

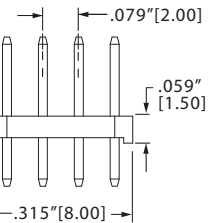
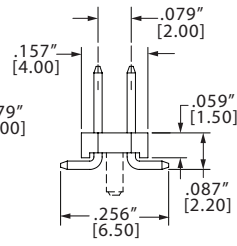
READOUT



SINGLE (1)

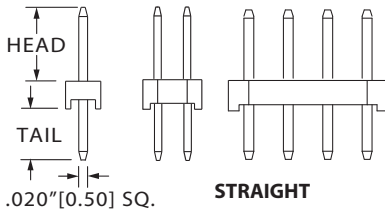


DUAL (2)

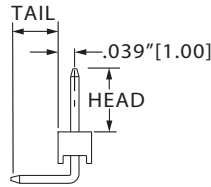


QUAD (4)

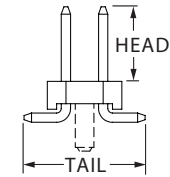
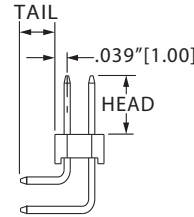
TERMINATION TYPE



STRAIGHT



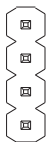
RIGHT ANGLE



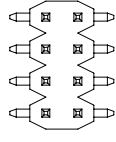
SMT

P/N CODE	ROWS	TERMINATION TYPE	HEAD	TAIL	P/N CODE	ROWS	TERMINATION TYPE	HEAD	TAIL	P/N CODE	ROWS	TERMINATION TYPE	HEAD	TAIL
PAE	1	STRAIGHT	.142" [3.60]	.110" [2.80]	PAR	1	RIGHT ANGLE	.142" [3.60]	.110" [2.80]					
PAE	2	STRAIGHT	.142" [3.60]	.110" [2.80]	PAR	2	RIGHT ANGLE	.142" [3.60]	.110" [2.80]	MAM	2	SMT	.142" [3.60]	.256" [6.50]
RCC	4	STRAIGHT	.173" [4.40]	.094" [2.40]										

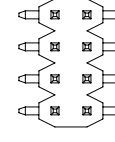
MOUNTING STYLE



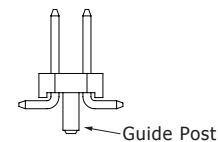
Straight or Right Angle (N)



Dual Row SMT, Without Guide Posts (S)



Dual Row SMT, With Guide Posts (P)



.079" [2.00 mm] Contact Centers, Male Headers, Straight/Right Angle/SMT

PART NUMBER OPTIONS

N R P N 40 1 PAE N -RC

INSULATOR MATERIAL
N = Nylon

CONTACTS
R = Brass

CONTACT FINISH - RoHS Compliant
P = Gold Flash Overall

CONTACT CENTERS
N = .079" [2.00 mm]

NUMBER OF POSITIONS
Positions Available Termination
2 Thru 40 = MAM, PAE, PAR
3 Thru 30 = RCC

RoHS COMPLIANT
Consult Factory For Modifications

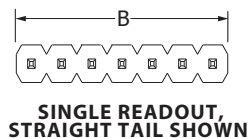
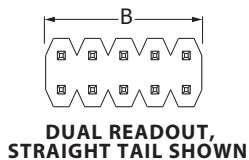
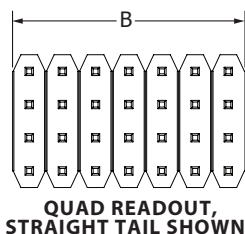
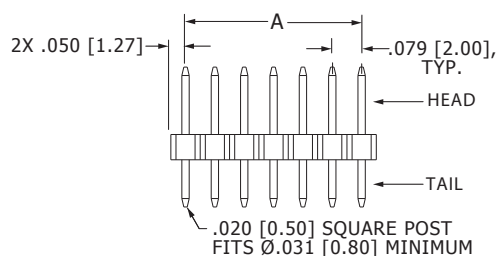
MOUNTING STYLE
N = No Mounting
P = Surface Mount with Guide Posts (Dual Row)
S = Surface Mount without Guide Posts (Dual Row)

TERMINATION TYPE
MAM, PAE, PAR, RCC

NUMBER OF ROWS
1 = One row
2 = Two rows
4 = Four rows

DIMENSIONS

Dimensions in [] are in millimeters, all others are in inches.

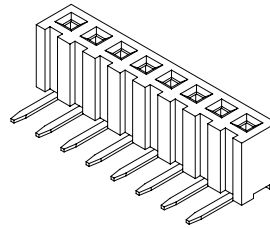


PART NUMBER	NUMBER OF CONTACTS SINGLE/DUAL/ QUAD	A		B	
		in	mm	in	mm
NRPN02 _____-RC	02/04	0.079	2.00	0.157	4.00
NRPN03 _____-RC	03/06/12	0.157	4.00	0.236	6.00
NRPN04 _____-RC	04/08/16	0.236	6.00	0.315	8.00
NRPN05 _____-RC	05/10/20	0.315	8.00	0.394	10.00
NRPN06 _____-RC	06/12/24	0.394	10.00	0.472	12.00
NRPN07 _____-RC	07/14/28	0.472	12.00	0.551	14.00
NRPN08 _____-RC	08/16/32	0.551	14.00	0.630	16.00
NRPN09 _____-RC	09/18/36	0.630	16.00	0.709	18.00
NRPN10 _____-RC	10/20/40	0.709	18.00	0.787	20.00
NRPN11 _____-RC	11/22/44	0.787	20.00	0.866	22.00
NRPN12 _____-RC	12/24/48	0.866	22.00	0.945	24.00
NRPN13 _____-RC	13/26/52	0.945	24.00	1.024	26.00
NRPN14 _____-RC	14/28/56	1.024	26.00	1.102	28.00
NRPN15 _____-RC	15/30/60	1.102	28.00	1.181	30.00
NRPN16 _____-RC	16/32/64	1.181	30.00	1.260	32.00
NRPN17 _____-RC	17/34/68	1.260	32.00	1.339	34.00
NRPN18 _____-RC	18/36/72	1.339	34.00	1.417	36.00
NRPN19 _____-RC	19/38/76	1.417	36.00	1.496	38.00
NRPN20 _____-RC	20/40/80	1.496	38.00	1.575	40.00
NRPN21 _____-RC	21/42/84	1.575	40.00	1.654	42.00
NRPN22 _____-RC	22/44/88	1.654	42.00	1.732	44.00
NRPN23 _____-RC	23/46/92	1.732	44.00	1.811	46.00
NRPN24 _____-RC	24/48/96	1.811	46.00	1.890	48.00
NRPN25 _____-RC	25/50/100	1.890	48.00	1.969	50.00
NRPN26 _____-RC	26/52/104	1.969	50.00	2.047	52.00
NRPN27 _____-RC	27/54/108	2.047	52.00	2.126	54.00
NRPN28 _____-RC	28/56/112	2.126	54.00	2.205	56.00
NRPN29 _____-RC	29/58/116	2.205	56.00	2.283	58.00
NRPN30 _____-RC	30/60/120	2.283	58.00	2.362	60.00
NRPN31 _____-RC	31/62	2.362	60.00	2.441	62.00
NRPN32 _____-RC	32/64	2.441	62.00	2.520	64.00
NRPN33 _____-RC	33/66	2.520	64.00	2.598	66.00
NRPN34 _____-RC	34/68	2.598	66.00	2.677	68.00
NRPN35 _____-RC	35/70	2.677	68.00	2.756	70.00
NRPN36 _____-RC	36/72	2.756	70.00	2.835	72.00
NRPN37 _____-RC	37/74	2.835	72.00	2.913	74.00
NRPN38 _____-RC	38/76	2.913	74.00	2.992	76.00
NRPN39 _____-RC	39/78	2.992	76.00	3.071	78.00
NRPN40 _____-RC	40/80	3.071	78.00	3.150	80.00

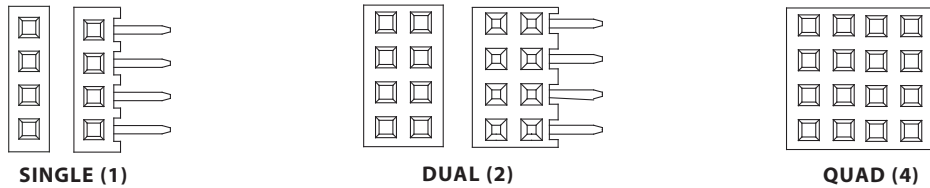
.079" [2.00 mm] Contact Centers, Female Headers, Straight/Right Angle/SMT

SPECIFICATIONS

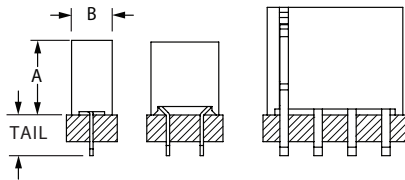
- 2 Amps current rating
- UL Flammability Rating: 94V-0
- Insulator Material: Black Nylon
- Contact Material: Phosphor Bronze



READOUT

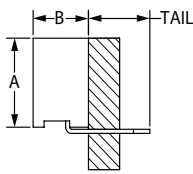


TERMINATION TYPE



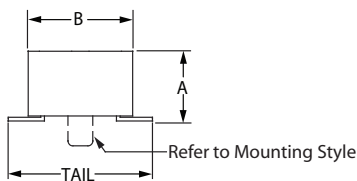
STRAIGHT

P/N CODE	ROWS	TERMINATION TYPE	A	B	TAIL
BFC	1	STRAIGHT	.173 [4.40]	.094 [2.40]	.094 [2.40]
AFC	2	STRAIGHT	.169 [4.30]	.157 [4.00]	.094 [2.40]
AFE	2	STRAIGHT	.169 [4.30]	.157 [4.00]	.110 [2.80]
EFC	4	STRAIGHT	.250 [6.35]	.315 [8.00]	.094 [2.40]



RIGHT ANGLE

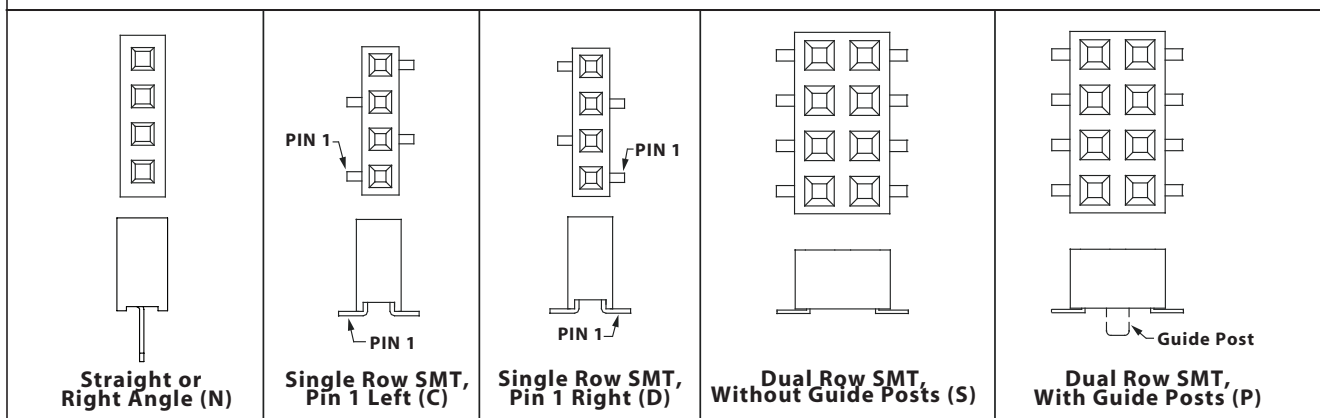
P/N CODE	ROWS	TERMINATION TYPE	A	B	TAIL
FGG	1	RIGHT ANGLE	.169 [4.30]	.110 [2.80]	.122 [3.10]
FJF	2	RIGHT ANGLE	.283 [7.20]	.191 [4.85]	.118 [3.00]



SMT

P/N CODE	ROWS	TERMINATION TYPE	A	B	TAIL
BFL	1	SMT	.181 [4.60]	.094 [2.40]	.157 [4.00]
BHL	1	SMT	.169 [4.30]	.094 [2.40]	.157 [4.00]
GFN	2	SMT	.110 [2.80]	.165 [4.20]	.228 [5.80]
GHN	Replaced by GFN				
FFK	2	SMT	.173 [4.40]	.157 [4.00]	.228 [5.80]

MOUNTING STYLE



.079" [2.00 mm] Contact Centers, Female Headers, Straight/Right Angle/SMT

PART NUMBER OPTIONS

MATERIALS (INSULATOR/CONTACT)
 NP = Nylon /Phosphor Bronze

CONTACT FINISH - RoHS Compliant

Contact Surface	Termination
P = Gold Flash	Gold Flash (For 1 and 2 Rows)
R = .000020" Gold	.000100" Tin (For 4 Rows)

Consult factory for other plating options.

CONTACT CENTERS
 N = .079" [2.00 mm]

NUMBER OF POSITIONS

Positions Available	Termination
2 Thru 40 = AFC, AFE, BFL, FFK, FGG, FJF, GFN	
3 Thru 40 = BFC, BHL	
5 Thru 30 = EFC	

NUMBER OF ROWS (Opposite Page)

1 = One Row
 2 = Two Rows
 4 = Four Rows

RoHS COMPLIANT
 Consult Factory For Modifications

MOUNTING STYLE

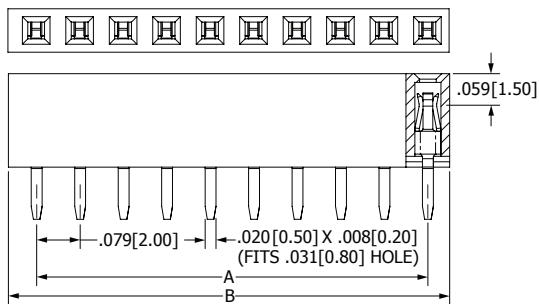
N = No Mounting
 C = SMT, Single row female, pin 1 Left
 D = SMT, Single row female, pin 1 Right
 P = Surface mount with guide Posts
 S = Surface mount without guide Posts

TERMINATION TYPE (Opposite Page)

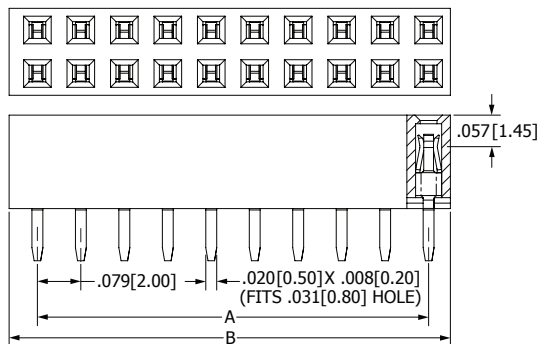
AFC = Thru Hole	Top Entry
AFE = Thru Hole	Top Entry/Closed Bottom
BFC = Thru Hole	Top Entry
EFC = Thru Hole	Top Entry
FGG = R/A	Top Entry
FJF = R/A	Top Entry
BFL = SMT	Top Entry
FFK = SMT	Top Entry
BHL, GFN = SMT	Top/Bottom Entry
GHN = SMT	Replaced by GFN

DIMENSIONS

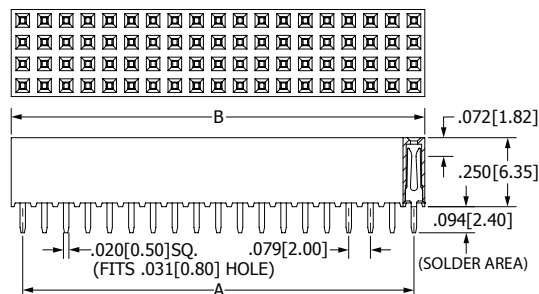
Dimensions in [] are in millimeters, all others are in inches.



**SINGLE READOUT,
STRAIGHT TAIL SHOWN**



**DUAL READOUT,
STRAIGHT TAIL SHOWN**



**QUAD READOUT,
STRAIGHT TAIL SHOWN**

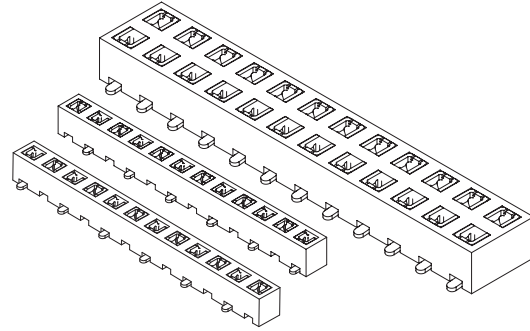
NUMBER OF CONTACTS SINGLE/DUAL/ QUAD	CENTER TO CENTER LENGTH [A]		OVERALL LENGTH [B]**	
	in	mm	in	mm
02/04/NA	0.079	2.00	0.157	4.00
03/06/NA	0.157	4.00	0.236	6.00
04/08/NA	0.236	6.00	0.315	8.00
05/10/20	0.315	8.00	0.394	10.00
06/12/24	0.394	10.00	0.472	12.00
07/14/28	0.472	12.00	0.551	14.00
08/16/32	0.551	14.00	0.630	16.00
09/18/36	0.630	16.00	0.709	18.00
10/20/40	0.709	18.00	0.787	20.00
11/22/44	0.787	20.00	0.866	22.00
12/24/48	0.866	22.00	0.945	24.00
13/26/52	0.945	24.00	1.024	26.00
14/28/54	1.024	26.00	1.102	28.00
15/30/60	1.102	28.00	1.181	30.00
16/32/64	1.181	30.00	1.260	32.00
17/34/68	1.260	32.00	1.339	34.00
18/36/72	1.339	34.00	1.417	36.00
19/38/76	1.417	36.00	1.496	38.00
20/40/80	1.496	38.00	1.575	40.00
21/42/84	1.575	40.00	1.654	42.00
22/44/88	1.654	42.00	1.732	44.00
23/46/92	1.732	44.00	1.811	46.00
24/48/96	1.811	46.00	1.890	48.00
25/50/100	1.890	48.00	1.969	50.00
26/52/104	1.969	50.00	2.047	52.00
27/54/108	2.047	52.00	2.126	54.00
28/56/112	2.126	54.00	2.205	56.00
29/58/116	2.205	56.00	2.283	58.00
30/60/120	2.283	58.00	2.362	60.00
31/62/NA	2.362	60.00	2.441	62.00
32/64/NA	2.441	62.00	2.520	64.00
33/66/NA	2.520	64.00	2.598	66.00
34/68/NA	2.598	66.00	2.677	68.00
35/70/NA	2.677	68.00	2.756	70.00
36/72/NA	2.756	70.00	2.835	72.00
37/74/NA	2.835	72.00	2.913	74.00
38/76/NA	2.913	74.00	2.992	76.00
39/78/NA	2.992	76.00	3.071	78.00
40/80/NA	3.071	78.00	3.150	80.00

** Dimension 'B' as shown are for 'FFK', Consult factory for other termination.

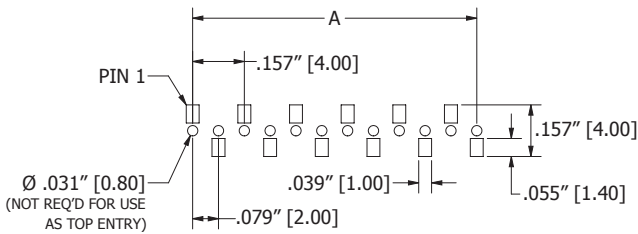
.079" [2.00 mm] Contact Centers, Top/Bottom Entry SMT Female Headers

SPECIFICATIONS

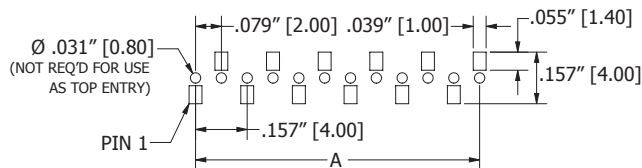
- Insulator Material: Nylon, UL 94V-0
- Contact Resistance: 20 milli Ohms Max.
- Current Rating: 2 Amps
- Dielectric Withstanding: 500 VAC
- Insulation Resistance: 5000 Megohms Min.
- Operating Temperature: -40°C to +105°C
- Processing Temperature: 230°C Max. for 60 seconds,
(260°C Max. for 10 seconds)



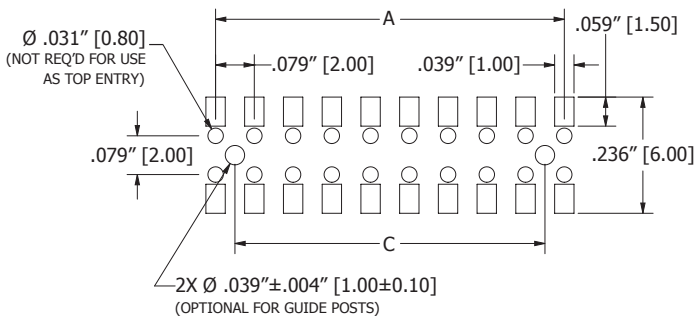
RECOMMENDED PCB LAYOUT



SFM230-NPPN-S__-SC-BK

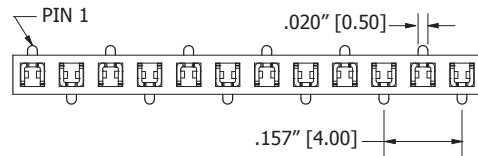


SFM230-NPPN-S__-SD-BK

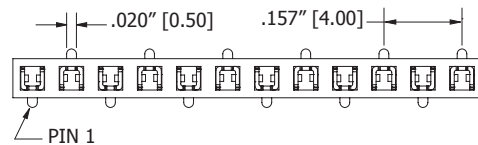


SFM230-NPPN-D__-S_-BK

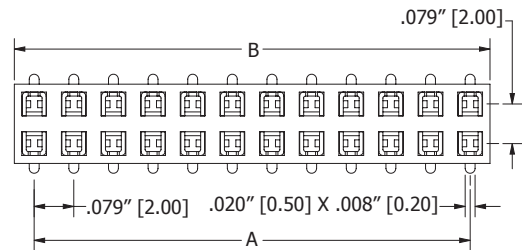
DIMENSIONS



SFM230-NPPN-S__-SC-BK
(STANDARD)



SFM230-NPPN-S__-SD-BK
(OPPOSITE BEND, APPLICABLE ON EVEN PIN COUNTS)



SFM230-NPPN-D__-S_-BK

.079" [2.00 mm] Contact Centers, Top/Bottom Entry SMT Female Headers

PART NUMBER OPTIONS

SFM230 - N P P N - D - SM - BK

SERIES — SFM230 = Female Header W/2.30 mm Insulator Height

INSULATOR MATERIAL — N = Nylon

CONTACT MATERIAL — P = Phosphor Bronze

CONTACT FINISH - RoHS Compliant — P = Gold Flash Overall

CONTACT CENTERS — N = .079" [2.00 mm]

COLOR — BK = Black

TERMINATION TYPE (See Opposite Page)

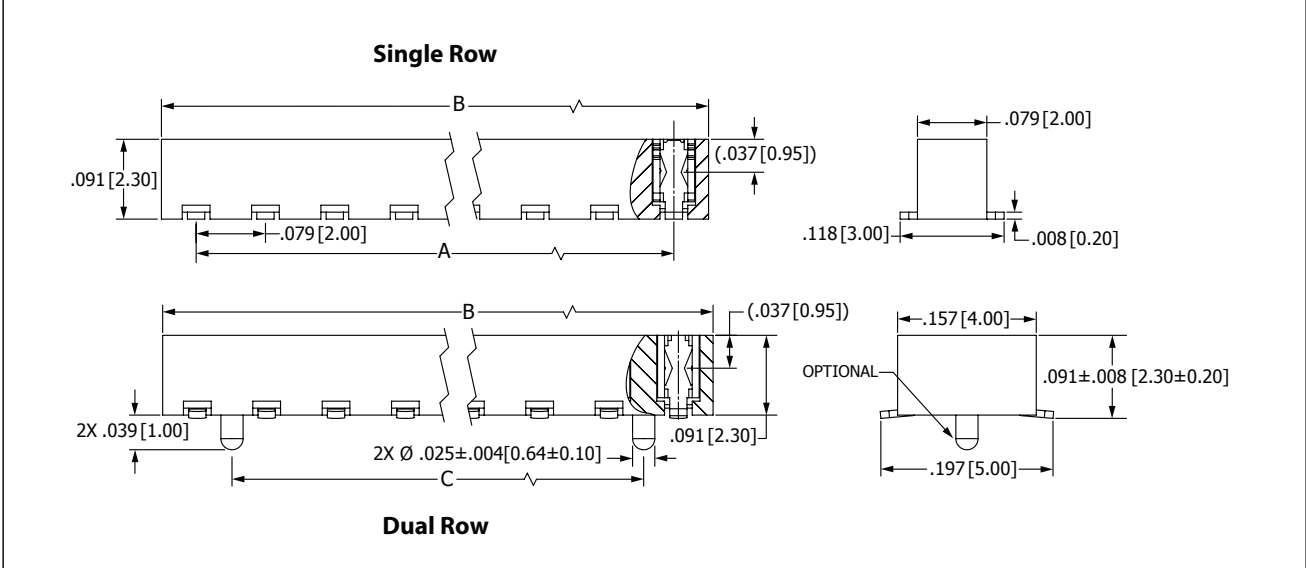
SC = Surface Mount, Standard (Single Row)
SD = Surface Mount, Opposite Bend, Applicable on Even pin Counts (Single Row)
SM = Surface Mount without Guide Posts (Dual Row)
SP = Surface Mount with Guide Posts (Dual Row)

NUMBER OF CONTACT POSITIONS (Contacts Per Row, 02 thru 40)

NUMBER OF ROWS

S = Single
D = Dual

DIMENSIONS Dimensions in [] are in millimeters, all others are in inches.



NUMBER OF CONTACTS SINGLE/DUAL	A		B		C	
	in	mm	in	mm	in	mm
02/04*	0.079	2.00	0.157	4.00	N/A	N/A
03/06	0.157	4.00	0.236	6.00	0.079	2.00
04/08	0.236	6.00	0.315	8.00	0.157	4.00
05/10	0.315	8.00	0.394	10.00	0.236	6.00
06/12	0.394	10.00	0.472	12.00	0.315	8.00
07/14	0.472	12.00	0.551	14.00	0.394	10.00
08/16	0.551	14.00	0.630	16.00	0.472	12.00
09/18	0.630	16.00	0.709	18.00	0.551	14.00
10/20	0.709	18.00	0.787	20.00	0.630	16.00
11/22	0.787	20.00	0.866	22.00	0.709	18.00
12/24	0.866	22.00	0.945	24.00	0.787	20.00
13/26	0.945	24.00	1.024	26.00	0.866	22.00
14/28	1.024	26.00	1.102	28.00	0.945	24.00
15/30	1.102	28.00	1.181	30.00	1.024	26.00
16/32	1.181	30.00	1.260	32.00	1.102	28.00
17/34	1.260	32.00	1.339	34.00	1.181	30.00
18/36	1.339	34.00	1.417	36.00	1.260	32.00
19/38	1.417	36.00	1.496	38.00	1.339	34.00
20/40	1.496	38.00	1.575	40.00	1.417	36.00
21/42	1.575	40.00	1.654	42.00	1.496	38.00

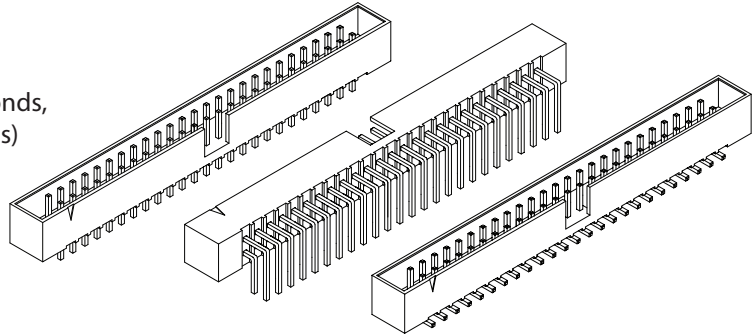
NUMBER OF CONTACTS SINGLE/DUAL	A		B		C	
	in	mm	in	mm	in	mm
22/44	1.654	42.00	1.732	44.00	1.575	40.00
23/46	1.732	44.00	1.811	46.00	1.654	42.00
24/48	1.811	46.00	1.890	48.00	1.732	44.00
25/50	1.890	48.00	1.969	50.00	1.811	46.00
26/52	1.969	50.00	2.047	52.00	1.890	48.00
27/54	2.047	52.00	2.126	54.00	1.969	50.00
28/56	2.126	54.00	2.205	56.00	2.047	52.00
29/58	2.205	56.00	2.283	58.00	2.126	54.00
30/60	2.283	58.00	2.362	60.00	2.205	56.00
31/62	2.362	60.00	2.441	62.00	2.283	58.00
32/64	2.441	62.00	2.520	64.00	2.362	60.00
33/66	2.520	64.00	2.598	66.00	2.441	62.00
34/68	2.598	66.00	2.677	68.00	2.520	64.00
35/70	2.677	68.00	2.756	70.00	2.598	66.00
36/72	2.756	70.00	2.835	72.00	2.677	68.00
37/74	2.835	72.00	2.913	74.00	2.756	70.00
38/76	2.913	74.00	2.992	76.00	2.835	72.00
39/78	2.992	76.00	3.071	78.00	2.913	74.00
40/80	3.071	78.00	3.150	80.00	2.992	76.00

* Not available with guide posts.

.079" [2.00 mm] Contact Centers, Shrouded (Box) Headers, Straight/Right Angle/SMT - SBH Series Mates with SFH21 series (See opposite page)

SPECIFICATIONS

- Centered Polarizing Notch
- Operating Temperature: -40°C to +105°C
- Processing Temperature: 230°C Max. for 60 seconds, (260°C Max. 10 seconds)
- UL Flammability Rating: 94V-0
- Contact Resistance: 20 milli Ohms Max.
- Current Rating: 2 Amps
- Dielectric Withstanding: 500 VAC
- Insulation Resistance: 5000 Megohms



PART NUMBER OPTIONS

SBH21 - N B P N - D 10 - ST - BK

SERIES
SBH21 = Box Header, .079" [2.00 mm] Contact Centers by .079" [2.00 mm] Row Spacing

INSULATOR MATERIAL
N = Nylon

CONTACT MATERIAL
B = Brass

CONTACT FINISH - RoHS Compliant
P = Gold Flash Overall

CONTACT CENTERS
N = .079" [2.00 mm]

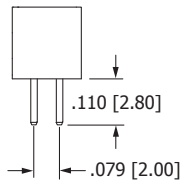
COLOR
BK = Black

TERMINATION TYPE
ST = Straight
RA = Right Angle
SM = Surface Mount

NUMBER OF CONTACT POSITIONS (Pins per Row)
03 thru 18, 20, 22, 25, 30, 32, 34

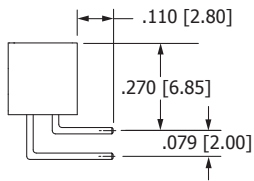
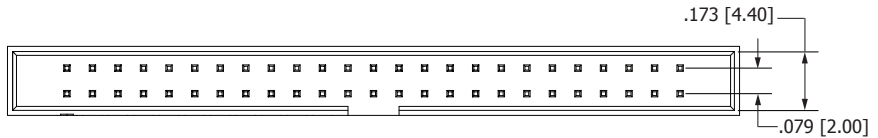
NUMBER OF ROWS
D = Dual Row

DIMENSIONS For complete drawings, go to www.sullinscorp.com or e-mail techsupport@sullinscorp.com Dimensions in [] are in millimeters, all others are in inches.



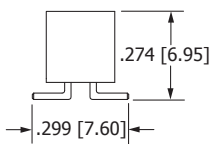
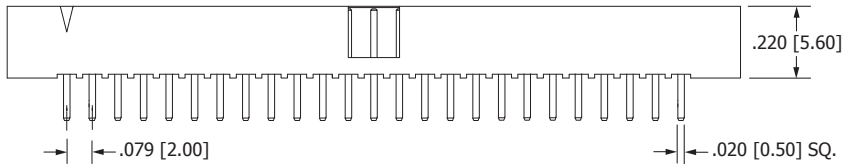
STRAIGHT (ST)

Example P/N: SBH21-NBPN-D20-ST-BK



RIGHT ANGLE (RA)

Example P/N: SBH21-NBPN-D20-RA-BK



SURFACE MOUNT (SM)

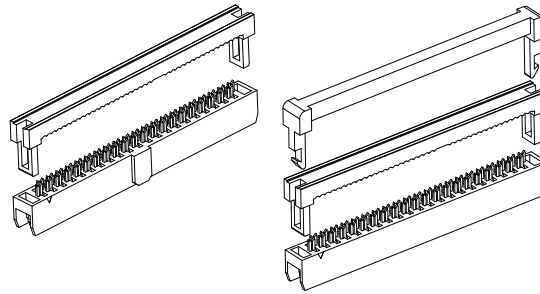
Example P/N: SBH21-NBPN-D20-SM-BK



**.079" [2.00 mm] Contact Centers, IDC Sockets, Insulation Displacement
With or Without Strain Relief- SFH Series
Mates with SBH21 series (See opposite page)**

SPECIFICATIONS

- Centered Polarizing Key Optional
- Operating Temperature: -45°C to +105°C
- UL Flammability Rating: 94V-0
- Current Rating: 1 Amp
- Dielectric Withstanding: 500 VAC
- Insulation Resistance: 1000 Megohms

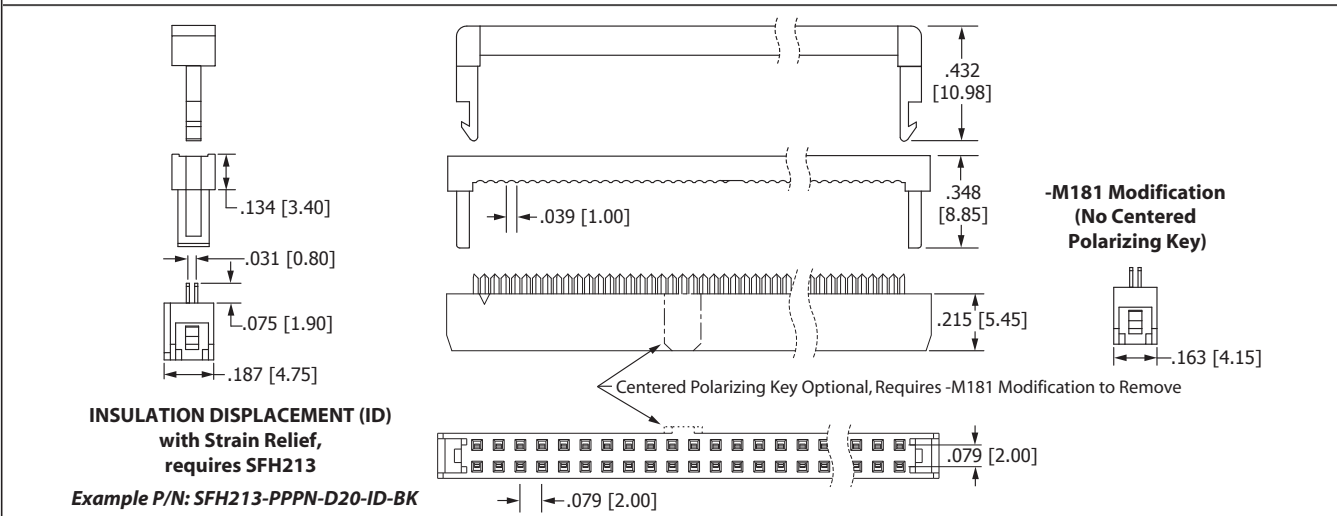
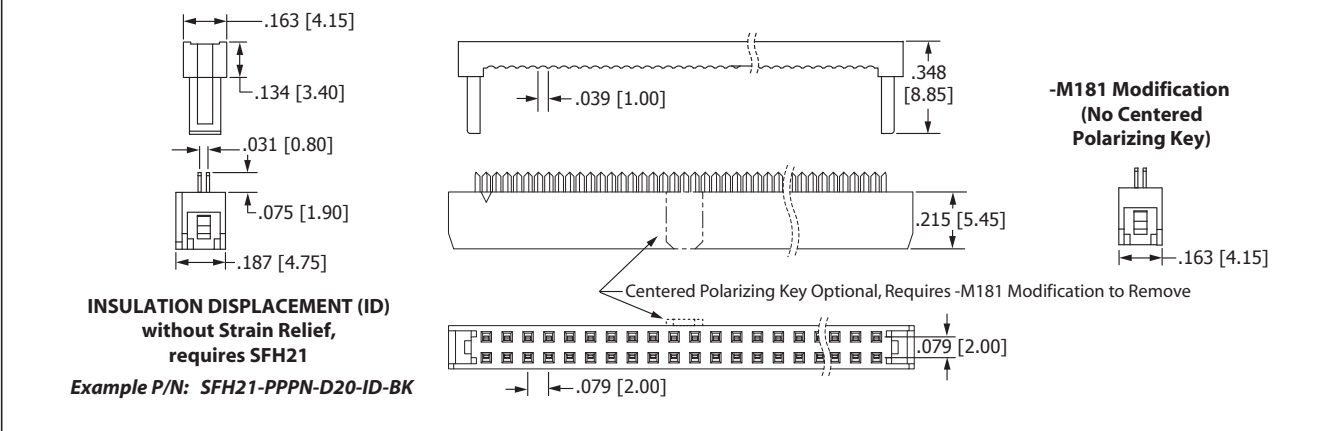


PART NUMBER OPTIONS

SFH21 - P P P N - D 10 - ID - BK - M181

<p>SERIES</p> <p>SFH21 = IDC Socket Without Strain Relief, .079" [2.00 mm] Contact Centers by .079" [2.00 mm] Row Spacing</p> <p>SFH213 = IDC Socket With Strain Relief, .079" [2.00 mm] Contact Centers by .079" [2.00 mm] Row Spacing</p> <p>INSULATOR MATERIAL</p> <p>P = PBT</p> <p>CONTACT MATERIAL</p> <p>P = Phosphor Bronze</p> <p>CONTACT FINISH - RoHS Compliant</p> <p>P = Gold Flash Overall</p> <p>V = Gold Flash on Contact Surface, Nickel on Termination</p>	<p>MODIFICATION (Omit for Standard)</p> <p>M181 = Without Centered Polarizing Key</p> <p>COLOR</p> <p>BK = Black</p> <p>TERMINATION TYPE</p> <p>ID = Insulation Displacement</p> <p>NUMBER OF CONTACT POSITIONS</p> <p>03 thru 13, 15, 17, 20, 22, 25, 30, 34 (SFH21)</p> <p>05 thru 13, 15, 17, 20, 22, 25 (SFH213)</p> <p>NUMBER OF ROWS</p> <p>D = Dual Row</p> <p>CONTACT CENTERS</p> <p>N = .079" [2.00 mm]</p>
--	--

DIMENSIONS For complete drawings, go to www.sullinscorp.com or e-mail techsupport@sullinscorp.com
Dimensions in [] are in millimeters, all others are in inches.

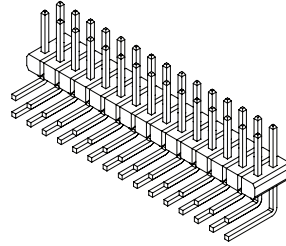


Headers

.100" [2.54 mm] Contact Centers, Male Breakaway Headers, Straight/Right Angle/SMT

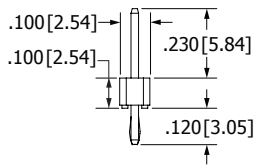
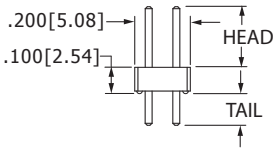
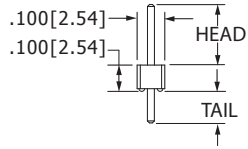
SPECIFICATIONS

- 3 Amps current rating
- UL Flammability Rating: 94V-0
- Insulator: PBT, PA9T, PPS, PEEK
- Contact Material: Phosphor Bronze
- See jumpers section for options available
- Consult Factory for PCB Layout



TERMINATION TYPES

STRAIGHT TERMINATIONS



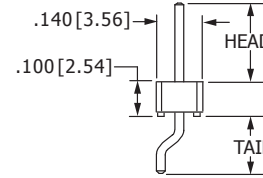
RETENTION LEAD MOUNTING
(EXAMPLE P/N: PBC365AAR)

P/N CODE	HEAD	TAIL
AA	.230 [5.84]	.120 [3.05]
AB	.230 [5.84]	.230 [5.84]
AC	.230 [5.84]	.320 [8.13]
AD	.230 [5.84]	.420 [10.67]
AE	.23 [5.84]	.520 [13.21]
AF	.230 [5.84]	.620 [15.75]
AG	.230 [5.84]	.720 [18.29]
AH	.230 [5.84]	.820 [20.83]
AI*	.230 [5.84]	.900 [22.86]
AJ*	.230 [5.84]	1.000 [25.40]
AK*	.230 [5.84]	.035 [0.89]
FA	.318 [8.08]	.120 [3.05]
FB	.318 [8.08]	.220 [5.59]
FC	.318 [8.08]	.320 [8.13]
FD	.318 [8.08]	.420 [10.67]
FE	.318 [8.08]	.520 [13.21]
FF*	.318 [8.08]	.620 [15.75]
FG*	.318 [8.08]	.710 [18.03]
FH*	.318 [8.08]	.810 [20.57]
FI*	.318 [8.08]	.910 [23.11]
FJ*	.318 [8.08]	.050 [1.27]
ZA	.120 [3.05]	.120 [3.05]
ZB*	.120 [3.05]	.095 [2.41]
ZC	.120 [3.05]	.260 [6.60]
ZD	.120 [3.05]	.610 [15.49]
ZI*	.520 [13.21]	.110 [2.79]
ZJ*	.720 [18.29]	.110 [2.79]
ZO*	.820 [20.83]	.110 [2.79]
ZQ*	1.020 [25.91]	.110 [2.79]
ZR*	1.220 [30.99]	.110 [2.79]

*Consult factory for availability.

SMT TERMINATIONS

Single Row with -M89, -M511, -M308 Modification Code

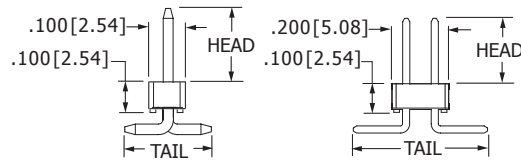


P/N CODE	HEAD	TAIL
BS	.230 [5.84]	.180 [4.57]
GS	.318 [8.08]	.180 [4.57]
ZC*	.120 [3.05]	.180 [4.57]
ZU*	.420 [10.67]	.180 [4.57]

*Consult factory for availability.

SMT TERMINATIONS

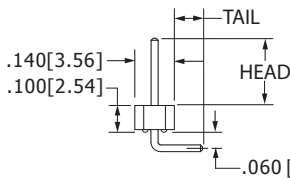
Single or Dual Row with -M30, -M508, -M596 Modification Code



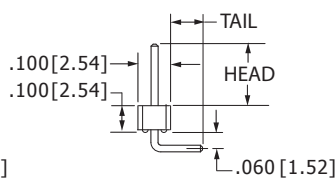
P/N CODE	HEAD	SINGLE ROW TAIL	DUAL ROW TAIL
AB	.230 [5.84]	.320 [8.13]	.420 [10.67]
FB	.318 [8.08]	.300 [7.62]	.400 [10.16]
ZS*	.120 [3.05]	.200 [5.08]	.300 [7.62]
ZT*	.420 [10.67]	.200 [5.08]	.300 [7.62]

*Consult factory for availability.

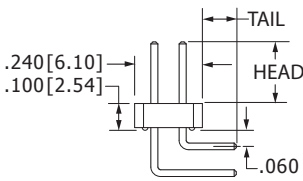
RIGHT ANGLE TERMINATIONS



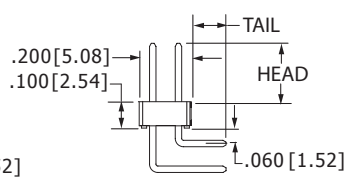
RIGHT ANGLE
(Standard)



RIGHT ANGLE SINGLE (Narrow)
-M71, -M509, -M595 Modification Code



RIGHT ANGLE
(Standard)



RIGHT ANGLE DUAL (Narrow)
-M71, -M509, -M595 Modification Code

P/N CODE	HEAD	TAIL	-M71, -M509, -M595 TAIL
BA	.230 [5.84]	.100 [2.54]	.120 [3.05]
BB	.230 [5.84]	.200 [5.08]	.220 [5.59]
BC	.230 [5.84]	.300 [7.62]	.320 [8.13]
BD	.230 [5.84]	.400 [10.16]	.420 [10.67]
BE	.230 [5.84]	.500 [12.70]	.520 [13.21]
BF**	.230 [5.84]	.600 [15.24]	.620 [15.75]
BG**	.230 [5.84]	.700 [17.78]	.720 [18.29]
BH*	.230 [5.84]	.800 [20.32]	.820 [20.83]
BI*	.230 [5.84]	.900 [22.86]	.920 [23.37]
BJ*	.230 [5.84]	1.000 [25.40]	1.020 [25.91]
GA	.318 [8.08]	.100 [2.54]	.120 [3.05]
GB	.318 [8.08]	.200 [5.08]	.220 [5.59]
GC**	.318 [8.08]	.300 [7.62]	.320 [8.13]
GD**	.318 [8.08]	.400 [10.16]	.420 [10.67]
GE*	.318 [8.08]	.600 [15.24]	.620 [15.75]
GF*	.318 [8.08]	.800 [20.32]	.820 [20.83]
DA**	.120 [3.05]	.120 [3.05]	.140 [3.56]

*Consult factory for availability.

**Consult factory for availability in Dual Readout.

.100" [2.54 mm] Contact Centers, Male Breakaway Headers, Straight/Right Angle/SMT

PART NUMBER OPTIONS

MATERIALS (INSULATOR/CONTACT)

- P = Black PBT or Equivalent/Phosphor Bronze
Operating Temperature: -65°C to +125°C
Processing Temperature: Manual/Wave Soldering
 - G = Black PA9T/Phosphor Bronze
Operating Temperature: -65°C to +150°C
Processing Temperature: 260°C Max. for 10 sec.
 - *R = Green PPS/Phosphor Bronze (Consult Factory)
Operating Temperature: -65°C to +200°C
Processing Temperature: 260°C Max. for 20 sec.
 - *Q = Tan PEEK/Phosphor Bronze (Consult Factory)
Operating Temperature: -65°C to +250°C
Processing Temperature: 260°C Max. for 20 sec.
- *Available with overall gold plating ('M') only

CONTACT FINISH - RoHS Compliant

All platings are Lead Free and have .000050" Nickel underplate

- | Contact Surface | Termination |
|---------------------------------------|--------------------------|
| B = .000010" Gold | .000100" Pure Tin, Matte |
| C = .000030" Gold | .000100" Pure Tin, Matte |
| E = .000100" Pure Tin, Matte, Overall | |
| G = .000010" Gold | .000005" Gold |
| S = .000010" Gold | .000010" Gold Overall |
| M = .000030" Gold | .000010" Gold Overall |

CONTACT CENTERS

C = .100" [2.54 mm]

NUMBER OF POSITIONS

01 Thru 36 (eg. 36 Dual = 72 Contacts)

READOUT (Opposite Page)

- S = Single
- D = Dual

P B C 36 D AA N - Mxxx

MODIFICATION CODE (Consult Factory)

OMIT FOR STANDARD

- M500 = Brown PPS**
 - M594 = White PA9T***
 - M30 = SMT, Vertical
(M508 for brown PPS**, M596 for white PA9T***)
 - M89 = SMT, Horizontal
(M511 for brown PPS**, M308 for white PA9T***)
Available with single row only
 - M71 = Narrow Body
(M509 for brown PPS**, M595 for white PA9T***)
Available with Right Angle Only
- **Brown PPS available with material code 'R' only
***White PA9T available with material code 'G' only

MOUNTING STYLE

- N = No Mounting
- R = Retention Lead (Single Row & 'AA' Termination Only)

TERMINATION TYPE (Opposite Page)

Straight = AA, AB, AC, AD, AE, AF, AG, AH, AI, AJ, AK, FA, FB, FC, FD, FE, FF, FG, FH, FI, FJ, ZA, ZB, ZC, ZD, ZE, ZF, ZG, ZH, ZI, ZJ, ZK, ZL, ZM, ZN, ZO, ZP, ZQ, ZR

Right Angle = BA, BB, BC, BD, BE, BF, BG, BH, BI, BJ, GA, GB, GC, GD, GE, GF, DA

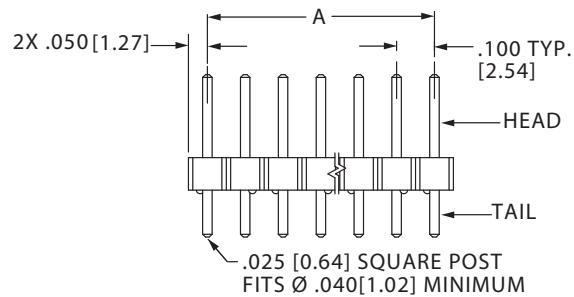
Right Angle with -M71, -M509, -M595 Modification Code = BA, BB, BC, BD, BE, BH, BI, BJ, GA, GB, GE, GF

SMT with -M89, -M511, -M308 Modification Code = BS, GS, ZC, ZU

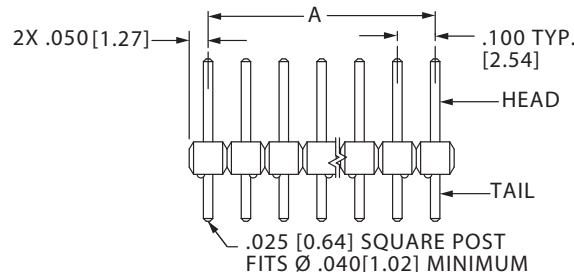
SMT with -M30, -M508, -M596 Modification Code = AB, FB, ZS, ZT

DIMENSIONS

Dimensions in [] are in millimeters, all others are in inches.



SINGLE READOUT, STRAIGHT TAIL SHOWN



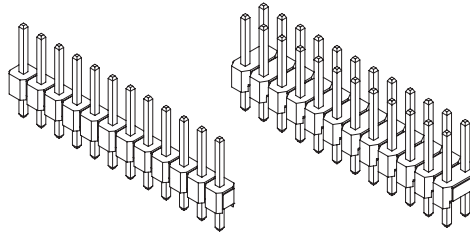
DUAL READOUT, STRAIGHT TAIL SHOWN

PART NUMBER	NUMBER OF CONTACTS SINGLE/DUAL	A		B	
		in	mm	in	mm
__C01S(D)___	01/02	0.000	0.00	0.100	2.54
__C02S(D)___	02/04	0.100	2.54	0.200	5.08
__C03S(D)___	03/06	0.200	5.08	0.300	7.62
__C04S(D)___	04/08	0.300	7.62	0.400	10.16
__C05S(D)___	05/10	0.400	10.16	0.500	12.70
__C06S(D)___	06/12	0.500	12.70	0.600	15.24
__C07S(D)___	07/14	0.600	15.24	0.700	17.78
__C08S(D)___	08/16	0.700	17.78	0.800	20.32
__C09S(D)___	09/18	0.800	20.32	0.900	22.86
__C10S(D)___	10/20	0.900	22.86	1.000	25.40
__C11S(D)___	11/22	1.000	25.40	1.100	27.94
__C12S(D)___	12/24	1.100	27.94	1.200	30.48
__C13S(D)___	13/26	1.200	30.48	1.300	33.02
__C14S(D)___	14/28	1.300	33.02	1.400	35.56
__C15S(D)___	15/30	1.400	35.56	1.500	38.10
__C16S(D)___	16/32	1.500	38.10	1.600	40.64
__C17S(D)___	17/34	1.600	40.64	1.700	43.18
__C18S(D)___	18/36	1.700	43.18	1.800	45.72
__C19S(D)___	19/38	1.800	45.72	1.900	48.26
__C20S(D)___	20/40	1.900	48.26	2.000	50.80
__C21S(D)___	21/42	2.000	50.80	2.100	53.34
__C22S(D)___	22/44	2.100	53.34	2.200	55.88
__C23S(D)___	23/46	2.200	55.88	2.300	58.42
__C24S(D)___	24/48	2.300	58.42	2.400	60.96
__C25S(D)___	25/50	2.400	60.96	2.500	63.50
__C26S(D)___	26/52	2.500	63.50	2.600	66.04
__C27S(D)___	27/54	2.600	66.04	2.700	68.58
__C28S(D)___	28/56	2.700	68.58	2.800	71.12
__C29S(D)___	29/58	2.800	71.12	2.900	73.66
__C30S(D)___	30/60	2.900	73.66	3.000	76.20
__C31S(D)___	31/62	3.000	76.20	3.100	78.74
__C32S(D)___	32/64	3.100	78.74	3.200	81.28
__C33S(D)___	33/66	3.200	81.28	3.300	83.82
__C34S(D)___	34/68	3.300	83.82	3.400	86.36
__C35S(D)___	35/70	3.400	86.36	3.500	88.90
__C36S(D)___	36/72	3.500	88.90	3.600	91.44

.100" [2.54 mm] Contact Centers, Male Breakaway Headers, Straight

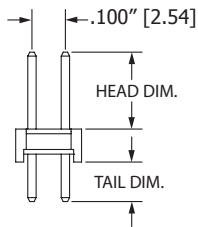
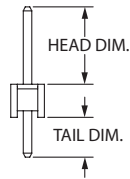
SPECIFICATIONS

- 3 Amps current rating
- UL Flammability Rating: 94V-0
- Insulator Material: PBT, Nylon, LCP
- Contact Material: Brass



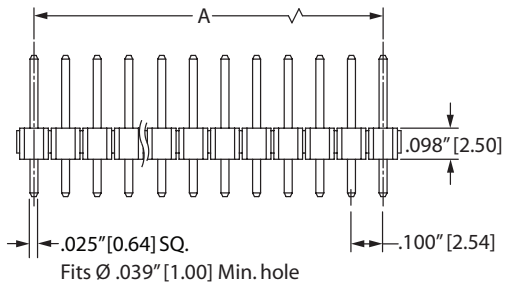
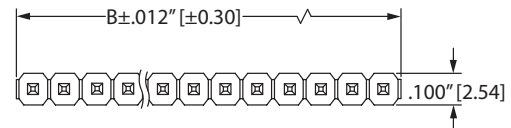
TERMINATION TYPES

STRAIGHT TERMINATIONS

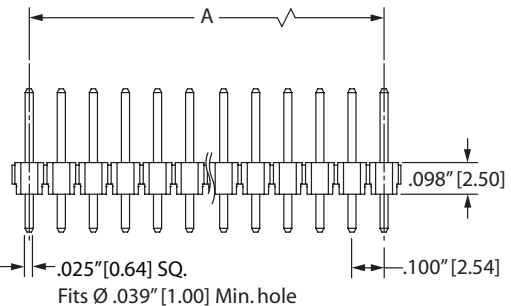
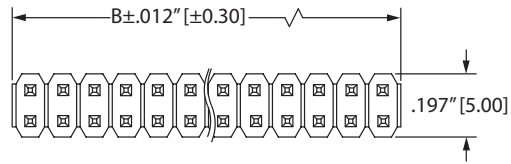


P/N CODE	HEAD	TAIL
AA	0.230" [5.84]	0.120" [3.05]
AB	0.230" [5.84]	0.230" [5.84]
AC	0.230" [5.84]	0.320" [8.13]
AD	0.230" [5.84]	0.420" [10.67]
AE	0.230" [5.84]	0.520" [13.21]
AF	0.230" [5.84]	0.620" [15.75]
AG	0.230" [5.84]	0.720" [18.29]
AH	0.230" [5.84]	0.820" [20.83]
AI	0.230" [5.84]	0.900" [22.86]
AJ	0.230" [5.84]	1.000" [25.40]
AK	0.230" [5.84]	0.035" [0.89]
FA	0.318" [8.08]	0.120" [3.05]
FB	0.318" [8.08]	0.220" [5.59]
FC	0.318" [8.08]	0.320" [8.13]
FD	0.318" [8.08]	0.420" [10.67]
FE	0.318" [8.08]	0.520" [13.21]
FF	0.318" [8.08]	0.620" [15.75]
FG	0.318" [8.08]	0.710" [18.03]
FH	0.318" [8.08]	0.810" [20.57]
FI	0.318" [8.08]	0.910" [23.11]
FJ	0.318" [8.08]	0.050" [1.27]
ZA	0.120" [3.05]	0.120" [3.05]
ZB	0.120" [3.05]	0.095" [2.41]
ZC	0.120" [3.05]	0.260" [6.60]
ZD	0.120" [3.05]	0.610" [15.49]
ZI	0.520" [13.21]	0.110" [2.79]
ZJ	0.720" [18.29]	0.110" [2.79]
ZO	0.820" [20.83]	0.110" [2.79]
ZQ	1.020" [25.91]	0.110" [2.79]
ZR	1.220" [30.99]	0.110" [2.79]

DIMENSIONS



**SINGLE READOUT,
STRAIGHT TAIL SHOWN**



**DUAL READOUT,
STRAIGHT TAIL SHOWN**

.100" [2.54 mm] Contact Centers, Male Breakaway Headers, Straight

PART NUMBER OPTIONS

PR B C 002 S AA N - RC

MATERIALS (INSULATOR/CONTACT)

- PR = PBT/BRASS
Operating Temperature: -40°C to +105°C
Processing Temperature: Wave/Manual Soldering
- NR = NYLON/BRASS
Operating Temperature: -40°C to +105°C
Processing Temperature: Wave/Manual Soldering
- LR = LCP/BRASS
Operating Temperature: -40°C to +125°C
Processing Temperature: 230°C Max. for 60 sec.
(260°C Max. for 10 sec.)

TERMINATION TYPE

- AA, AB, AC, AD, AE, AF, AG, AH, AI, AJ, AK,
FA, FB, FC, FD, FE, FF, FG, FH, FI, FJ,
ZA, ZB, ZC, ZD, ZI, ZJ, ZO, ZQ, ZR

READOUT (Opposite Page)

- S = Single
- D = Dual

NUMBER OF POSITIONS

Contacts Per row, 002 Thru 040

CONTACT CENTERS

C = .100" [2.54 mm]

CONTACT FINISH - RoHS Compliant

All platings are Lead Free and have .000050" Nickel underplate

- | Contact Surface | Termination |
|------------------------|--------------------------|
| B = .000010" Gold | .000100" Pure Tin, Matte |
| C = .000030" Gold | .000100" Pure Tin, Matte |
| E = Tin Overall | |
| P = Gold Flash Overall | |

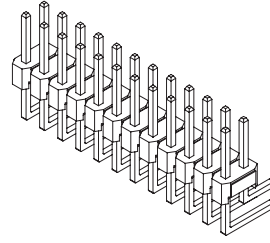
PART NUMBER	A		B	
	in	mm	in	mm
_R_C002S__-RC	0.100	2.54	0.200	5.08
_R_C003S__-RC	0.200	5.08	0.300	7.62
_R_C004S__-RC	0.300	7.62	0.400	10.16
_R_C005S__-RC	0.400	10.16	0.500	12.70
_R_C006S__-RC	0.500	12.70	0.600	15.24
_R_C007S__-RC	0.600	15.24	0.700	17.78
_R_C008S__-RC	0.700	17.78	0.800	20.32
_R_C009S__-RC	0.800	20.32	0.900	22.86
_R_C010S__-RC	0.900	22.86	1.000	25.40
_R_C011S__-RC	1.000	25.40	1.100	27.94
_R_C012S__-RC	1.100	27.94	1.200	30.48
_R_C013S__-RC	1.200	30.48	1.300	33.02
_R_C014S__-RC	1.300	33.02	1.400	35.56
_R_C015S__-RC	1.400	35.56	1.500	38.10
_R_C016S__-RC	1.500	38.10	1.600	40.64
_R_C017S__-RC	1.600	40.64	1.700	43.18
_R_C018S__-RC	1.700	43.18	1.800	45.72
_R_C019S__-RC	1.800	45.72	1.900	48.26
_R_C020S__-RC	1.900	48.26	2.000	50.80
_R_C021S__-RC	2.000	50.80	2.100	53.34
_R_C022S__-RC	2.100	53.34	2.200	55.88
_R_C023S__-RC	2.200	55.88	2.300	58.42
_R_C024S__-RC	2.300	58.42	2.400	60.96
_R_C025S__-RC	2.400	60.96	2.500	63.50
_R_C026S__-RC	2.500	63.50	2.600	66.04
_R_C027S__-RC	2.600	66.04	2.700	68.58
_R_C028S__-RC	2.700	68.58	2.800	71.12
_R_C029S__-RC	2.800	71.12	2.900	73.66
_R_C030S__-RC	2.900	73.66	3.000	76.20
_R_C031S__-RC	3.000	76.20	3.100	78.74
_R_C032S__-RC	3.100	78.74	3.200	81.28
_R_C033S__-RC	3.200	81.28	3.300	83.82
_R_C034S__-RC	3.300	83.82	3.400	86.36
_R_C035S__-RC	3.400	86.36	3.500	88.90
_R_C036S__-RC	3.500	88.90	3.600	91.44
_R_C037S__-RC	3.600	91.44	3.700	93.98
_R_C038S__-RC	3.700	93.98	3.800	96.52
_R_C039S__-RC	3.800	96.52	3.900	99.06
_R_C040S__-RC	3.900	99.06	4.000	101.60

PART NUMBER	A		B	
	in	mm	in	mm
_R_C002D__-RC	0.100	2.54	0.200	5.08
_R_C003D__-RC	0.200	5.08	0.300	7.62
_R_C004D__-RC	0.300	7.62	0.400	10.16
_R_C005D__-RC	0.400	10.16	0.500	12.70
_R_C006D__-RC	0.500	12.70	0.600	15.24
_R_C007D__-RC	0.600	15.24	0.700	17.78
_R_C008D__-RC	0.700	17.78	0.800	20.32
_R_C009D__-RC	0.800	20.32	0.900	22.86
_R_C010D__-RC	0.900	22.86	1.000	25.40
_R_C011D__-RC	1.000	25.40	1.100	27.94
_R_C012D__-RC	1.100	27.94	1.200	30.48
_R_C013D__-RC	1.200	30.48	1.300	33.02
_R_C014D__-RC	1.300	33.02	1.400	35.56
_R_C015D__-RC	1.400	35.56	1.500	38.10
_R_C016D__-RC	1.500	38.10	1.600	40.64
_R_C017D__-RC	1.600	40.64	1.700	43.18
_R_C018D__-RC	1.700	43.18	1.800	45.72
_R_C019D__-RC	1.800	45.72	1.900	48.26
_R_C020D__-RC	1.900	48.26	2.000	50.80
_R_C021D__-RC	2.000	50.80	2.100	53.34
_R_C022D__-RC	2.100	53.34	2.200	55.88
_R_C023D__-RC	2.200	55.88	2.300	58.42
_R_C024D__-RC	2.300	58.42	2.400	60.96
_R_C025D__-RC	2.400	60.96	2.500	63.50
_R_C026D__-RC	2.500	63.50	2.600	66.04
_R_C027D__-RC	2.600	66.04	2.700	68.58
_R_C028D__-RC	2.700	68.58	2.800	71.12
_R_C029D__-RC	2.800	71.12	2.900	73.66
_R_C030D__-RC	2.900	73.66	3.000	76.20
_R_C031D__-RC	3.000	76.20	3.100	78.74
_R_C032D__-RC	3.100	78.74	3.200	81.28
_R_C033D__-RC	3.200	81.28	3.300	83.82
_R_C034D__-RC	3.300	83.82	3.400	86.36
_R_C035D__-RC	3.400	86.36	3.500	88.90
_R_C036D__-RC	3.500	88.90	3.600	91.44
_R_C037D__-RC	3.600	91.44	3.700	93.98
_R_C038D__-RC	3.700	93.98	3.800	96.52
_R_C039D__-RC	3.800	96.52	3.900	99.06
_R_C040D__-RC	3.900	99.06	4.000	101.60

.100" [2.54 mm] Contact Centers, Male Breakaway Headers, Right Angle/SMT

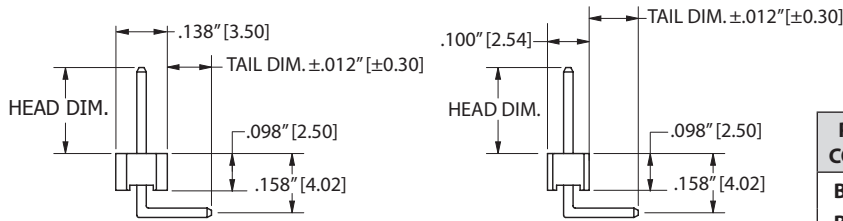
SPECIFICATIONS

- 3 Amps current rating
- UL Flammability Rating : 94V-0
- Insulator Material : PBT, Nylon, LCP
- Contact Material : Brass



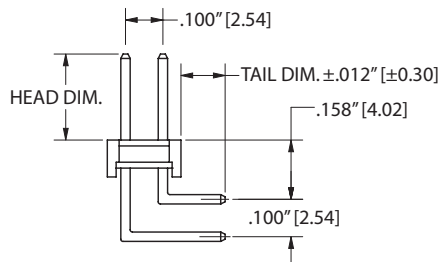
TERMINATIONS TYPES

RIGHT ANGLE TERMINATIONS



Single Row (Standard)
(EXAMPLE P/N: NRBC012SBAN-RC)

Single Row (Narrow)
-M71 Modification Code
(EXAMPLE P/N: NRBC012SBAN-M71RC)



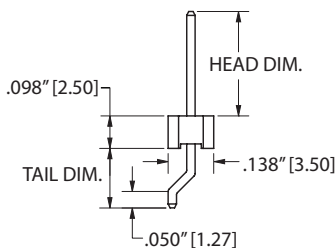
Dual Row (Narrow) -M71 Modification Code
(EXAMPLE P/N: NRBC012DBAN-M71RC)

P/N CODE	HEAD	TAIL	-M71 TAIL
BA	.230" [5.84]	.100" [2.54]	.120" [3.05]
BB	.230" [5.84]	.200" [5.08]	.220" [5.59]
BC	.230" [5.84]	.300" [7.62]	.320" [8.13]
BD	.230" [5.84]	.400" [10.16]	.420" [10.67]
BE	.230" [5.84]	.500" [12.70]	.520" [13.21]
BF*	.230" [5.84]	.600" [15.24]	.620" [15.75]
BG*	.230" [5.84]	.700" [17.78]	.720" [18.29]
BH	.230" [5.84]	.800" [20.32]	.820" [20.83]
BI	.230" [5.84]	.900" [22.86]	.920" [23.37]
BJ	.230" [5.84]	1.000" [25.40]	1.020" [25.91]
GA	.318" [8.08]	.100" [2.54]	.120" [3.05]
GB	.318" [8.08]	.200" [5.08]	.220" [5.59]
GC*	.318" [8.08]	.300" [7.62]	.320" [8.13]
GD*	.318" [8.08]	.400" [10.16]	.420" [10.67]
GE	.318" [8.08]	.600" [15.24]	.620" [15.75]
GF	.318" [8.08]	.800" [20.32]	.820" [20.83]
DA*	.120" [3.05]	.120" [3.05]	.140" [3.56]

*Consult factory for availability in Dual Row

SMT TERMINATIONS

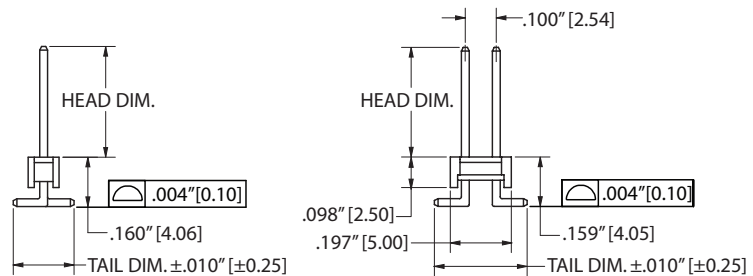
Single Row with -M89 Modification Code
(EXAMPLE P/N: NRBC012SBSN-M89RC)



P/N CODE	HEAD	TAIL
BS	.230" [5.84]	.180" [4.57]
GS	.318" [8.08]	.180" [4.57]
ZC	.120" [3.05]	.180" [4.57]
ZU	.420" [10.67]	.180" [4.57]

SMT TERMINATIONS

Single or Dual Row with -M30 Modification Code
(EXAMPLE P/N: NRBC012SABC-M30RC) (EXAMPLE P/N: NRBC012DABN-M30RC)



P/N CODE	HEAD	SINGLE ROW TAIL	DUAL ROW TAIL
AB	.230" [5.84]	.320" [8.13]	.420" [10.67]
FB	.318" [8.08]	.300" [7.62]	.400" [10.16]
ZS	.120" [3.05]	.200" [5.08]	.300" [7.62]
ZT	.420" [10.67]	.200" [5.08]	.300" [7.62]

.100" [2.54 mm] Contact Centers, Male Breakaway Headers, Right Angle/SMT

PART NUMBER OPTIONS

PR B C 002 S BA N - Mxxx RC

MATERIALS (INSULATOR/CONTACT)

- PR = PBT/BRASS**
Operating Temperature: -40°C to +105°C
Processing Temperature: Wave/Manual Soldering
- NR = NYLON/BRASS**
Operating Temperature: -40°C to +105°C
Processing Temperature: Wave/Manual Soldering
- LR = LCP/BRASS**
Operating Temperature: -40°C to +125°C
Processing Temperature: 230°C Max. for 60 seconds,
(260°C Max. for 10 seconds)

CONTACT FINISH - RoHS Compliant

All platings are Lead Free and have .000050" Nickel underplate

- | | |
|------------------------|--------------------------|
| Contact Surface | Termination |
| B = .000010" Gold | .000100" Pure Tin, Matte |
| C = .000030" Gold | .000100" Pure Tin, Matte |
| E = Tin Overall | |
| P = Gold Flash Overall | |

CONTACT CENTERS

C = .100" [2.54 mm]

NUMBER OF POSITIONS

Contacts Per row, 002 Thru 040

MODIFICATION CODE (Consult Factory)

- SINGLE ROW OMIT FOR STANDARD ('NR' Material Only)
- M30 = SMT ('NR' & 'LR' Material Only), Vertical
- M89 = SMT ('NR' Material Only), Horizontal
- M71 = Right Angle ('PR', 'NR', 'LR' Material), Narrow Body

MOUNTING STYLE

- N = No Mounting
- C = SMT, Single Row (Standard)
- D = SMT, Single Row (Opposite Bend)

TERMINATION TYPE

- Right Angle** = BA, BB, BC, BD, BE, BH, BI, BJ, GA, GB, GE, GF
(Single Row or Dual Row)
- = BF, BG, GC, GD, DA (Single Row Only)

SMT with -M89 Modification Code

- = BS, GS, ZC, ZU (Single Row Only)

SMT with -M30 Modification Code

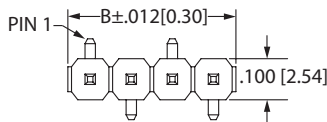
- = AB, FB, ZS, ZT

READOUT

- S = Single
- D = Dual

DIMENSIONS

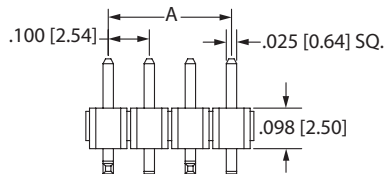
Dimensions in [] are in millimeters, all others are in inches.



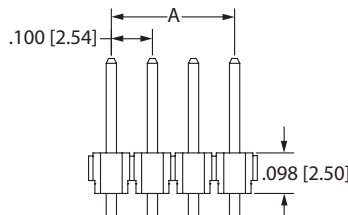
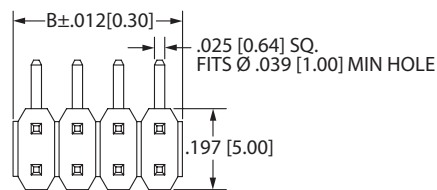
P/N: R C S C-M30RC
(STANDARD)



P/N: R C S D-M30RC
(OPPOSITE BEND, ONLY APPLICABLE ON EVEN PIN COUNTS)



SINGLE READOUT,
SMT TAIL -M30 SHOWN



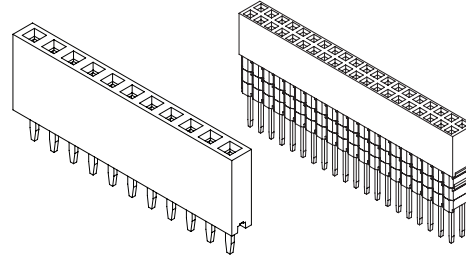
DUAL READOUT,
RIGHT ANGLE TAIL -M71 SHOWN

PART NUMBER	A		B	
	in	mm	in	mm
_R_C002 - - - RC	0.100	2.54	0.200	5.08
_R_C003 - - - RC	0.200	5.08	0.300	7.62
_R_C004 - - - RC	0.300	7.62	0.400	10.16
_R_C005 - - - RC	0.400	10.16	0.500	12.70
_R_C006 - - - RC	0.500	12.70	0.600	15.24
_R_C007 - - - RC	0.600	15.24	0.700	17.78
_R_C008 - - - RC	0.700	17.78	0.800	20.32
_R_C009 - - - RC	0.800	20.32	0.900	22.86
_R_C010 - - - RC	0.900	22.86	1.000	25.40
_R_C011 - - - RC	1.000	25.40	1.100	27.94
_R_C012 - - - RC	1.100	27.94	1.200	30.48
_R_C013 - - - RC	1.200	30.48	1.300	33.02
_R_C014 - - - RC	1.300	33.02	1.400	35.56
_R_C015 - - - RC	1.400	35.56	1.500	38.10
_R_C016 - - - RC	1.500	38.10	1.600	40.64
_R_C017 - - - RC	1.600	40.64	1.700	43.18
_R_C018 - - - RC	1.700	43.18	1.800	45.72
_R_C019 - - - RC	1.800	45.72	1.900	48.26
_R_C020 - - - RC	1.900	48.26	2.000	50.80
_R_C021 - - - RC	2.000	50.80	2.100	53.34
_R_C022 - - - RC	2.100	53.34	2.200	55.88
_R_C023 - - - RC	2.200	55.88	2.300	58.42
_R_C024 - - - RC	2.300	58.42	2.400	60.96
_R_C025 - - - RC	2.400	60.96	2.500	63.50
_R_C026 - - - RC	2.500	63.50	2.600	66.04
_R_C027 - - - RC	2.600	66.04	2.700	68.58
_R_C028 - - - RC	2.700	68.58	2.800	71.12
_R_C029 - - - RC	2.800	71.12	2.900	73.66
_R_C030 - - - RC	2.900	73.66	3.000	76.20
_R_C031 - - - RC	3.000	76.20	3.100	78.74
_R_C032 - - - RC	3.100	78.74	3.200	81.28
_R_C033 - - - RC	3.200	81.28	3.300	83.82
_R_C034 - - - RC	3.300	83.82	3.400	86.36
_R_C035 - - - RC	3.400	86.36	3.500	88.90
_R_C036 - - - RC	3.500	88.90	3.600	91.44
_R_C037 - - - RC	3.600	91.44	3.700	93.98
_R_C038 - - - RC	3.700	93.98	3.800	96.52
_R_C039 - - - RC	3.800	96.52	3.900	99.06
_R_C040 - - - RC	3.900	99.06	4.000	101.60

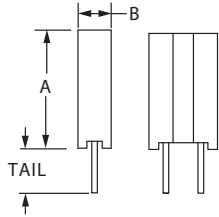
.100" [2.54 mm] Contact Centers, Female Headers, Straight/Right Angle/SMT

SPECIFICATIONS

- 3 Amps current rating
- UL Flammability Rating: 94V-0
- Insulator Material: PBT, Nylon
- Contact Material: Phosphor Bronze

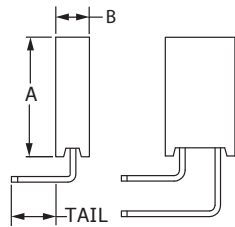


TERMINATION TYPE



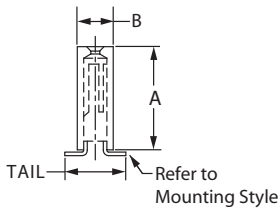
STRAIGHT

P/N CODE	ROWS	TERMINATION TYPE	A	B	TAIL
LFB	1	STRAIGHT	.335" [8.50]	.100" [2.54]	.126" [3.20]
	2	STRAIGHT	.335" [8.50]	.200" [5.08]	.126" [3.20]



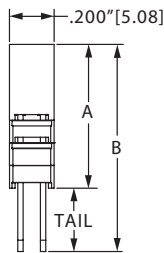
RIGHT ANGLE

P/N CODE	ROWS	TERMINATION TYPE	A	B	TAIL
LGB	1	RIGHT ANGLE	.335" [8.50]	0.100" [2.54]	.124" [3.15]
LJB	2	RIGHT ANGLE	.335" [8.50]	0.200" [5.08]	.124" [3.15]



SMT

P/N CODE	ROWS	TERMINATION TYPE	ENTRY	A	B	TAIL
KFX	1	SMT	TOP ENTRY	.280" [7.10]	.098" [2.50]	.169" [4.30]
KFM	2	SMT	TOP ENTRY	.280" [7.10]	.197" [5.00]	.270" [6.85]



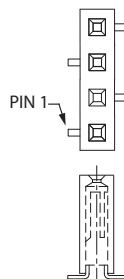
2 ROW STRAIGHT WITH ELEVATED SPACER

P/N CODE	ROWS	MODIFICATION	# OF SPACERS	A	B	TAIL
LFH	2	M44	1	.435" [11.04]	.725" [18.42]	.291" [7.38]
	2	M45	2	.535" [13.58]	.725" [18.42]	.191" [4.84]
	2	M46	3	.635" [16.12]	.725" [18.42]	.091" [2.30]
	2	M50	1	.435" [11.04]	.525" [13.34]	.091" [2.30]
	2	M51	1	.435" [11.04]	.915" [23.24]	.480" [12.20]
	2	M52	2	.535" [13.58]	.915" [23.24]	.380" [9.65]
	2	M53	3	.635" [16.12]	.914" [23.22]	.280" [7.10]
	2	M54	4	.735" [18.66]	.916" [23.26]	.181" [4.60]

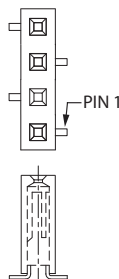
MOUNTING STYLE



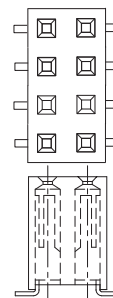
No Mounting Standard (N)



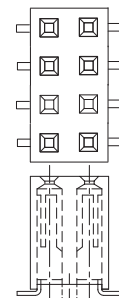
One Row SMT, Pin 1 Left (C)



One Row SMT, Pin 1 Right (D)



Two Row SMT, Without Guide Post (S)



Two Row SMT, With Guide Post (P)

.100" [2.54 mm] Contact Centers, Female Headers, Straight/Right Angle/SMT

PART NUMBER OPTIONS

MATERIALS (INSULATOR/CONTACT)
 PP = Polyester/Phosphor Bronze (Thru Hole Only)
 NP = Nylon/Phosphor Bronze
 LP = LCP/Phosphor Bronze (SMT Only)

CONTACT FINISH - RoHS Compliant
 P = Gold Flash Overall
 T = Tin Overall

CONTACT CENTERS
 C = .100" [2.54 mm]

NUMBER OF POSITIONS
 Contact per row, 02 Thru 40

NUMBER OF ROWS (Opposite Page)
 1 = Single Row
 2 = Dual Row

PP P C 36 1 LFB N - Mxx RC

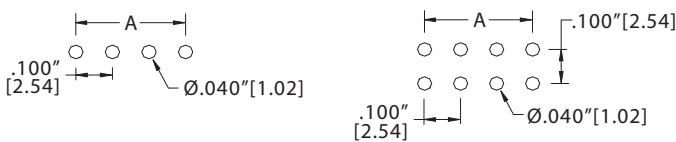
RoHS Compliant

MODIFICATION (Consult Factory)
 Required for LFH Termination
 See Termination Type on Opposite Page

MOUNTING STYLE
 N = No Mounting
 C = SMT, Single Row, pin 1 Left
 D = SMT, Single Row, pin 1 Right
 P = SMT, Dual Row with guide posts
 S = SMT, Dual Row without guide posts

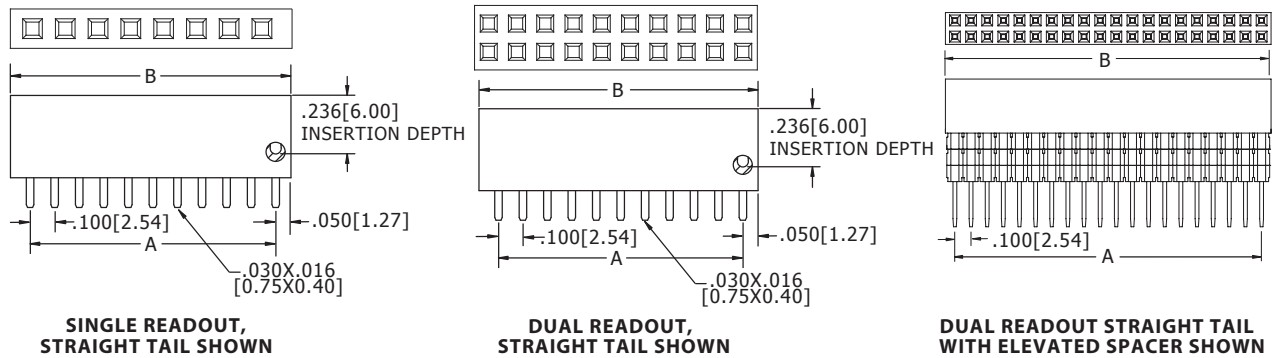
TERMINATION TYPE
 LFB = Straight
 LGB = Single Row Right Angle
 LJB = Dual Row Right Angle
 KFX = Single Row SMT (NP & LP Only)
 KFM = Dual Row SMT (NP & LP Only)
 LFH = Dual Row Straight with Elevated Spacer (Requires Modification see Opposite Page)

PCB LAYOUT



Recommended P.C.Board Hole Layout

DIMENSIONS Dimensions in [] are in millimeters, all others are in inches.



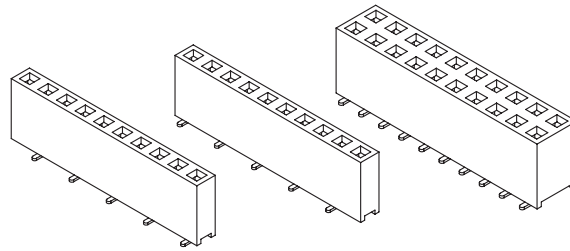
NUMBER OF POSITIONS	NUMBER OF CONTACTS		A		B	
	1 Row	2 Row	in	mm	in	mm
02	2	4	.100	2.54	.220	5.58
03	3	6	.200	5.08	.320	8.12
04	4	8	.300	7.62	.420	10.66
05	5	10	.400	10.16	.520	13.20
06	6	12	.500	12.70	.620	15.74
07	7	14	.600	15.24	.720	18.28
08	8	16	.700	17.78	.820	20.82
09	9	18	.800	20.32	.920	23.36
10	10	20	.900	22.86	1.020	25.90
11	11	22	1.000	25.40	1.120	28.44
12	12	24	1.100	27.94	1.220	30.98
13	13	26	1.200	30.48	1.320	33.52
14	14	28	1.300	33.02	1.420	36.06
15	15	30	1.400	35.56	1.520	38.60
16	16	32	1.500	38.10	1.620	41.14
17	17	34	1.600	40.64	1.720	43.68
18	18	36	1.700	43.18	1.820	46.22
19	19	38	1.800	45.72	1.920	48.76
20	20	40	1.900	48.26	2.020	51.30
21	21	42	2.000	50.80	2.120	53.84

NUMBER OF POSITIONS	NUMBER OF CONTACTS		A		B	
	1 Row	2 Row	in	mm	in	mm
22	22	44	2.100	53.34	2.220	56.38
23	23	46	2.200	55.88	2.320	58.92
24	24	48	2.300	58.42	2.420	61.46
25	25	50	2.400	60.96	2.520	64.00
26	26	52	2.500	63.50	2.620	66.54
27	27	54	2.600	66.04	2.720	69.08
28	28	56	2.700	68.58	2.820	71.62
29	29	58	2.800	71.12	2.920	74.16
30	30	60	2.900	73.66	3.020	76.70
31	31	62	3.000	76.20	3.120	79.24
32	32	64	3.100	78.74	3.220	81.78
33	33	66	3.200	81.28	3.320	84.32
34	34	68	3.300	83.82	3.420	86.86
35	35	70	3.400	86.36	3.520	89.40
36	36	72	3.500	88.90	3.620	91.94
37	37	74	3.600	91.44	3.720	94.48
38	38	76	3.700	93.98	3.820	97.02
39	39	78	3.800	96.52	3.920	99.56
40	40	80	3.900	99.06	4.020	102.10

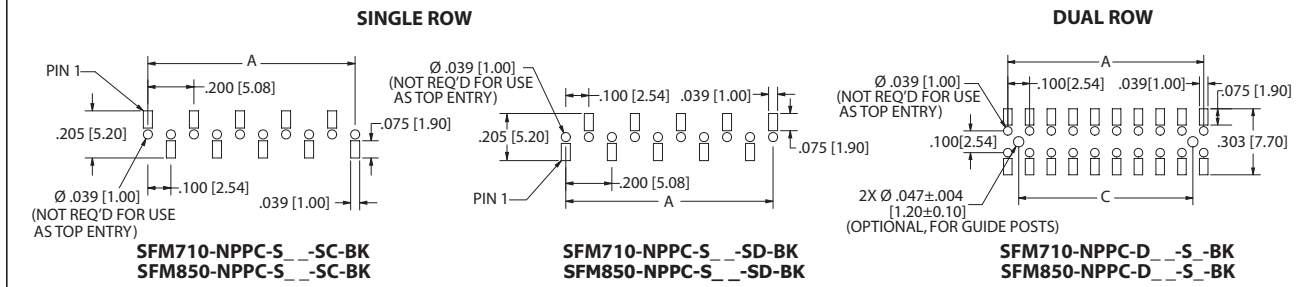
.100" [2.54 mm] Contact Centers, Top/Bottom Entry SMT Female Headers, SFM710/SFM850 Series

SPECIFICATIONS

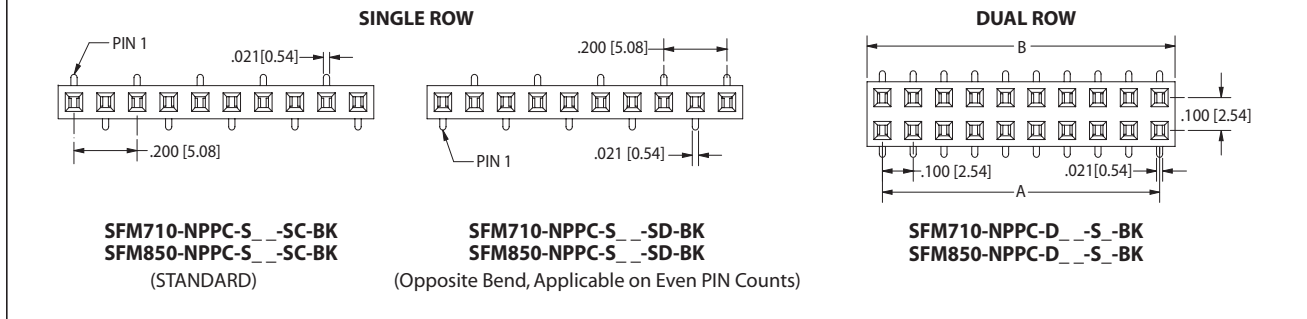
- Insulator Material: Nylon, UL 94V-0
- Contact Resistance: 20 milli Ohms Max.
- Current Rating: 3 Amps
- Dielectric With Standing: 1000 VAC
- Insulation Resistance: 5000 Megohms Min.
- Operating Temperature: -40°C to +105°C
- Processing Temperature: 230°C Max. for 60 seconds, (260°C Max. for 10 seconds)



RECOMMENDED PCB LAYOUT



DIMENSIONS Dimensions in [] are in millimeters, all others are in inches.



FOR SFM850 SINGLE ROW/DUAL ROW SERIES

NUMBER OF CONTACTS SINGLE/DUAL	A		B		C (DUAL ROW)	
	in	mm	in	mm	in	mm
02/04*	0.100	2.54	0.216	5.48	N/A	
03/06	0.200	5.08	0.316	8.02	0.100	2.54
04/08	0.300	7.62	0.416	10.56	0.200	5.08
05/10	0.400	10.16	0.516	13.10	0.300	7.62
06/12	0.500	12.70	0.616	15.64	0.400	10.16
07/14	0.600	15.24	0.716	18.18	0.500	12.70
08/16	0.700	17.78	0.816	20.72	0.600	15.24
09/18	0.800	20.32	0.916	23.26	0.700	17.78
10/20	0.900	22.86	1.016	25.80	0.800	20.32
11/22	1.000	25.40	1.116	28.34	0.900	22.86
12/24	1.100	27.94	1.216	30.88	1.000	25.40
13/26	1.200	30.48	1.316	33.42	1.100	27.94
14/28	1.300	33.02	1.416	35.96	1.200	30.48
15/30	1.400	35.56	1.516	38.50	1.300	33.02
16/32	1.500	38.10	1.616	41.04	1.400	35.56
17/34	1.600	40.64	1.716	43.58	1.500	38.10
18/36	1.700	43.18	1.816	46.12	1.600	40.64
19/38	1.800	45.72	1.916	48.66	1.700	43.18
20/40	1.900	48.26	2.016	51.20	1.800	45.72
21/42	2.000	50.80	2.116	53.74	1.900	48.26

NUMBER OF CONTACTS SINGLE/DUAL	A		B		C (DUAL ROW)	
	in	mm	in	mm	in	mm
22/44	2.100	53.34	2.216	56.28	2.000	50.80
23/46	2.200	55.88	2.316	58.82	2.100	53.34
24/48	2.300	58.42	2.416	61.36	2.200	55.88
25/50	2.400	60.96	2.516	63.90	2.300	58.42
26/52	2.500	63.50	2.616	66.44	2.400	60.96
27/54	2.600	66.04	2.716	68.98	2.500	63.50
28/56	2.700	68.58	2.816	71.52	2.600	66.04
29/58	2.800	71.12	2.916	74.06	2.700	68.58
30/60	2.900	73.66	3.016	76.60	2.800	71.12
31/62	3.000	76.20	3.116	79.14	2.900	73.66
32/64	3.100	78.74	3.216	81.68	3.000	76.20
33/66	3.200	81.28	3.316	84.22	3.100	78.74
34/68	3.300	83.82	3.416	86.76	3.200	81.28
35/70	3.400	86.36	3.516	89.30	3.300	83.82
36/72	3.500	88.90	3.616	91.84	3.400	86.36
37/74	3.600	91.44	3.716	94.38	3.500	88.90
38/76	3.700	93.98	3.816	96.92	3.600	91.44
39/78	3.800	96.52	3.916	99.46	3.700	93.98
40/80	3.900	99.06	4.016	102.00	3.800	96.52

*Not available with guide posts.

.100" [2.54 mm] Contact Centers, Top/Bottom Entry SMT Female Headers, SFM710/SFM850 Series

PART NUMBER OPTIONS

SFM710 - N P P C - D 02 - SM - BK

SERIES
 SFM710 = 7.10 mm Insulator Height
 SFM850 = 8.50 mm Insulator Height

INSULATOR MATERIAL
 N = Nylon

CONTACT MATERIAL
 P = Phosphor Bronze

CONTACT FINISH - RoHS Compliant
 P = Gold Flash Overall

CONTACT CENTERS
 C = .100" [2.54 mm]

COLOR
 BK = Black

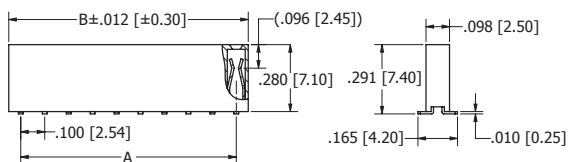
TERMINATION TYPE (See Opposite Page)
 SC = Surface Mount, Standard (Single Row)
 SD = Surface Mount, Opposite Bend, Applicable on Even Pin Counts (Single Row)
 SM = Surface Mount without Guide Posts (Dual Row)
 SP = Surface Mount with Guide Posts (Dual Row)

NUMBER OF CONTACT POSITIONS
 (Contact Per Row, 02 thru 40)

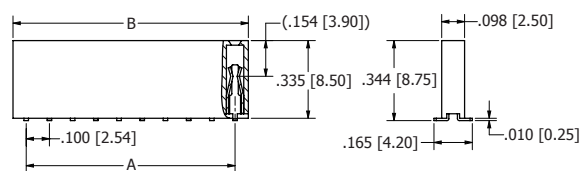
NUMBER OF ROWS
 S = Single
 D = Dual

DIMENSIONS Dimensions in [] are in millimeters, all others are in inches.

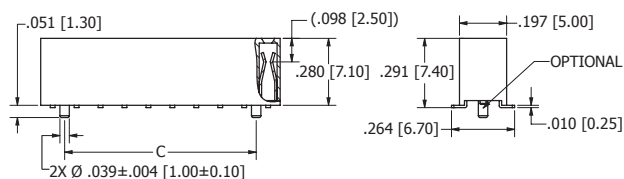
SFM710 Series Single Row



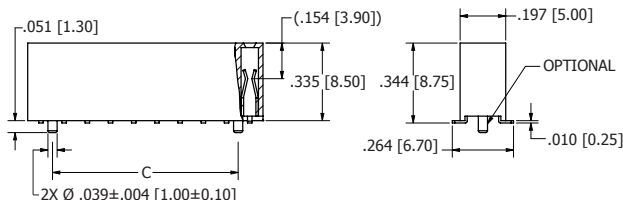
SFM850 Series Single Row



SFM710 Series Dual Row



SFM850 Series Dual Row



FOR SFM710 SINGLE ROW/DUAL ROW SERIES

NUMBER OF CONTACTS SINGLE/DUAL	A		B		C (DUAL ROW)	
	in	mm	in	mm	in	mm
02/04*	0.100	2.54	0.200	5.08	N/A	
03/06	0.200	5.08	0.300	7.62	0.100	2.54
04/08	0.300	7.62	0.400	10.16	0.200	5.08
05/10	0.400	10.16	0.500	12.70	0.300	7.62
06/12	0.500	12.70	0.600	15.24	0.400	10.16
07/14	0.600	15.24	0.700	17.78	0.500	12.70
08/16	0.700	17.78	0.800	20.32	0.600	15.24
09/18	0.800	20.32	0.900	22.86	0.700	17.78
10/20	0.900	22.86	1.000	25.40	0.800	20.32
11/22	1.000	25.40	1.100	27.94	0.900	22.86
12/24	1.100	27.94	1.200	30.48	1.000	25.40
13/26	1.200	30.48	1.300	33.02	1.100	27.94
14/28	1.300	33.02	1.400	35.56	1.200	30.48
15/30	1.400	35.56	1.500	38.10	1.300	33.02
16/32	1.500	38.10	1.600	40.64	1.400	35.56
17/34	1.600	40.64	1.700	43.18	1.500	38.10
18/36	1.700	43.18	1.800	45.72	1.600	40.64
19/38	1.800	45.72	1.900	48.26	1.700	43.18
20/40	1.900	48.26	2.000	50.80	1.800	45.72
21/42	2.000	50.80	2.100	53.34	1.900	48.26

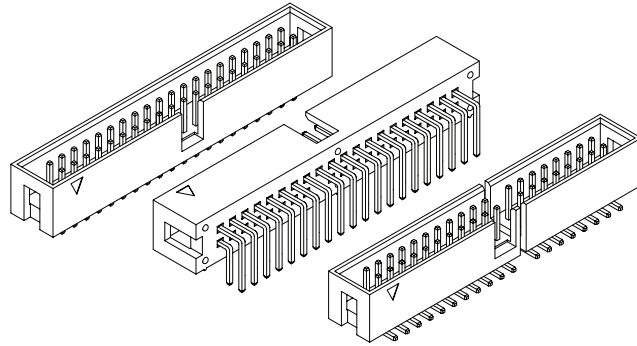
NUMBER OF CONTACTS SINGLE/DUAL	A		B		C (DUAL ROW)	
	in	mm	in	mm	in	mm
22/44	2.100	53.34	2.200	55.88	2.000	50.80
23/46	2.200	55.88	2.300	58.42	2.100	53.34
24/48	2.300	58.42	2.400	60.96	2.200	55.88
25/50	2.400	60.96	2.500	63.50	2.300	58.42
26/52	2.500	63.50	2.600	66.04	2.400	60.96
27/54	2.600	66.04	2.700	68.58	2.500	63.50
28/56	2.700	68.58	2.800	71.12	2.600	66.04
29/58	2.800	71.12	2.900	73.66	2.700	68.58
30/60	2.900	73.66	3.000	76.20	2.800	71.12
31/62	3.000	76.20	3.100	78.74	2.900	73.66
32/64	3.100	78.74	3.200	81.28	3.000	76.20
33/66	3.200	81.28	3.300	83.82	3.100	78.74
34/68	3.300	83.82	3.400	86.36	3.200	81.28
35/70	3.400	86.36	3.500	88.90	3.300	83.82
36/72	3.500	88.90	3.600	91.44	3.400	86.36
37/74	3.600	91.44	3.700	93.98	3.500	88.90
38/76	3.700	93.98	3.800	96.52	3.600	91.44
39/78	3.800	96.52	3.900	99.06	3.700	93.98
40/80	3.900	99.06	4.000	101.60	3.800	96.52

*Not available with guide posts.

.100" [2.54 mm] Contact Centers, Shrouded (Box) Headers, Straight/Right Angle/SMT - SBH11 Series Mates with SFH11 series, SFH210 series and SFH213 series

SPECIFICATIONS

- Centered Polarizing Notch
- Operating Temperature: -40°C to +105°C
- Processing Temperature: 230°C Max. for 60 seconds, (260°C Max. for 10 seconds)
- UL Flammability Rating: 94V-0
- Contact Resistance: 20 milli Ohms Max.
- Current Rating: 3 Amps
- Dielectric Withstanding: 1000 VAC
- Insulation Resistance: 5000 Megohms Min.



PART NUMBER OPTIONS

SBH11 - P B P C - D 10 - ST - BK

SERIES
SBH11 = Box Header, .100" [2.54 mm] Contact Centers by .100" [2.54 mm] Row Spacing

INSULATOR MATERIAL
P = PBT
N or G = Nylon

CONTACT MATERIAL
B = Brass

CONTACT FINISH - RoHS Compliant
P = Gold Flash Overall

CONTACT CENTERS
C = .100" [2.54 mm]

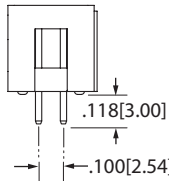
COLOR
BK = Black

TERMINATION TYPE
ST = Straight
RA = Right Angle
SM = Surface Mount
SP = Surface Mount with Guide Posts

NUMBER OF CONTACT POSITIONS (Pins per Row)
03 thru 08, 10, 12, 13, 15, 17, 20, 22, 25, 30, 32

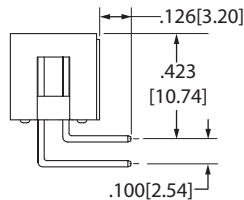
NUMBER OF ROWS
D = Dual Row

DIMENSIONS For complete drawings, go to www.sullincorp.com or e-mail techsupport@sullincorp.com Dimensions in [] are in millimeters, all others are in inches.



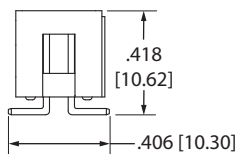
STRAIGHT (ST)

Example P/N: SBH11-PBPC-D20-ST-BK



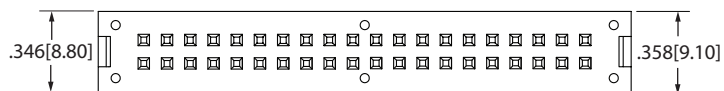
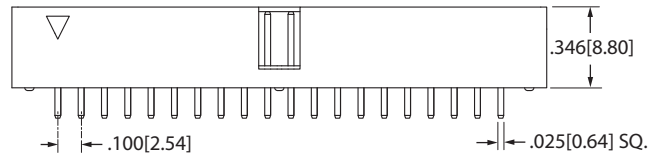
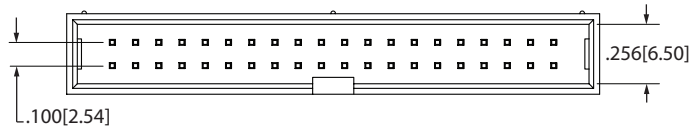
RIGHT ANGLE (RA)

Example P/N: SBH11-PBPC-D20-RA-BK



SURFACE MOUNT (SM)

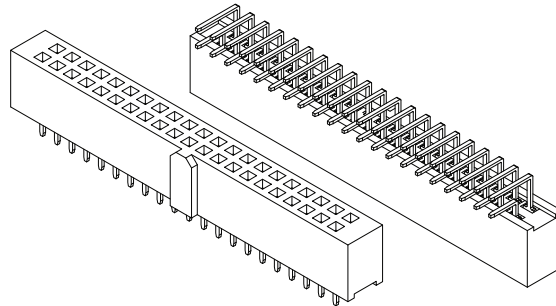
Example P/N: SBH11-NBPC-D20-SM-BK



.100" [2.54 mm] Contact Centers, Female Headers, Straight/Right Angle - SFH11 Series Mates with SBH11 series (See opposite page)

SPECIFICATIONS

- Centered Polarizing Key Optional
- Operating Temperature: -40°C to +105°C
- Processing Temperature: 230°C Max. for 60 seconds, (260°C Max. for 10 seconds)
- UL Flammability Rating: 94V-0
- Contact Resistance: 20 milli Ohms Max.
- Current Rating: 3 Amps
- Dielectric Withstanding: 1000 VAC
- Insulation Resistance: 5000 Megohms Min.



PART NUMBER OPTIONS

SFH11 - P P P C - D 10 - ST - BK - M181

SERIES

SFH11 = Female Header, .100" [2.54 mm] Contact Centers by .100" [2.54 mm] Row Spacing

INSULATOR MATERIAL

P = PBT
N = NYLON

CONTACT MATERIAL

P = Phosphor Bronze
B = Brass

CONTACT FINISH - RoHS Compliant

P = Gold Flash Overall
E = .000100" Pure Tin, Matte, Overall

CONTACT CENTERS

C = .100" [2.54 mm]

MODIFICATION (Omit for Standard)

M181 = Without Centered Polarizing Key

COLOR

BK = Black

TERMINATION TYPE (Opposite Page)

ST = Straight
RA = Right Angle

NUMBER OF CONTACT POSITIONS

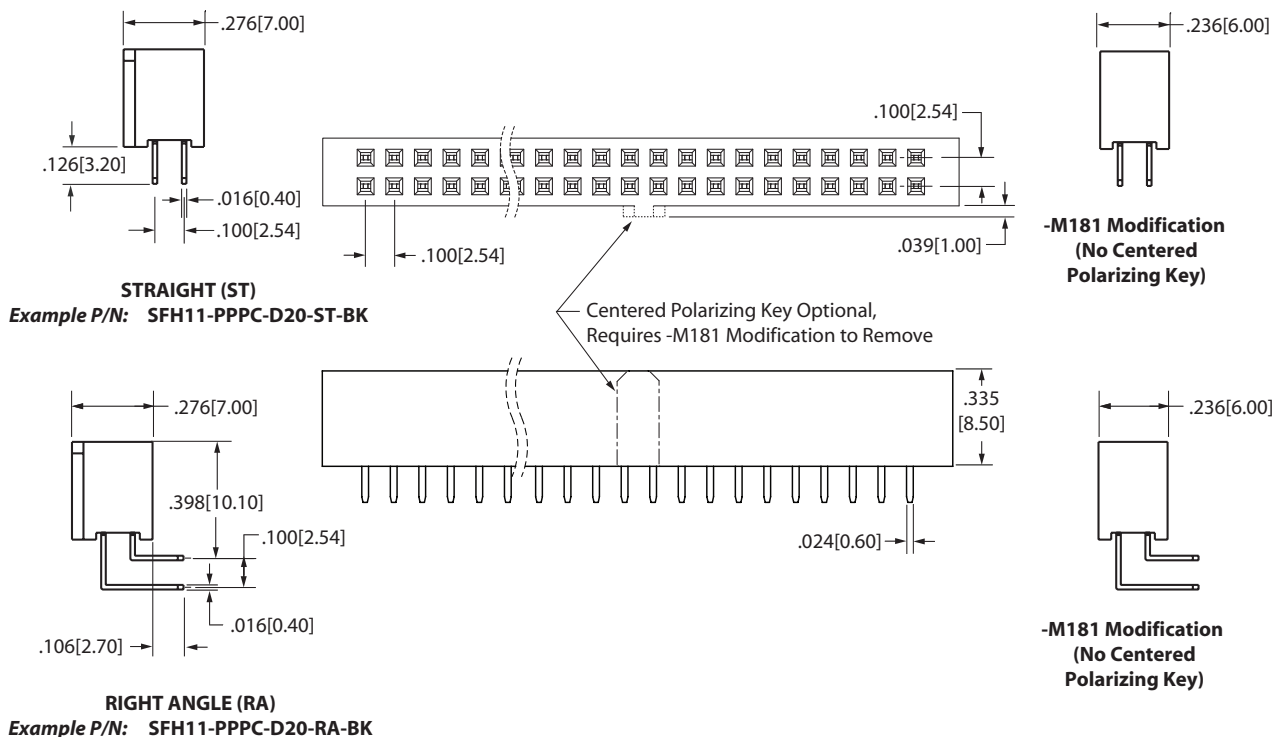
03 thru 08,10,12, 13, 15,17, 20, 25, 30, 32

NUMBER OF ROWS

D = Dual Row

DIMENSIONS For complete drawings, go to www.sullinscorp.com or e-mail techsupport@sullinscorp.com

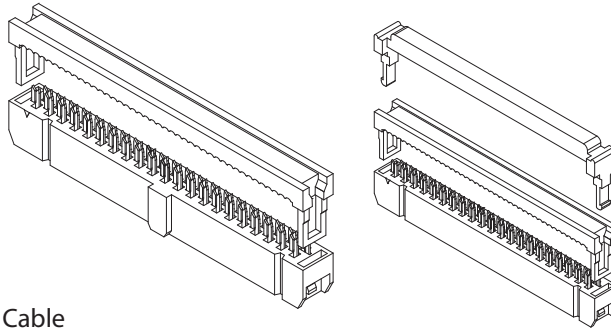
Dimensions in [] are in millimeters, all others are in inches.



.100" [2.54 mm] Contact Centers, IDC Socket, Insulation Displacement- SFH Series With or Without Strain Relief Mates with SBH11 series

SPECIFICATIONS

- Centered Polarizing Key Optional
- Operating Temperature: -40°C to +105°C
- UL Flammability Rating: 94V-0
- Current Rating: 1 Amp
- Dielectric Withstanding: 500 VAC
- Insulation Resistance: 3,000 Megohms
- For .050" [1.27 mm] Pitch AWG 26-28 Flat Ribbon Cable



PART NUMBER OPTIONS

SFH210 - P P P C - D 10 - ID - BK - Mxxx

SERIES

SFH210 = IDC Socket, Without Strain Relief
SFH213 = IDC Socket, With Strain Relief

INSULATOR MATERIAL

P = PBT

CONTACT MATERIAL

P = Phosphor Bronze

CONTACT FINISH - RoHS Compliant

P = Gold Flash Overall
E = .000100" Pure Tin, Matte, Overall
V = Gold Flash on Contact Surface, Nickel on Termination
J = .000015" Gold on Contact Surface, Gold Flash on Termination
K = .000015" Gold on Contact Surface, Nickel on Termination

MODIFICATION (Omit for Standard)

M181 = Without Centered Polarizing Key
M207 = With Polarizing Key, With Mylar in Tape & Reel (only for SFH210)
M208 = Without Polarizing Key, With Mylar in Tape and Reel (only for SFH210)

COLOR

BK = Black

TERMINATION TYPE

ID = Insulation Displacement

NUMBER OF CONTACT POSITIONS

03 thru 13, 15, 17, 20, 25, 30, 32

*M208 and M207 not available in 30 or 32

NUMBER OF ROWS

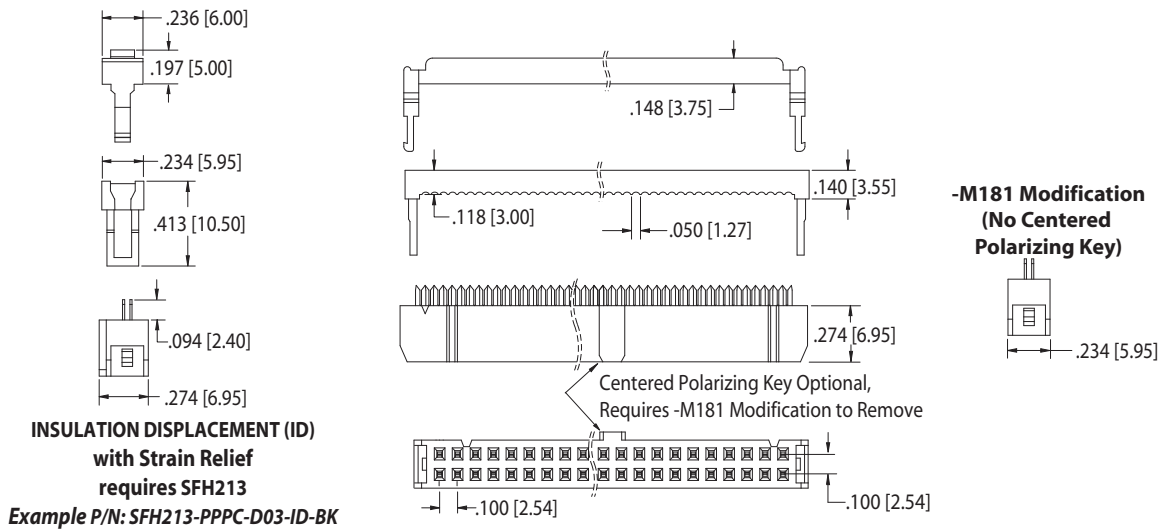
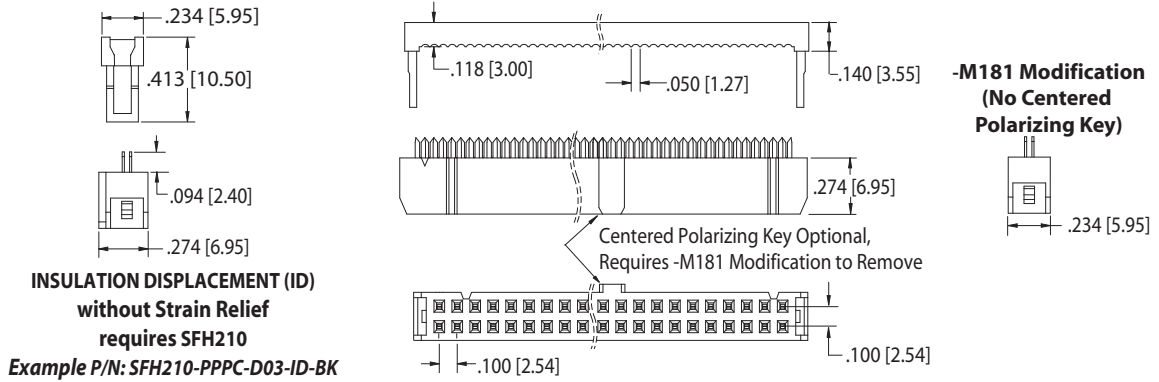
D = Dual Row

CONTACT CENTERS

C = .100" [2.54 mm]

DIMENSIONS For complete drawings, go to www.sullinscorp.com or e-mail techsupport@sullinscorp.com

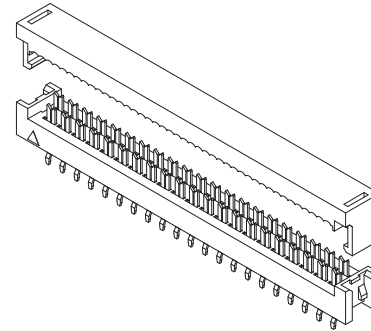
Dimensions in [] are in millimeters, all others are in inches.



.100" [2.54 mm] Contact Centers, IDC Dip Plug Straight - SIP110 Series

SPECIFICATIONS

- Operating Temperature: -40°C to +105°C
- Current Rating: 1 Amp
- Dielectric Withstanding: 1,000 VAC
- Insulation Resistance: 5,000 Megohms
- For .050" [1.27 mm] Pitch AWG 26-28 Flat Ribbon Cable
- UL Flammability Rating: 94V-0

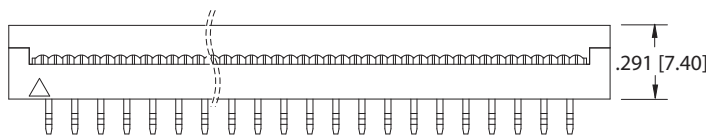


PART NUMBER OPTIONS

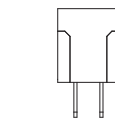
SIP110 - P P P C - D 10 - ST - BK

SERIES	SIP110 = IDC Dip Plug	COLOR	BK = Black
INSULATOR MATERIAL	P = PBT	TERMINATION TYPE	ST = Straight SK = Straight with Kink
CONTACT MATERIAL	P = Phosphor Bronze	NUMBER OF CONTACT POSITIONS	03 thru 10, 12, 13, 14, 15, 17, 20, 25, 30, 32
CONTACT FINISH - RoHS Compliant	P = Gold Flash Overall E = .000100" Pure Tin, Matte, Overall V = Gold Flash on Contact Surface, Nickel on Termination J = .000015" Gold on Contact Surface, Gold Flash on Termination K = .000015" Gold on Contact Surface, Nickel on Termination	NUMBER OF ROWS	D = Dual Row
		CONTACT CENTERS	C = .100" [2.54 mm]

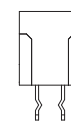
DIMENSIONS For complete drawings, go to www.sullincorp.com or e-mail techsupport@sullincorp.com Dimensions in [] are in millimeters, all others are in inches.



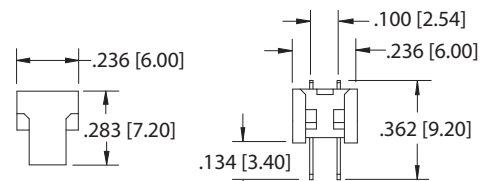
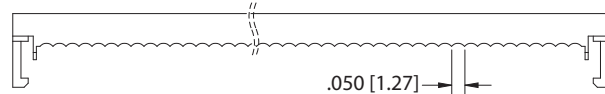
ASSEMBLED FRONT VIEW



STRAIGHT (ST)

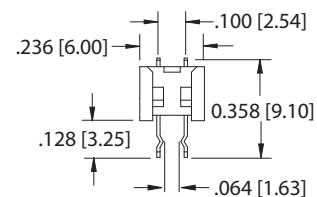
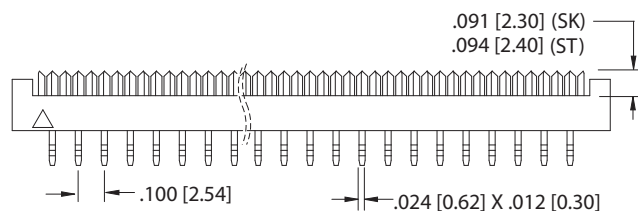


WITH KINK (SK)



STRAIGHT (ST)

Example P/N: SIP110-PP_C-D10-ST-BK



WITH KINK (SK)

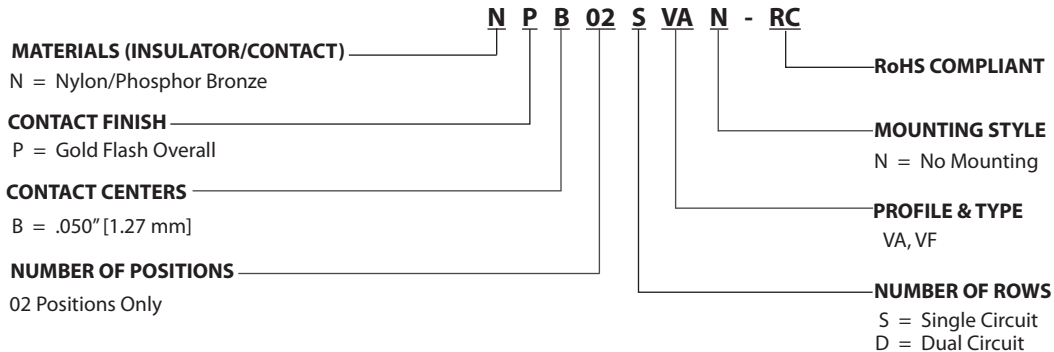
Example P/N: SIP110-PP_C-D15-SK-BK

.050" [1.27 mm] Contact Centers, Jumpers Closed Top

SPECIFICATIONS

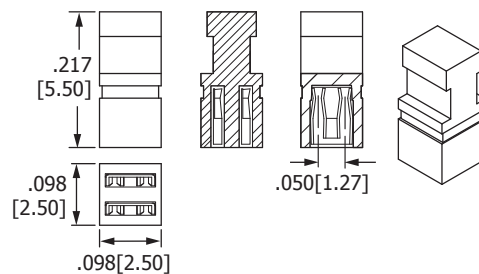
- Insulator Material: Nylon
- Contact Material: Phosphor Bronze
- Plating: Overall Gold Flash
- 1 Amp current rating
- UL Flammability Rating: 94V-0/94V-2
- Dual Beam Contacts

PART NUMBER OPTIONS



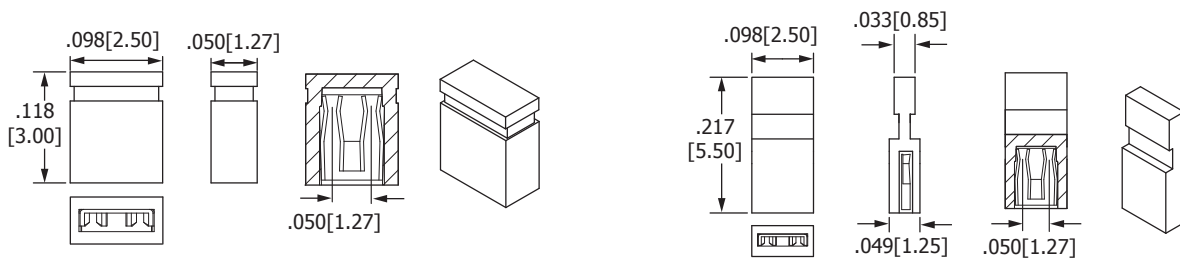
DIMENSIONS Dimensions in [] are in millimeters, all others are in inches.

CLOSED TOP - DUAL CIRCUIT



NPB02DVFN-RC

CLOSED TOP - SINGLE CIRCUIT



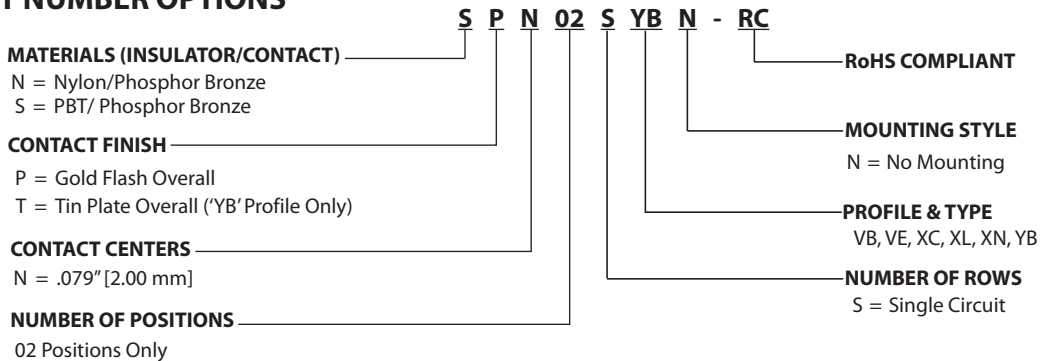
NPB02SVAN-RC

NPB02SVFN-RC

SPECIFICATIONS

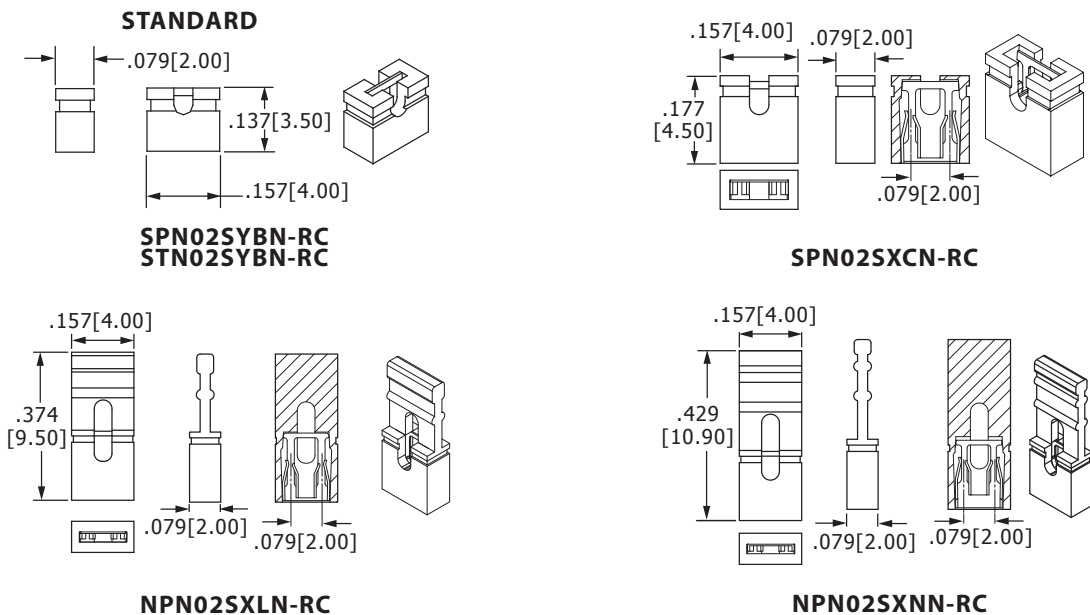
- Insulator Material: Nylon/PBT
- Contact Material: Phosphor Bronze
- Plating: Gold Flash Overall
- 1, 2 or 3 Amps current rating
- UL Flammability Rating: 94V-0/94V-2
- Dual Beam Contacts

PART NUMBER OPTIONS

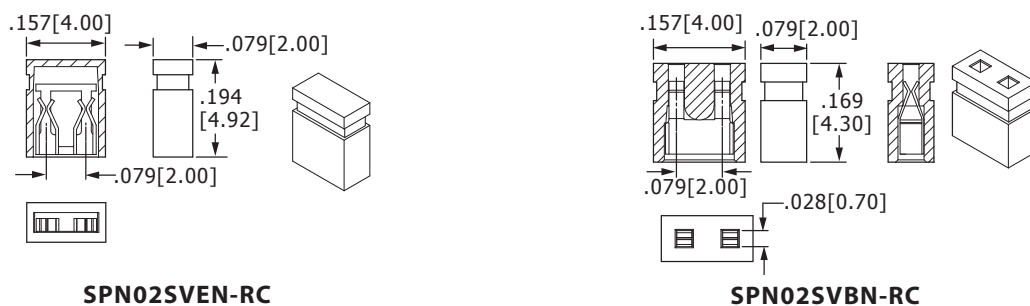


DIMENSIONS Dimensions in [] are in millimeters, all others are in inches.

OPEN TOP - SINGLE CIRCUIT



CLOSED TOP - SINGLE CIRCUIT



.100" [2.54 mm] Contact Centers, Jumpers Open / Closed Top

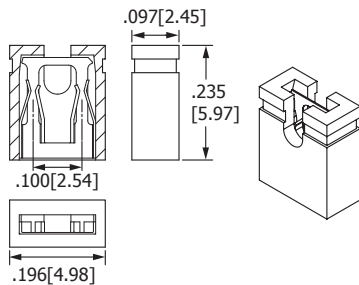
SPECIFICATIONS

- Insulator Material: Nylon, PBT, PA9T, PPS, PEEK
- Contact Material: Phosphor Bronze, Brass, Beryllium Copper, Beryllium Nickel, Spinodal
- Plating: Gold Flash Overall
- 3 Amps current rating
- UL Flammability Rating: 94V-0/94V-2
- Dual Beam Contacts

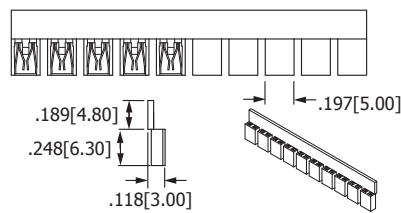
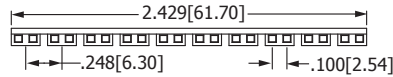
DIMENSIONS

Dimensions in [] are in millimeters, all others are in inches.

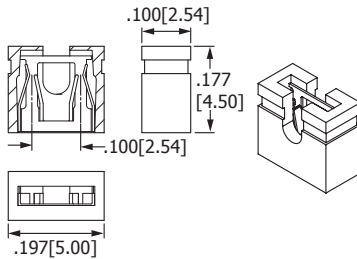
OPEN TOP - SINGLE CIRCUIT



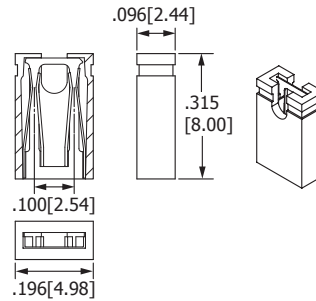
QPC02SXGN-RC



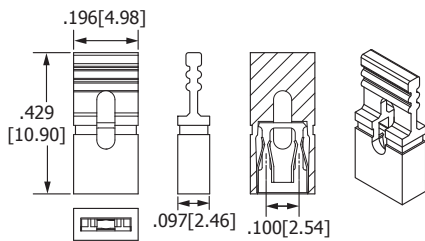
QPC02SXHN-M290RC (Strip of 10)



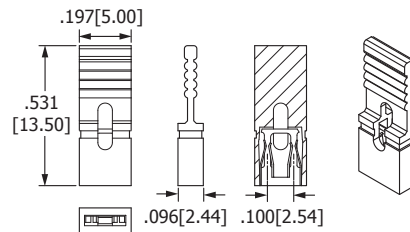
SPC02SXCN-RC



SPC02SXIN-RC

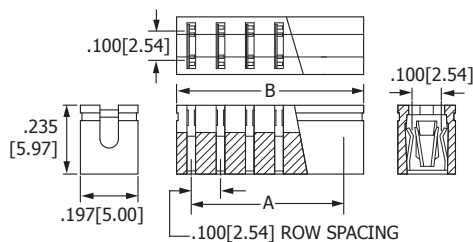


NPC02SXNN-RC
High Temperature Options Available
Example P/N: ADC02SXNN-S328



NPC02SXON-RC

OPEN TOP - CHOICE OF CIRCUITS



QPC02_XGN-RC

PART NUMBER	CIRCUITS	A		B	
		in	mm	in	mm
QPC02DXGN-RC	2	0.100	2.54	0.200	5.08
QPC02TXGN-RC	3	0.200	5.08	0.300	7.62
QPC02QXGN-RC	4	0.300	7.62	0.400	10.16
QPC02UXGN-RC	5	0.400	10.16	0.500	12.70
QPC02EXGN-RC	6	0.500	12.70	0.600	15.24
QPC02PXGN-RC	7	0.600	15.24	0.700	17.78
QPC02CXGN-RC	8	0.700	17.78	0.800	20.32
QPC02NXGN-RC	9	0.800	20.32	0.900	22.86
QPC02AXGN-RC	10	0.900	22.86	1.000	25.40
QPC02RXGN-RC	13	1.200	30.48	1.300	33.02

**.100" [2.54 mm] Contact Centers, Jumpers
Open / Closed Top**

PART NUMBER OPTIONS

MATERIALS (INSULATOR/CONTACT)

- N = Nylon/Phosphor Bronze
- S = PBT/Phosphor Bronze
- Q = PBT/Brass

High Temperature Options

(Available for 'XN' profile only)

- A = Brown PPS/Beryllium Copper
Operating Temperature: -65°C to +150°C
(Requires -S328 modification code)
- J = Black PA9T/Beryllium Copper
Operating Temperature: -65°C to +150°C
- M = White PA9T/Beryllium Copper
Operating Temperature: -65°C to +150°C
- F = Green PPS/Spinodal
Operating Temperature: -65°C to +200°C
- W = Tan PEEK/Beryllium Nickel
Operating Temperature: -65°C to +250°C

CONTACT FINISH - RoHS Compliant

- P = Gold Flash Overall (Material codes 'N', 'S', and 'Q' only)
- T = Tin Plate Overall ('YA' Profile only, see below)
- S = .000010" Gold Overall ('YA' Profile or high temperature only)
- D = .000030" Gold Overall (High temperature materials only)

CONTACT CENTERS

- C = .100" [2.54 mm]

NUMBER OF POSITIONS

- 02 Positions Only

S P C 02 S VD N - RC

MODIFICATION CODE

- RC (Omit for 'YA' profile)
- M290RC = Strip of 10 jumpers
(QPC02SXHN-M290RC only)

High Temperature Options

- Omit -RC
- S328 = Brown PPS (Material code 'A' only)

MOUNTING STYLE

- N = No Mounting

PROFILE & TYPE

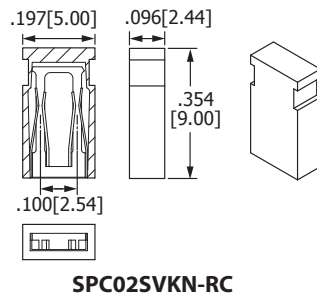
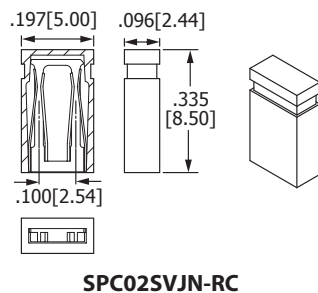
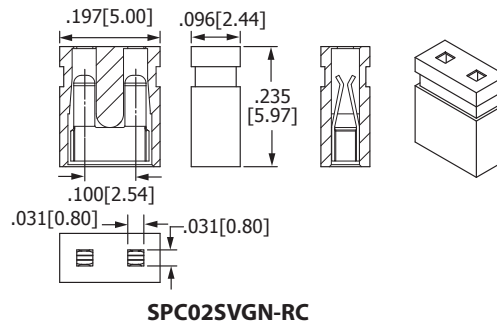
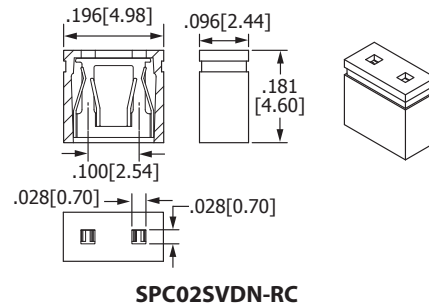
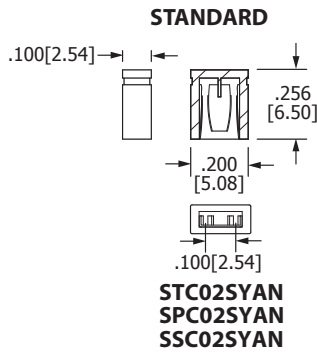
- VD, VG, VJ, VK, XC, XG, XH, XI, XN, XO, YA

NUMBER OF ROWS

- S = 1 Circuit
- D = 2 Circuits
- T = 3 Circuits
- Q = 4 Circuits
- U = 5 Circuits
- E = 6 Circuits
- P = 7 Circuits
- C = 8 Circuits
- N = 9 Circuits
- A = 10 Circuits
- R = 13 Circuits

DIMENSIONS Dimensions in [] are in millimeters, all others are in inches.

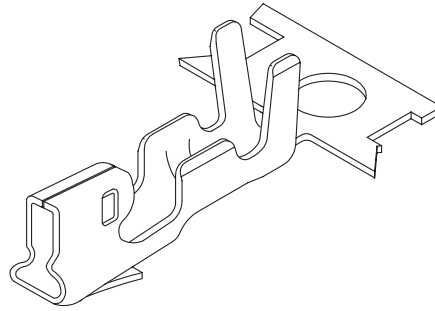
CLOSED TOP - SINGLE CIRCUIT



SWT201 Series Crimp Terminal

SPECIFICATIONS

- Material: Phosphor Bronze
- Plating: See Part Number Options
- Contact Resistance: 20 milli Ohms Max
- Current Rating: 1 Amp
- Wire Range: AWG #24 - #28
- Insulation O.D.: Ø1.20mm ~ Ø1.50mm
- Quantity Per Reel = 10,000 Pieces
- Used in SWH201 Series Housing



PART NUMBER OPTIONS

SWT201-UPTN-S01-UU-UU

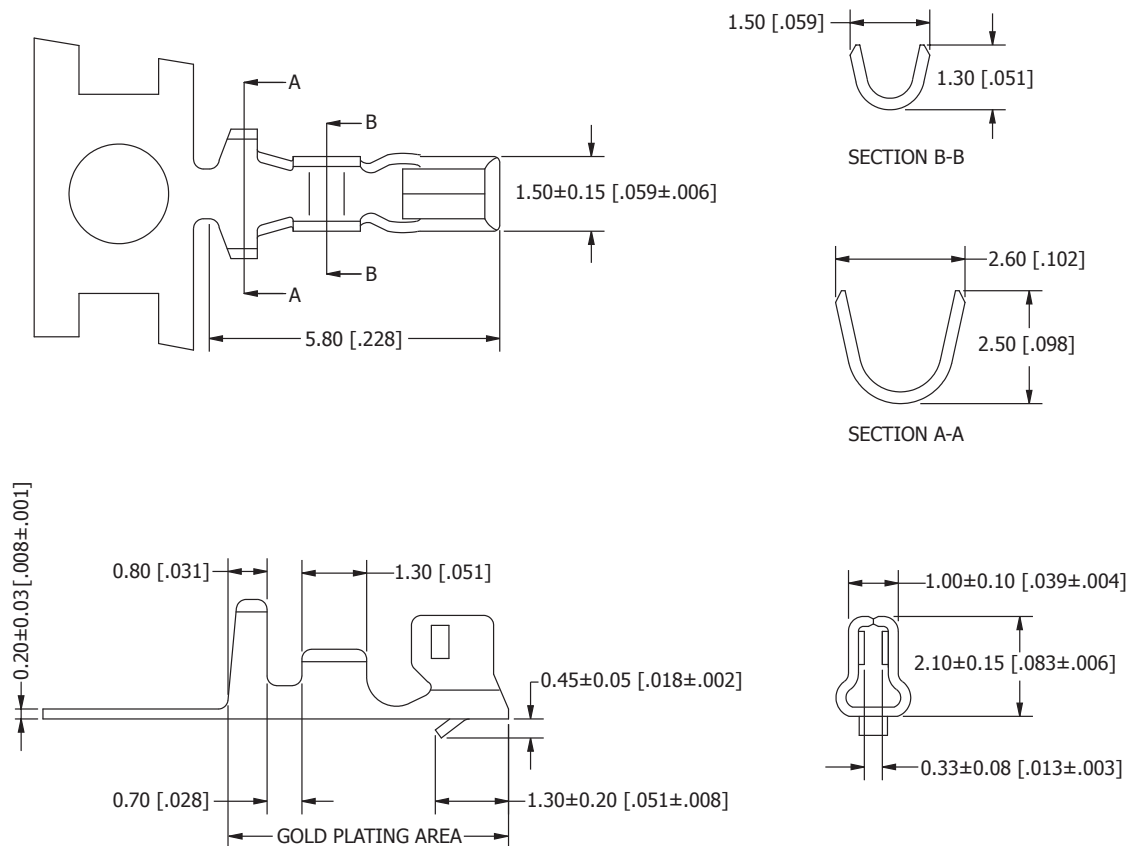
CONTACT FINISH - RoHS Compliant

T = .000015" Min Nickel Underplate, .000040" Min Pure Tin, Bright Overall

P = .000040" Min Nickel Underplate, Gold Flash Overall

DIMENSIONS

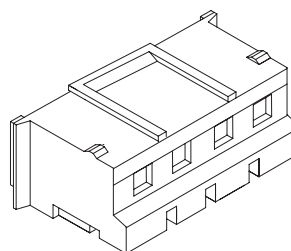
Dimensions in [] are in inches, all others are in millimeters.



SWH201 Series Housing 2.00 mm [.079"] Contact Centers

SPECIFICATIONS

- Insulator Material: Nylon, UL 94V-0 Color: White
- Dielectric Withstanding Voltage: 800 VAC
- Insulator Resistance: 1000 Megohms Minimum
- Operating Temperature: -25°C to +85°C
- Voltage Rating: 125 VAC/DC
- Suitable for SWH201 Series Terminal
- Mates with SWR201 Series Single Row Wafer



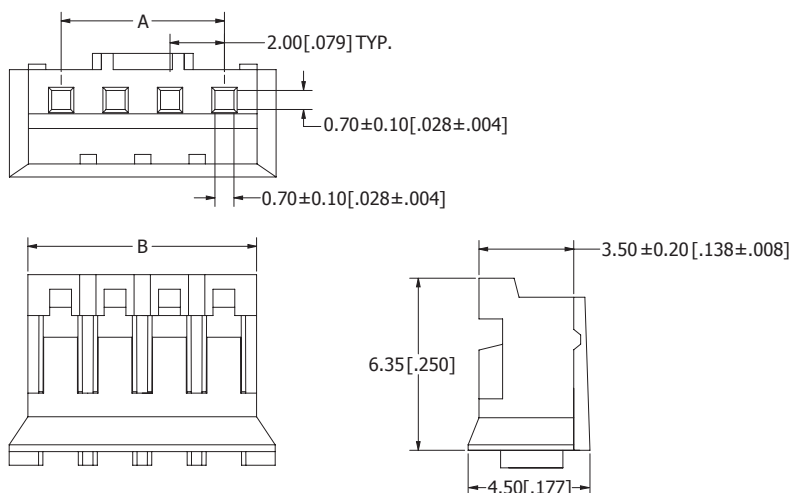
PART NUMBER OPTIONS

SWH201-NULN-S16-UU-WH

NUMBER OF POSITIONS
02 thru 16
See Chart Below

DIMENSIONS

Dimensions in [] are in inches, all others are in millimeters.

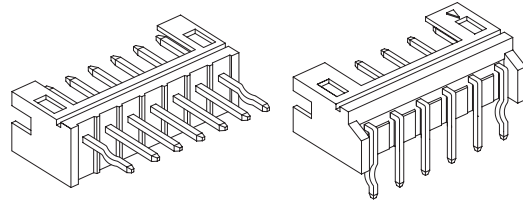


PART NUMBER	POSITIONS/ CONTACTS	A		B	
		mm	in	mm	in
SWH201-NULN-S02-UU-WH	02/02	2.00	0.079	4.40	0.173
SWH201-NULN-S03-UU-WH	03/03	4.00	0.157	6.40	0.252
SWH201-NULN-S04-UU-WH	04/04	6.00	0.236	8.40	0.331
SWH201-NULN-S05-UU-WH	05/05	8.00	0.315	10.40	0.409
SWH201-NULN-S06-UU-WH	06/06	10.00	0.394	12.40	0.488
SWH201-NULN-S07-UU-WH	07/07	12.00	0.472	14.40	0.567
SWH201-NULN-S08-UU-WH	08/08	14.00	0.551	16.40	0.646
SWH201-NULN-S09-UU-WH	09/09	16.00	0.630	18.40	0.724
SWH201-NULN-S10-UU-WH	10/10	18.00	0.709	20.40	0.803
SWH201-NULN-S11-UU-WH	11/11	20.00	0.787	22.40	0.882
SWH201-NULN-S12-UU-WH	12/12	22.00	0.866	24.40	0.961
SWH201-NULN-S13-UU-WH	13/13	24.00	0.945	26.40	1.039
SWH201-NULN-S14-UU-WH	14/14	26.00	1.024	28.40	1.118
SWH201-NULN-S15-UU-WH	15/15	28.00	1.102	30.40	1.197
SWH201-NULN-S16-UU-WH	16/16	30.00	1.181	32.40	1.276

SWR201 Series Single Row Wafer 2.0 mm [.079"] Contact Centers, Straight/Right Angle

SPECIFICATIONS

- Insulator Material: Nylon, UL 94V-0 Color: White
- Contact Material: Brass
- Contact Resistance: 20 milli Ohms Max
- Contact Plating: .000020" Min. Nickel Underplate, Pure Tin, Bright Overall
- Current Rating: 1 Amp
- Dielectric Withstanding Voltage: 800 VAC
- Insulator Resistance: 1000 Megohms Minimum
- Operating Temperature: -25°C to +85°C
- Voltage Rating: 125 VAC/DC
- Mates with SWH201 Series Single Row Housing



PART NUMBER OPTIONS

SWR201-NRTN-S16-SA-WH

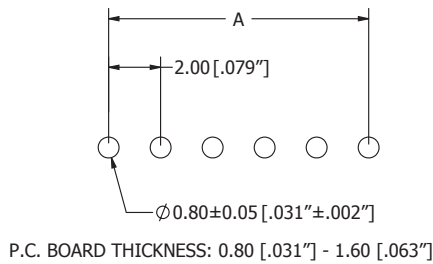
NUMBER OF POSITIONS

02 thru 16
See Chart Below

TERMINATION TYPE

SA = End Pins Kink Right
RL = Right Angle With Kinked End Pins

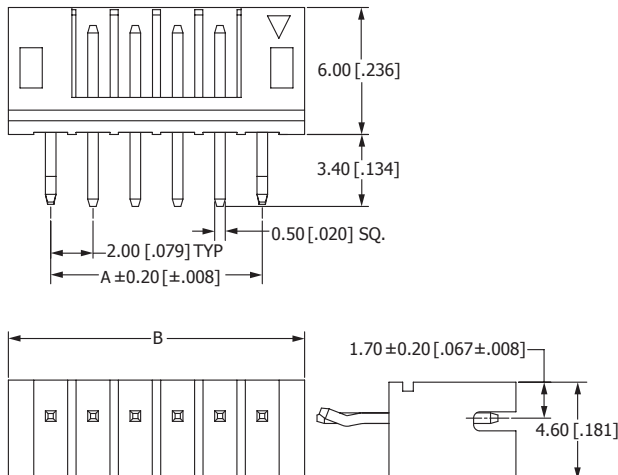
PCB LAYOUT



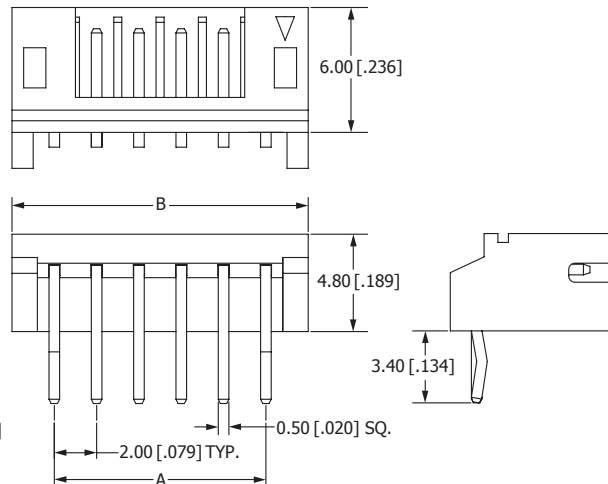
PART NUMBER	POSITIONS/ CONTACTS	A		B	
		mm	in	mm	in
SWR201-NRTN-S02-_-WH	02/02	2.00	0.079	5.90	0.232
SWR201-NRTN-S03-_-WH	03/03	4.00	0.157	7.90	0.311
SWR201-NRTN-S04-_-WH	04/04	6.00	0.236	9.90	0.390
SWR201-NRTN-S05-_-WH	05/05	8.00	0.315	11.90	0.469
SWR201-NRTN-S06-_-WH	06/06	10.00	0.394	13.90	0.547
SWR201-NRTN-S07-_-WH	07/07	12.00	0.472	15.90	0.626
SWR201-NRTN-S08-_-WH	08/08	14.00	0.551	17.90	0.705
SWR201-NRTN-S09-_-WH	09/09	16.00	0.630	19.90	0.783
SWR201-NRTN-S10-_-WH	10/10	18.00	0.709	21.90	0.862
SWR201-NRTN-S11-_-WH	11/11	20.00	0.787	23.90	0.941
SWR201-NRTN-S12-_-WH	12/12	22.00	0.866	25.90	1.020
SWR201-NRTN-S13-_-WH	13/13	24.00	0.945	27.90	1.098
SWR201-NRTN-S14-_-WH	14/14	26.00	1.024	29.90	1.177
SWR201-NRTN-S15-_-WH	15/15	28.00	1.102	31.90	1.256
SWR201-NRTN-S16-_-WH	16/16	30.00	1.181	33.90	1.335

DIMENSIONS Dimensions in [] are in inches, all others are in millimeters.

SWR201-NRTN-S_-SA-WH



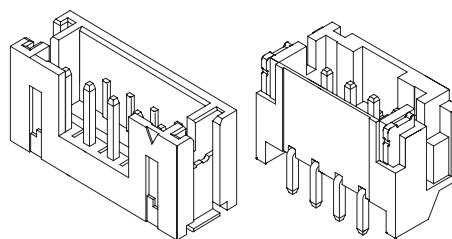
SWR201-NRTN-S_-RL-WH



SWR201 Series Single Row Wafer 2.00 mm [.079"] Contact Centers, SMT

SPECIFICATIONS

- Insulator Material: Nylon, UL 94V-0 Color: Beige
- Contact Material: Brass
- Contact Resistance: 20 milli Ohms Max
- Contact Plating: .00020" Min. Nickel Underplate, Pure Tin, Bright Overall
- Current Rating: 1 Amp
- Dielectric Withstanding Voltage: 800 VAC
- Insulator Resistance: 1000 Megohms Minimum
- Operating Temperature: -25°C to +85°C
- Voltage Rating: 125 VAC/DC
- Mates with SWH201 Series Single Row Housing



PART NUMBER OPTIONS

SWR201-NRTN-S16-SM-BG

NUMBER OF POSITIONS

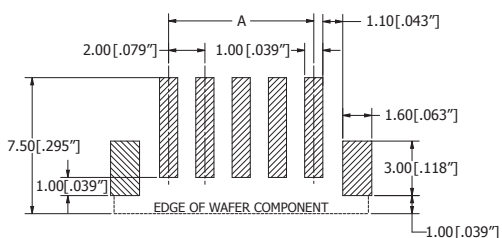
02 thru 16
See Chart Below

TERMINATION TYPE

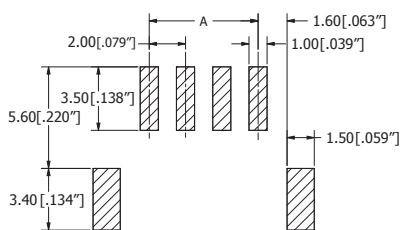
SM = Surface Mount
HM = Horizontal Surface Mount

PCB LAYOUT

SWR201-NRTN-S__-SM-BG



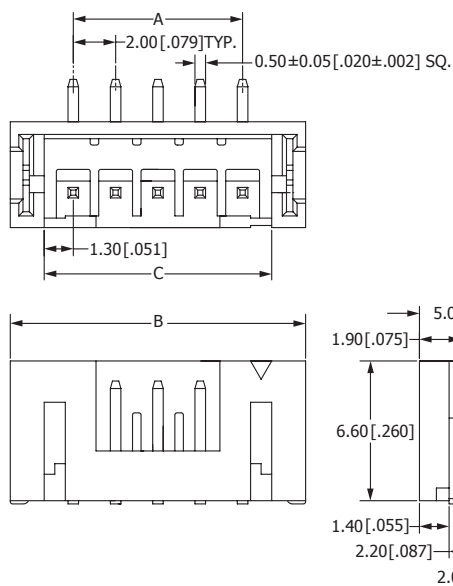
SWR201-NRTN-S__-HM-BG



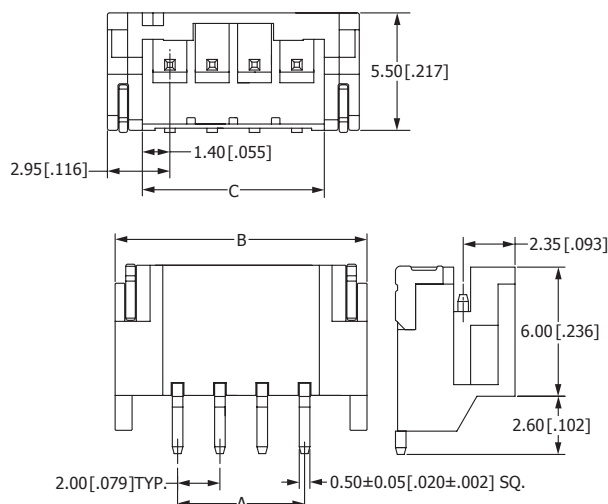
PART NUMBER	POSITIONS/ CONTACTS	A		B		C (SM)		C (HM)	
		mm	in	mm	in	mm	in	mm	in
SWR201-NRTN-S02-__-BG	02/02	2.00	0.079	8.00	0.315	4.60	0.181	4.80	0.189
SWR201-NRTN-S03-__-BG	03/03	4.00	0.157	10.00	0.394	6.60	0.260	6.80	0.268
SWR201-NRTN-S04-__-BG	04/04	6.00	0.236	12.00	0.472	8.60	0.339	8.80	0.346
SWR201-NRTN-S05-__-BG	05/05	8.00	0.315	14.00	0.551	10.60	0.417	10.80	0.425
SWR201-NRTN-S06-__-BG	06/06	10.00	0.394	16.00	0.630	12.60	0.496	12.80	0.504
SWR201-NRTN-S07-__-BG	07/07	12.00	0.472	18.00	0.709	14.60	0.575	14.80	0.583
SWR201-NRTN-S08-__-BG	08/08	14.00	0.551	20.00	0.787	16.60	0.654	16.80	0.661
SWR201-NRTN-S09-__-BG	09/09	16.00	0.630	22.00	0.866	18.60	0.732	18.80	0.740
SWR201-NRTN-S10-__-BG	10/10	18.00	0.709	24.00	0.945	20.60	0.811	20.80	0.819
SWR201-NRTN-S11-__-BG	11/11	20.00	0.787	26.00	1.024	22.60	0.890	22.80	0.898
SWR201-NRTN-S12-__-BG	12/12	22.00	0.866	28.00	1.102	24.60	0.969	24.80	0.976
SWR201-NRTN-S13-__-BG	13/13	24.00	0.945	30.00	1.181	26.60	1.047	26.80	1.055
SWR201-NRTN-S14-__-BG	14/14	26.00	1.024	32.00	1.260	28.60	1.126	28.80	1.134
SWR201-NRTN-S15-__-BG	15/15	28.00	1.102	34.00	1.339	30.60	1.205	30.80	1.213
SWR201-NRTN-S16-__-BG	16/16	30.00	1.181	36.00	1.417	32.60	1.283	32.80	1.291

DIMENSIONS Dimensions in [] are in inches, all others are in millimeters.

SWR201-NRTN-S__-SM-BG



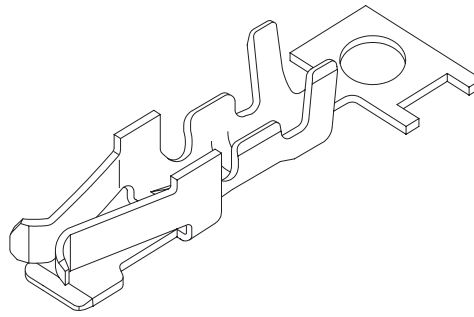
SWR201-NRTN-S__-HM-BG



SWT204 Series Crimp Terminal

SPECIFICATIONS

- Material: Phosphor Bronze
- Plating: See Part Number Options
- Contact Resistance: 10 milli Ohms Max
- Current Rating: 3 Amps
- Wire Range: AWG #22 - #26
- Insulation O.D.: Ø1.35mm ~ Ø1.70mm
- Quantity Per Reel = 10,000 Pieces
- Used In SWH204 Series Housing



PART NUMBER OPTIONS

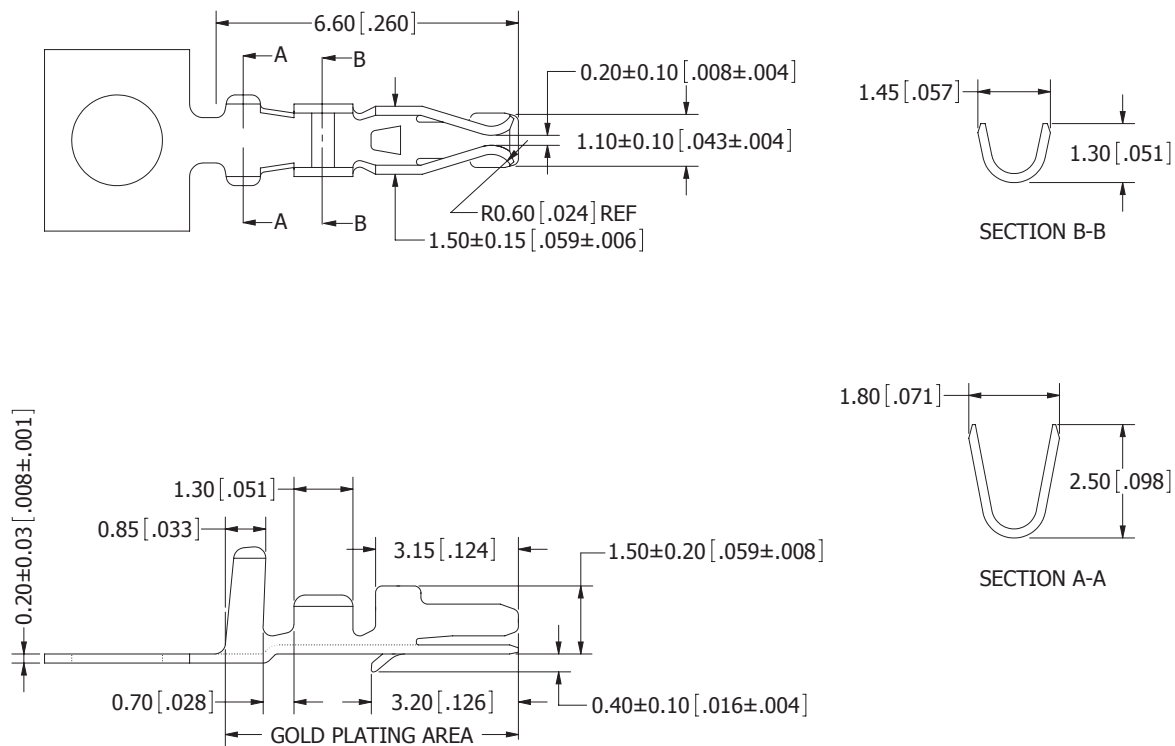
SWT204-UPTN-S01-UU-UU

CONTACT FINISH - RoHS Compliant

T = .000015" Min Nickel Underplate, .000040" Min Pure Tin, Bright Overall
 P = .000040" Min Nickel Underplate, Gold Flash Overall

DIMENSIONS

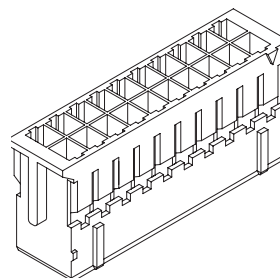
Dimensions in [] are in inches, all others are in millimeters.



SWH204 Series Housing 2.00 mm [.079"] Contact Centers

SPECIFICATIONS

- Insulator Material: Nylon, UL 94V-0 Color: White
- Dielectric Withstanding Voltage: 800 VAC
- Insulator Resistance: 1000 Megohms Minimum
- Operating Temperature: -25°C to +85°C
- Voltage Rating: 50 VAC/DC
- Suitable for SWT204 Series Terminal
- Mates with SWR204 Series Dual Row Wafer



PART NUMBER OPTIONS

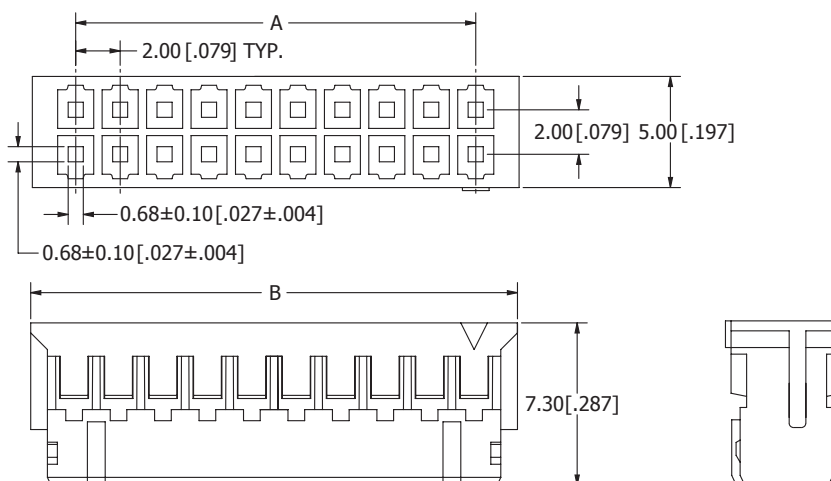
SWH204-NULN-D16-UU-WH

NUMBER OF POSITIONS

02 thru 17 & 20
See Chart Below

DIMENSIONS

Dimensions in [] are in inches, all others are in millimeters.

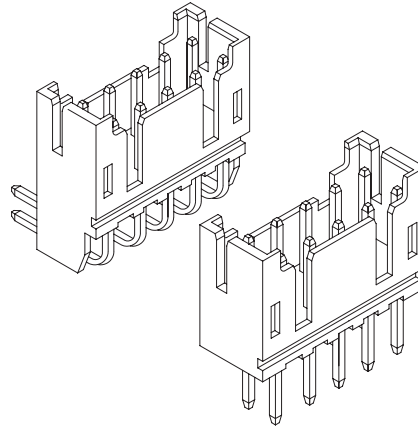


PART NUMBER	POSITIONS/ CONTACTS	A		B	
		mm	in	mm	in
SWH204-NULN-D02-UU-WH	02/04	2.00	0.079	5.90	0.232
SWH204-NULN-D03-UU-WH	03/06	4.00	0.157	7.90	0.311
SWH204-NULN-D04-UU-WH	04/08	6.00	0.236	9.90	0.390
SWH204-NULN-D05-UU-WH	05/10	8.00	0.315	11.90	0.469
SWH204-NULN-D06-UU-WH	06/12	10.00	0.394	13.90	0.547
SWH204-NULN-D07-UU-WH	07/14	12.00	0.472	15.90	0.626
SWH204-NULN-D08-UU-WH	08/16	14.00	0.551	17.90	0.705
SWH204-NULN-D09-UU-WH	09/18	16.00	0.630	19.90	0.783
SWH204-NULN-D10-UU-WH	10/20	18.00	0.709	21.90	0.862
SWH204-NULN-D11-UU-WH	11/22	20.00	0.787	23.90	0.941
SWH204-NULN-D12-UU-WH	12/24	22.00	0.866	25.90	1.020
SWH204-NULN-D13-UU-WH	13/26	24.00	0.945	27.90	1.098
SWH204-NULN-D14-UU-WH	14/28	26.00	1.024	29.90	1.177
SWH204-NULN-D15-UU-WH	15/30	28.00	1.102	31.90	1.256
SWH204-NULN-D16-UU-WH	16/32	30.00	1.181	33.90	1.335
SWH204-NULN-D17-UU-WH	17/34	32.00	1.260	35.90	1.413
SWH204-NULN-D20-UU-WH	20/40	38.00	1.496	41.90	1.650

SWR204 Series Dual Row Wafer 2.0 mm [.079"] Contact Centers, Straight/Right Angle

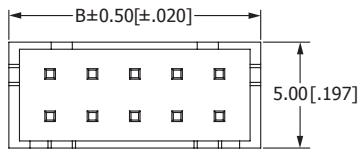
SPECIFICATIONS

- Insulator Material: Nylon, UL 94V-0 Color: Natural
- Contact Material: Brass
- Contact Resistance: 10 milli Ohms Max
- Contact Plating: .000020" Min. Nickel Underplate, Pure Tin, Bright Overall
- Current Rating: 3 Amps
- Dielectric Withstanding Voltage: 800 VAC
- Insulator Resistance: 1000 Megohms Minimum
- Operating Temperature: -25°C to +85°C
- Voltage Rating: 50 VAC/DC
- Mates with SWH204 Series Dual Row Housing

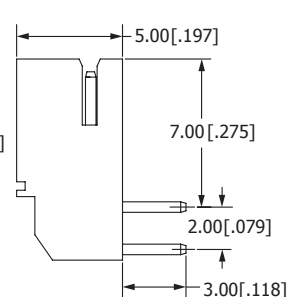
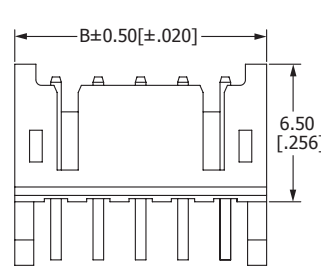
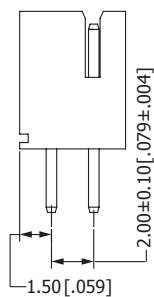
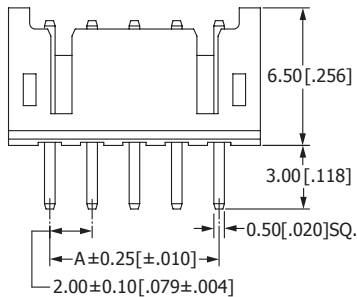
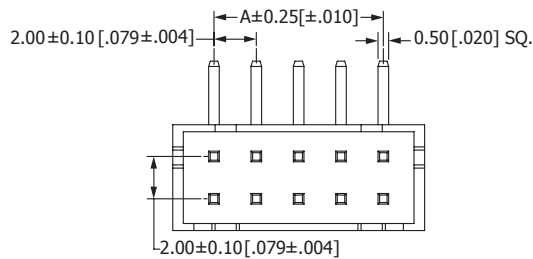


DIMENSIONS Dimensions in [] are in inches, all others are in millimeters.

SWR204-NRTN-D__-ST-GA



SWR204-NRTN-D__-RA-GA



SWR204 Series Dual Row Wafer 2.0 mm [.079"] Contact Centers, Straight/Right Angle

PART NUMBER OPTIONS

SWR204-NRTN-D16 -ST - GA

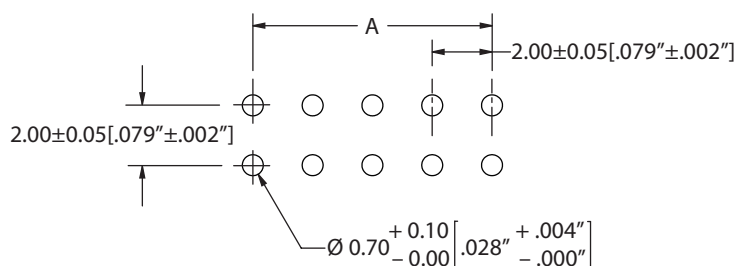
NUMBER OF POSITIONS

02 thru 17 & 20
See Chart Below

TERMINATION TYPE

ST = Straight
RA = Right Angle

PCB LAYOUT

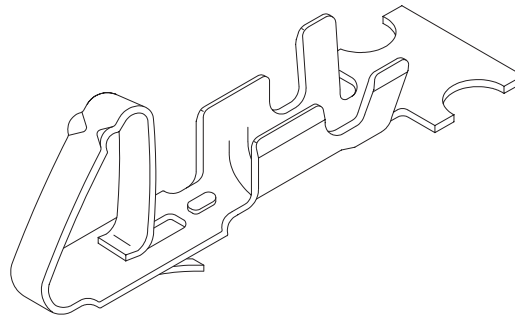


PART NUMBER	POSITIONS/ CONTACTS	A		B	
		mm	in	mm	in
SWR204-NRTN-D02-__-GA	02/04	2.00	0.079	5.90	0.232
SWR204-NRTN-D03-__-GA	03/06	4.00	0.157	7.90	0.311
SWR204-NRTN-D04-__-GA	04/08	6.00	0.236	9.90	0.390
SWR204-NRTN-D05-__-GA	05/10	8.00	0.315	11.90	0.469
SWR204-NRTN-D06-__-GA	06/12	10.00	0.394	13.90	0.547
SWR204-NRTN-D07-__-GA	07/14	12.00	0.472	15.90	0.626
SWR204-NRTN-D08-__-GA	08/16	14.00	0.551	17.90	0.705
SWR204-NRTN-D09-__-GA	09/18	16.00	0.630	19.90	0.783
SWR204-NRTN-D10-__-GA	10/20	18.00	0.709	21.90	0.862
SWR204-NRTN-D11-__-GA	11/22	20.00	0.787	23.90	0.941
SWR204-NRTN-D12-__-GA	12/24	22.00	0.866	25.90	1.020
SWR204-NRTN-D13-__-GA	13/26	24.00	0.945	27.90	1.098
SWR204-NRTN-D14-__-GA	14/28	26.00	1.024	29.90	1.177
SWR204-NRTN-D15-__-GA	15/30	28.00	1.102	31.90	1.256
SWR204-NRTN-D16-__-GA	16/32	30.00	1.181	33.90	1.335
SWR204-NRTN-D17-__-GA	17/34	32.00	1.260	35.90	1.413
SWR204-NRTN-D20-__-GA	20/40	38.00	1.496	41.90	1.650

SWT25X Series Crimp Terminal

SPECIFICATIONS

- Material: See Part Number Options
- Plating: See Part Number Options
- Contact Resistance: 20 milli Ohms Max
- Current Rating: 3 Amps
- Wire Range: AWG #20 - #26
- Insulation O.D.: $\varnothing 1.35 \text{ mm} \sim \varnothing 1.90 \text{ mm}$
- Quantity Per Reel = 10,000 Pieces
- Used In SWH25X Series Housing



PART NUMBER OPTIONS

SWT25X-URTC-S01-UU-UU

MATERIAL & PLATING

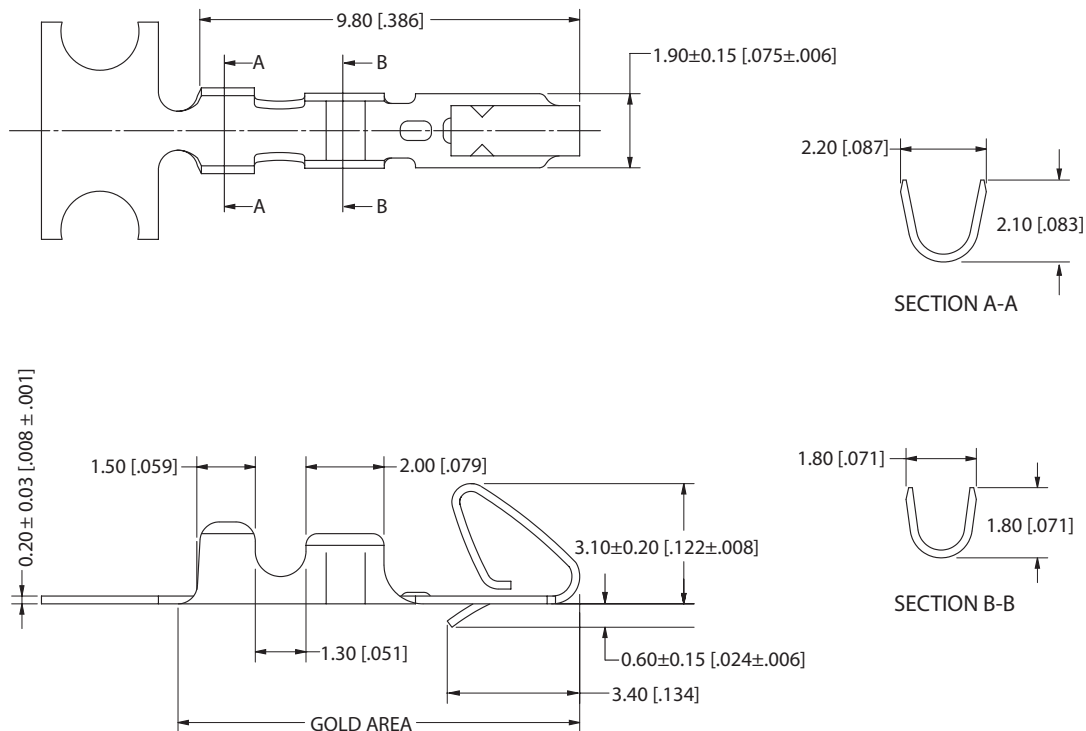
RT = Brass, .000015" Min Nickel Underplate, .000040" Min Pure Tin, Bright Overall

PT = Phosphor Bronze, .000015" Min Nickel Underplate, .000040" Min Pure Tin, Bright Overall

RP = Brass, .000040" Min Nickel Underplate, Gold Flash Overall

DIMENSIONS

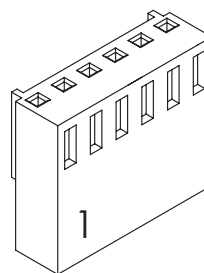
Dimensions in [] are in inches, all others are in millimeters.



SWH25X Series Housing 2.54 mm [.100"] Contact Centers

SPECIFICATIONS

- Insulator Material: Nylon, UL 94V-2 Color: Beige
- Dielectric Withstanding Voltage: 1000 VAC
- Insulator Resistance: 1000 Megohms Minimum
- Operating Temperature: -25°C to +85°C
- Voltage Rating: 250 VAC/DC
- Suitable for SWH25X Series Terminal
- Mates with SWR25X Series Single Row Wafer



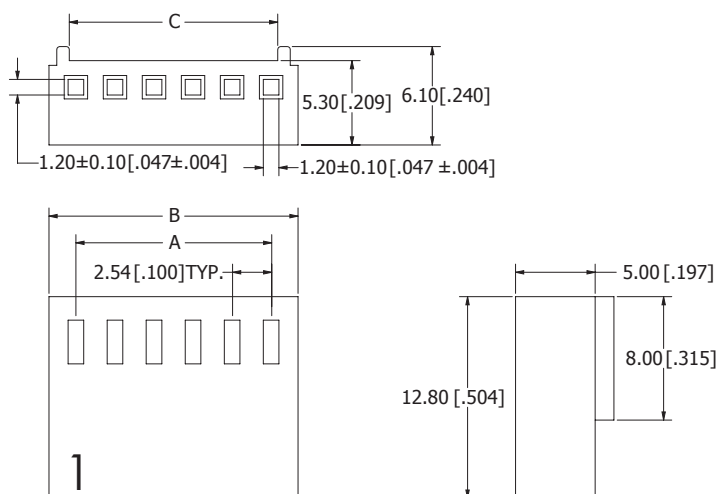
PART NUMBER OPTIONS

SWH25X-NULC-S16-UU-BA

NUMBER OF POSITIONS

02 thru 20

DIMENSIONS Dimensions in [] are in inches, all others are in millimeters.



PART NUMBER	POSITIONS/ CONTACTS	A		B		C	
		mm	in	mm	in	mm	in
SWH25X-NULC-S02-UU-BA	02/02	2.54	0.100	5.79	0.228	3.07	0.121
SWH25X-NULC-S03-UU-BA	03/03	5.08	0.200	8.33	0.328	5.61	0.221
SWH25X-NULC-S04-UU-BA	04/04	7.62	0.300	10.87	0.428	8.15	0.321
SWH25X-NULC-S05-UU-BA	05/05	10.16	0.400	13.41	0.528	10.69	0.421
SWH25X-NULC-S06-UU-BA	06/06	12.70	0.500	15.95	0.628	13.23	0.521
SWH25X-NULC-S07-UU-BA	07/07	15.24	0.600	18.49	0.728	15.77	0.621
SWH25X-NULC-S08-UU-BA	08/08	17.78	0.700	21.03	0.828	18.31	0.721
SWH25X-NULC-S09-UU-BA	09/09	20.32	0.800	23.57	0.928	20.85	0.821
SWH25X-NULC-S10-UU-BA	10/10	22.86	0.900	26.11	1.028	23.39	0.921
SWH25X-NULC-S11-UU-BA	11/11	25.40	1.000	28.65	1.128	25.93	1.021
SWH25X-NULC-S12-UU-BA	12/12	27.94	1.100	31.19	1.228	28.47	1.121
SWH25X-NULC-S13-UU-BA	13/13	30.48	1.200	33.73	1.328	31.01	1.221
SWH25X-NULC-S14-UU-BA	14/14	33.02	1.300	36.27	1.428	33.55	1.321
SWH25X-NULC-S15-UU-BA	15/15	35.56	1.400	38.81	1.528	36.09	1.421
SWH25X-NULC-S16-UU-BA	16/16	38.10	1.500	41.35	1.628	38.63	1.521
SWH25X-NULC-S17-UU-BA	17/17	40.64	1.600	43.89	1.728	41.17	1.621
SWH25X-NULC-S18-UU-BA	18/18	43.18	1.700	46.43	1.828	43.71	1.721
SWH25X-NULC-S19-UU-BA	19/19	45.72	1.800	48.97	1.928	46.25	1.821
SWH25X-NULC-S20-UU-BA	20/20	48.26	1.900	51.51	2.028	48.79	1.921

SWR25X Series Single Row Wafer 2.54 mm [.100"] Contact Centers, Straight/Right Angle

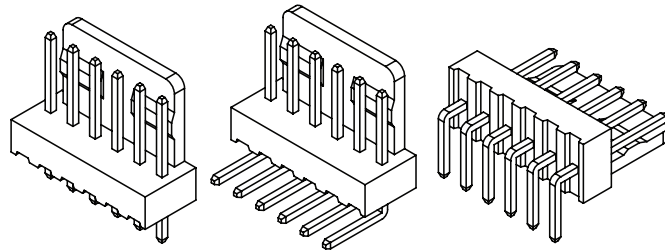
SPECIFICATIONS

- Insulator Material: Nylon, UL 94V-2, Color: Beige
- Contact Material: Brass
- Contact Resistance: 20 milli Ohms Max
- Contact Plating: .000020" Min. Nickel Underplate, Pure Tin, Bright Overall
- Current Rating: 3 Amps
- Dielectric Withstanding Voltage: 1000 VAC
- Insulator Resistance: 1000 Megohms Minimum
- Operating Temperature: -25°C to +85°C
- Voltage Rating: 250 VAC/DC
- Mates with SWH25X Series Single Row Housing

(ST) STRAIGHT

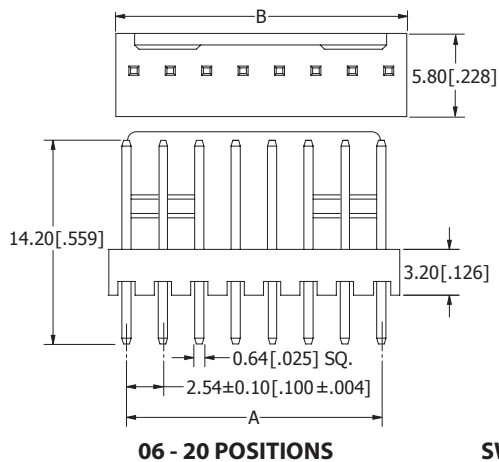
(RA) TYPE 2

(RB) TYPE 1

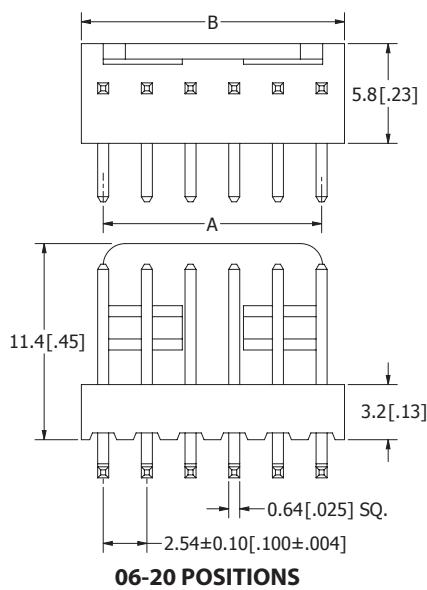


DIMENSIONS

Dimensions in [] are in inches, all others are in millimeters.



SWR25X-NRTC-S__-ST-BA



SWR25X-NRTC-S__-RA-BA
(TYPE 2)

SWR25X-NRTC-S__-RB-BA
(TYPE 1)

SWR25X Series Single Row Wafer 2.54 mm [.100"] Contact Centers, Straight/Right Angle

PART NUMBER OPTIONS

SWR25X-NRTC-S16-ST-BA

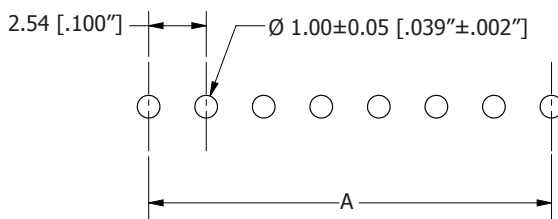
NUMBER OF POSITIONS

02 thru 20
See Chart Below

TERMINATION TYPE

ST = Straight
RA = Right Angle (Type 2)
RB = Right Angle (Type 1)

PCB LAYOUT



P.C. BOARD THICKNESS: 1.60 [.063"]

PART NUMBER	POSITIONS/ CONTACTS	A		B	
		mm	in	mm	in
SWR25X-NRTC-S02-__-BA	02/02	2.54	0.100	5.12	0.202
SWR25X-NRTC-S03-__-BA	03/03	5.08	0.200	7.66	0.302
SWR25X-NRTC-S04-__-BA	04/04	7.62	0.300	10.20	0.402
SWR25X-NRTC-S05-__-BA	05/05	10.16	0.400	12.74	0.502
SWR25X-NRTC-S06-__-BA	06/06	12.70	0.500	15.30	0.602
SWR25X-NRTC-S07-__-BA	07/07	15.24	0.600	17.94	0.706
SWR25X-NRTC-S08-__-BA	08/08	17.78	0.700	20.48	0.806
SWR25X-NRTC-S09-__-BA	09/09	20.32	0.800	23.02	0.906
SWR25X-NRTC-S10-__-BA	10/10	22.86	0.900	25.58	1.007
SWR25X-NRTC-S11-__-BA	11/11	25.40	1.000	28.12	1.107
SWR25X-NRTC-S12-__-BA	12/12	27.94	1.100	30.68	1.208
SWR25X-NRTC-S13-__-BA	13/13	30.48	1.200	33.10	1.303
SWR25X-NRTC-S14-__-BA	14/14	33.02	1.300	35.80	1.409
SWR25X-NRTC-S15-__-BA	15/15	35.56	1.400	38.34	1.509
SWR25X-NRTC-S16-__-BA	16/16	38.10	1.500	40.94	1.612
SWR25X-NRTC-S17-__-BA	17/17	40.64	1.600	43.30	1.705
SWR25X-NRTC-S18-__-BA	18/18	43.18	1.700	45.90	1.807
SWR25X-NRTC-S19-__-BA	19/19	45.72	1.800	48.56	1.912
SWR25X-NRTC-S20-__-BA	20/20	48.26	1.900	50.80	2.000

GENERAL SPECIFICATIONS

RoHS COMPLIANT



RoHS
COMPLIANT

All parts are currently manufactured with recommended materials to meet RoHS standards. All contacts have 50u" of nickel underplate, and a large selection of plating options: Pure tin matte, overall gold, or selective gold plating. For complete part number information refer to opposite page of this catalog. For operating/processing temperature parameters, visit the RoHS section of our website.

MATERIALS

To determine Assembly Operating Temperature, take the lower of two temperatures

Insulator:		Operating Temperature	Processing Temperature
Standard	PBT, Valox* Glass filled Thermoplastic Polyester	-65°C to +130°C	Wave only
Special	PPS, Ryton* Glass/Mineral filled Polyphenylene Sulfide, Green	-65°C to +220°C	260°C Max. / 20 Seconds
Special	PPS, Ryton* Glass filled Polyphenylene Sulfide, Brown	-65°C to +200°C	260°C Max. / 20 Seconds
Special	PA9T High Temperature Polyamide	-65°C to +150°C	260°C Max. / 20 Seconds
Special	PEEK Glass filled Polyetheretherketone	-65°C to +250°C	

Contacts:

Standard	Phosphor Bronze (Available in All Contact Styles)	-65°C to +125°C
Special	Beryllium Copper (Consult Factory)	-65°C to +150°C
Special	Spinodal** (Consult Factory)	-65°C to +200°C

Plating:

Plating is Lead Free with Nickel Underplate, offered in Gold (Selective or Overall) and Pure Tin Overall.

UL/CUL File Number: E64287

CAGE CODE: 31223

ECCN: EAR99

INTERNATIONAL HARMONIZED CODE: 8536.69.4040

MECHANICAL

Board Insertion Force: 16 oz Maximum per contact pair using .062" [1.57 mm] thick steel test blade.

Board Withdrawal Force: 1 oz Minimum per contact pair using .062" [1.57 mm] thick steel test blade.

Special Insertion/Withdrawal forces available upon request.

ELECTRICAL

Insulation Resistance:	5,000 Megohms					
Contact Centers:	.039" [1 mm]	.050" [1.27 mm]	.100" [2.54 mm]	.125" [3.18 mm]	.150" [3.81 mm]	.156" [3.96 mm]
Operating Voltage:	225 VAC	300 VAC	700 VAC	750 VAC	850 VAC	950 VAC
DWV:	675 VAC	900 VAC	2100 VAC	2250 VAC	2550 VAC	2850 VAC
Current Rating:	1 to 5 Amp per contact					
Contact Resistance:	30 milli Ohms maximum at rated current					

* Or equivalent.

** Consult factory for special soldering guidelines.

Registered Trademarks

Sabic Innovative Plastics: Valox Phillips 66: Ryton RTP Compounder: PEEK
Gardner-Denver Co.: Wire Wrap Ametek: Spinodal Underwriters Labs: UL

PART NUMBER OPTIONS

MP - 0 100 - 22 - D W - 5 xxx

PLATING - RoHS Compliant

All platings are Lead Free and have .000050" Nickel underplate

- Contact Surface Termination**
- *MPSL = .000010" Gold .000100" Pure Tin Matte
 - *EMPSL = .000010" Gold .000100" Pure Tin Matte
 - *MPL = .000100" Overall Pure Tin, Matte
 - *EMPL = .000100" Overall Pure Tin, Matte
 - MP = .000010" Overall Gold
 - EMP = .000010" Overall Gold
 - MPP = Spinodal Contact Material (Overall Gold Only)
 - EMPP = Spinodal Contact Material (Overall Gold Only)

***Tin Requires 'K' Modification Code**

Use 'E' code for Economy Eyelet Only
See Modification codes for alternate plating

INSULATOR MATERIAL

All Materials are U.L. Approved 94V-0

- 0 = PBT, Blue
- 1 = PPS, Brown
- 2 = PBT, Green
- 3 = PBT, Black
- 4 = PA9T, Black
- 5 = PPS, Black
- 6 = PPS, Green
- 7 = PPS, Brown
- 8 = PEEK, Natural

CONTACT CENTERS

- 100 = .100" [2.54 mm]
- 125 = .125" [3.18 mm]
- 150 = .150" [3.84 mm]
- 156 = .156" [3.96 mm]

NUMBER OF POSITIONS

02 - 70 Contacts Per Row

READOUT

D = Dual Row

TERMINATION TYPE

- FS = .045" Square Tails
.720" Insulator Height
- P = Solder Eyelet
.431" Insulator Height
- PE = Economy Eyelet, .156" Pitch only
.431" Insulator Height, Card Extender
- R = .025" Round Tails
.610" Insulator Height
- S = Dip Solder - .431" Insulator Height
- SE = Card Extender - .431" Insulator Height
- W = .025" Square Wire Wrap
.610" Insulator Height
- WE = .025" Square Card Extender
.610" Insulator Height

MOUNTING STYLE

- 1 = .125" Clearance Holes**
.245" Ears, .431" Insulator
.250" Flush Ears, .610" Insulator
- 2 = #4-40 Threaded Insert**
.245" Ears, .431" Insulator
.250" Flush Ears, .610" Insulator
- 3 = Floating Bobbin**
.220" Ears not Including Bobbin
(Flush Ears on .610" Insulator)
- 4 = No Mounting Ears**
All Connectors
- 5 = Raised with .125" Clearance Holes**
Wire Wrap/Thru Hole,
Only available in .610" Insulator
- 6 = Raised with #4-40 Threaded Insert**
Wire Wrap/Thru Hole,
Only available in .610" Insulator
- 8 = .125" Side Holes (Cross Drilled)**
- 9 = One Ear, .125" Clearance Hole**
.431" Insulator, Dip Solder & Eyelet
- 10 = One Ear, #4-40 Threaded Insert**
.431" Insulator, Dip Solder & Eyelet
- 11 = .142" Mounting Holes**
.431" Insulator, Dip Solder, Eyelet
.610" Insulator, .025" Sq & Round
- 12 = .128" Clearance Holes**
.431" Insulator, Dip Solder & Eyelet
.610" Insulator, .025" Sq & Round
- 13 = Flush Ears, .128" Clearance Holes**
.430" Ears with Pad on .610" Insulator
Height, Wire Wrap Only
- 14 = .142" Side Holes (Cross Drilled)**
.431" Insulator, Dip Solder & Eyelet
.610" Insulator, .025" Sq & Round
- 15 = Flush Ears, .125" Clearance Holes**
.190" Ears, No Pad
.610" Insulator, .025" Sq & Round
- 16 = Flush .250" Ears to top of the Card Entry Side of the Connector,**
.610" Insulator, .025" Sq & Round
- 18 = Flush Ears, .125" Side Holes (Cross Drilled)**
- 19 = .152" Clearance Holes**
.610" Insulator, .025" Sq & Round
- 58 = Raised Ears, .125" Side Holes (Cross Drilled)**
- 81 = Flush Ears, .125" Side Holes**
.250" Ears with Pad,
.610" Insulator, .025" Sq & Round
- 86 = Side Holes with #4-40 Threaded Insert**
.250" Ears with Pad,
.610" Insulator, .025" Sq & Round

MODIFICATION CODE

CONSULT FACTORY FOR OTHER OPTIONS

- A = Contacts Loaded one side only**
- B = Center Barrier for 28/56 - .156" Dip Solder & Eyelet**
- C = .030" Longer Card slot and Mounting Hole Centers for 22/44, All .156" (Consult Factory)**
- D = .000050" Gold Plating - (Consult Factory)**
- E9 = .200" Row Spacing on .156" Contact Centers**
- F = 6.802" Card slot for 43/86 .156" Eyelet & Wire Wrap Only**
- F9 = 6.802" Card slot & .200" Row Spacing for 43/86 Dip Solder Only**
- G = .000030" Gold Plating on Contact Surface; .000010" Gold Overall**
- H = .190" Contact Length for .025" Square & .026" Round Contacts .250" Contact Length without Standoffs**
- J = Low Insertion Force**
- K = MPSL - Selective Gold with Pure Tin, Matte Plating on Tails**
- MPL - Overall Pure Tin, Matte**
- L = .140" Contact Length for .156" Dip Solder Only**
- M = Pad on Bottom of Mounting Ears for .156", .431" Insulator Height, Dip Solder & Eyelet Only**
- N = Hi-light Contact ID on Bottom (Consult Factory)**
- P = Alternate Contact ID (Consult Factory)**
- Q = Right Angle Connector Contacts Untrimmed (Requires 'R' Modification Code)**
- R = Right Angle Connectors**
- S = Shorter Overall Length**
- T = Center Standoffs Removed .100" & .125" Wire Wrap Only**
- TT = No Standoffs**
- U = .000020" Gold Plating**
- X9 = .200" Row Spacing for .100" & .156" Dip Solder Only .250" Row Spacing for .125" Dip Solder Only**
- Y = Beryllium Copper Contacts**
- Z = Standoffs on .156" Wire Wrap**

See applicable specification pages for more information.

Specifications are subject to change without notice.

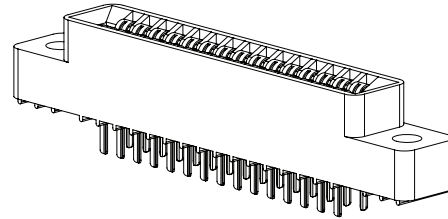


Micro Plastics Brand Card Edge

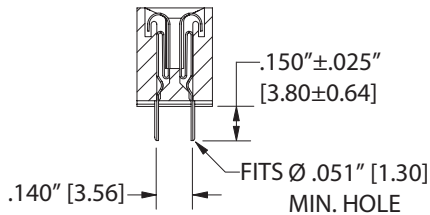
.100" [2.54 mm] Contact Centers, .431" [10.95 mm] Insulator Height, Dip Solder

SPECIFICATIONS

- Accommodates .062" ± .008" [1.57 mm ± 0.20 mm] PC Board
- Insulator Material available in PBT, PPS, or PA9T
- 3 Amps current rating for one contact energized
- Insulator / Contact Specifications and Part Number Options See Opposite Page
- Row Spacing Available in .140" [3.56 mm] or .200" [5.08 mm] (Use Modification Code 'X9' for .200" [5.08])
- P/N 04-0003-000 for In Between Contact Polarizing Key See Page 186 (Sold Separately)
- Molded-in Key Available - Consult Factory

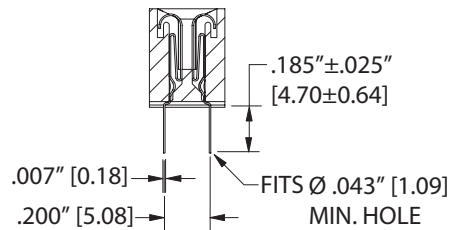


TERMINATION TYPE



DIP SOLDER (S)
.140" [3.56] ROW SPACING

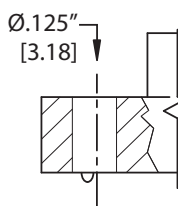
Example P/N: MP~~S~~L-0100-10-D~~S~~-1K



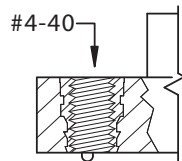
DIP SOLDER (S)
.200" [5.08] ROW SPACING
USE 'X9' MODIFICATION CODE

Example P/N: MP~~S~~L-0100-10-D~~S~~-1X9K

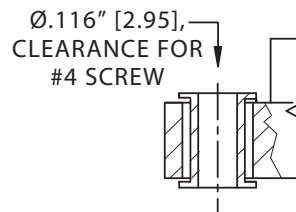
MOUNTING STYLE



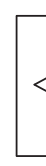
(STYLE 1)



(STYLE 2)



(STYLE 3)



(STYLE 4)

.100" [2.54 mm] Contact Centers, .431" [10.95 mm] Insulator Height, Dip Solder

PART NUMBER OPTIONS

MPSL - 0 100 - 10 - D S - 1 K

PLATING - RoHS Compliant

All Platings are Lead Free and have .000050" Nickel Underplate

Contact Surface Termination

*MPSL = .000010" Gold .000100" Pure Tin, Matte

*MPL = .000100" Overall Pure Tin, Matte

MP = .000010" Overall Gold

*Requires 'K' Modification Code

Refer to Page 142 for Operating/Processing Temperatures

INSULATOR MATERIAL**

0 = PBT

CONTACT CENTERS

100 = .100" [2.54 mm]

NUMBER OF POSITIONS

Contacts Per Row (See Position Chart Below)

MODIFICATION CODE**

K = Required on MPSL or MPL Plating

Omit for MP Plating (Overall Gold)

X9 = .200" [5.08 mm] Row Spacing

MOUNTING STYLE (See Opposite Page)

1 = .125" [3.18 mm] Clearance Hole

2 = #4-40 Threaded Insert

3 = Floating Bobbin

4 = No Mounting

TERMINATION TYPE (See Opposite Page)

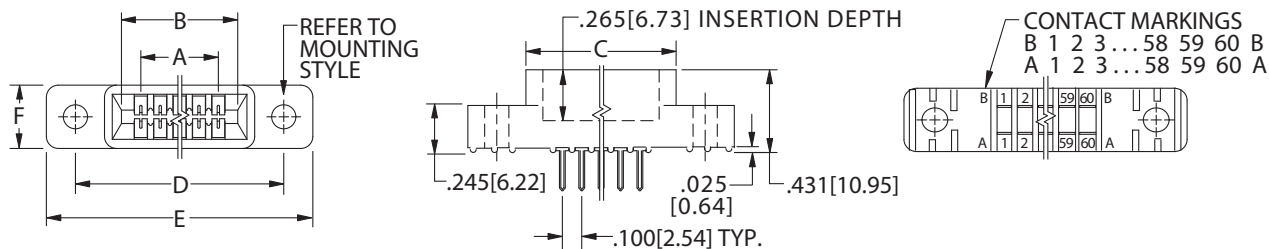
S = Dip Solder

READOUT

D = Dual

** See Pages 142-143 for Specifications and other Variations

DIMENSIONS Dimensions in [] are in millimeters, all others are in inches.



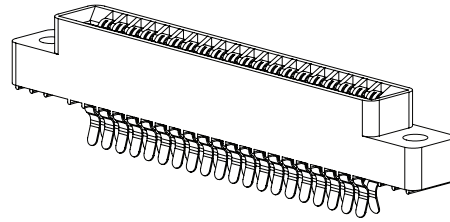
POSITIONS/ CONTACTS	INCHES						MILLIMETERS					
	A±.008	B±.008	C±.015	D±.010	E±.020	F±.005/-0.015	A±0.20	B±0.20	C±0.38	D±0.25	E±0.51	F±0.13/-0.38
05/10	0.400	0.600	0.775	1.075	1.375		10.16	15.24	19.69	27.31	34.93	
06/12	0.500	0.700	0.875	1.175	1.475		12.70	17.78	22.23	29.85	37.47	
07/14	0.600	0.800	0.975	1.275	1.575		15.24	20.32	24.77	32.39	40.01	
08/16	0.700	0.900	1.075	1.375	1.675		17.78	22.86	27.31	34.93	42.55	
10/20	0.900	1.100	1.275	1.575	1.875		22.86	27.94	32.39	40.01	47.63	
12/24	1.100	1.300	1.475	1.775	2.075		27.94	33.02	37.47	45.09	52.71	
13/26	1.200	1.400	1.575	1.875	2.175		30.48	35.56	40.01	47.63	55.25	
15/30	1.400	1.600	1.775	2.075	2.375		35.56	40.64	45.09	52.71	60.33	
17/34	1.600	1.800	1.975	2.275	2.575		40.64	45.72	50.17	57.79	65.41	
18/36	1.700	1.900	2.075	2.375	2.675	0.330	43.18	48.26	52.71	60.33	67.95	8.38
19/38	1.800	2.000	2.175	2.475	2.775		45.72	50.80	55.25	62.87	70.49	
20/40	1.900	2.100	2.275	2.575	2.875		48.26	53.34	57.79	65.41	73.03	
22/44	2.100	2.300	2.475	2.775	3.075		53.34	58.42	62.87	70.49	78.11	
25/50	2.400	2.600	2.775	3.075	3.375		60.96	66.04	70.49	78.11	85.73	
26/52	2.500	2.700	2.875	3.175	3.475		63.50	68.58	73.03	80.65	88.27	
28/56	2.700	2.900	3.075	3.375	3.675		68.58	73.66	78.11	85.73	93.35	
30/60	2.900	3.100	3.275	3.575	3.875		73.66	78.74	83.19	90.81	98.43	
31/62	3.000	3.200	3.375	3.675	3.975		76.20	81.28	85.73	93.35	100.97	
35/70	3.400	3.600	3.775	4.075	4.375		86.36	91.44	95.89	103.51	111.13	
36/72	3.500	3.700	3.875	4.175	4.475		88.90	93.98	98.43	106.05	113.67	
40/80	3.900	4.100	4.275	4.575	4.875		99.06	104.14	108.59	116.21	123.83	
43/86	4.200	4.400	4.575	4.875	5.175		106.68	111.76	116.21	123.83	131.45	
44/88	4.300	4.500	4.675	4.975	5.275	0.400	109.22	114.30	118.75	126.37	133.99	10.16
49/98	4.800	5.000	5.175	5.475	5.775		121.92	127.00	131.45	139.07	146.69	
50/100	4.900	5.100	5.275	5.575	5.875		124.46	129.54	133.99	141.61	149.23	
60/120	5.900	6.100	6.275	6.575	6.875		149.86	154.94	159.39	167.01	174.63	
65/130	6.400	6.600	6.775	7.075	7.375		162.56	167.64	172.09	179.71	187.33	

Micro Plastics Brand Card Edge

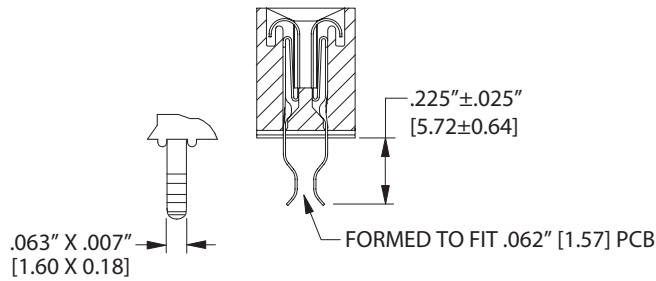
.100" [2.54 mm] Contact Centers, .431" [10.95 mm] Insulator Height, Card Extender

SPECIFICATIONS

- Accommodates $.062" \pm .008"$ [1.57 mm \pm 0.20 mm] PC Board
- Insulator Material available in PBT, PPS, or PA9T
- 3 Amps current rating for one contact energized
- Insulator / Contact Specifications and Part Number Options See Opposite Page
- P/N 04-0003-000 for In Between Contact Polarizing Key See Page 186 (Sold Separately)
- Molded-in Key Available - Consult Factory



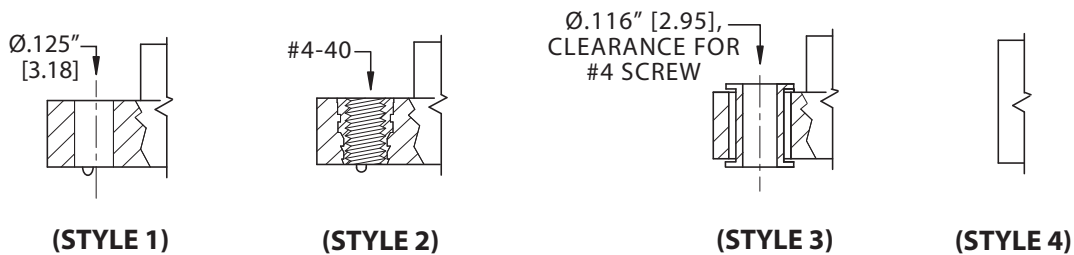
TERMINATION TYPE



CARD EXTENDER (SE)

Example P/N: MPSL-0100-10-DSE-1K

MOUNTING STYLE



.100" [2.54 mm] Contact Centers, .431" [10.95 mm] Insulator Height, Card Extender

PART NUMBER OPTIONS

MPSL - 0 100 - 10 - D SE - 1 K

PLATING - RoHS Compliant

All Platings are Lead Free and have .000050" Nickel Underplate

Contact Surface

*MPSL = .000010" Gold

*MPL = .000100" Overall Pure Tin, Matte

MP = .000010" Overall Gold

Termination

.000100" Pure Tin Matte

* Requires 'K' Modification Code

Other Plating and thicknesses available upon request

Refer to Page 142 for Operating/Processing Temperatures

INSULATOR MATERIAL* *

0 = PBT

CONTACT CENTERS

100 = .100" [2.54 mm]

NUMBER OF POSITIONS

Contacts Per Row (See Position Chart Below)

PLATING MODIFICATION CODE**

K = Required on Tin Plating
Omit for MP Plating (Overall Gold)

MOUNTING STYLE (See Opposite Page)

- 1 = .125" [3.18 mm] Clearance Hole
- 2 = #4-40 Threaded Insert
- 3 = Floating Bobbin
- 4 = No Mounting

TERMINATION TYPE (See Opposite Page)

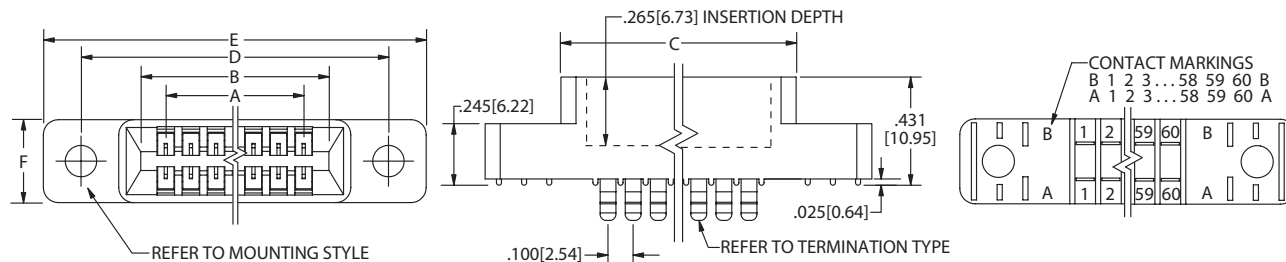
SE = Card Extender

READOUT

D = Dual

** See Pages 142-143 for Specifications and other Variations

DIMENSIONS Dimensions in [] are in millimeters, all others are in inches.



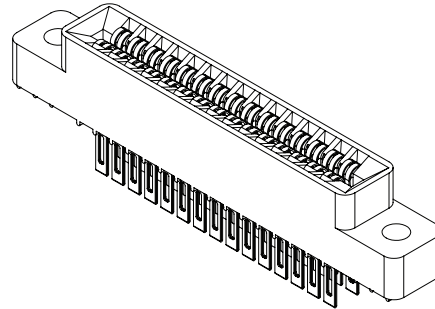
POSITIONS/ CONTACTS	INCHES						MILLIMETERS					
	A±.008	B±.008	C±.015	D±.010	E±.020	F+.005/- .015	A±0.20	B±0.20	C±0.38	D±0.25	E±0.51	F+0.13/-0.38
05/10	0.400	0.600	0.775	1.075	1.375		10.16	15.24	19.69	27.31	34.93	
06/12	0.500	0.700	0.875	1.175	1.475		12.70	17.78	22.23	29.85	37.47	
07/14	0.600	0.800	0.975	1.275	1.575		15.24	20.32	24.77	32.39	40.01	
08/16	0.700	0.900	1.075	1.375	1.675		17.78	22.86	27.31	34.93	42.55	
10/20	0.900	1.100	1.275	1.575	1.875		22.86	27.94	32.39	40.01	47.63	
12/24	1.100	1.300	1.475	1.775	2.075		27.94	33.02	37.47	45.09	52.71	
13/26	1.200	1.400	1.575	1.875	2.175		30.48	35.56	40.01	47.63	55.25	
15/30	1.400	1.600	1.775	2.075	2.375		35.56	40.64	45.09	52.71	60.33	
17/34	1.600	1.800	1.975	2.275	2.575	0.330	40.64	45.72	50.17	57.79	65.41	8.38
18/36	1.700	1.900	2.075	2.375	2.675		43.18	48.26	52.71	60.33	67.95	
19/38	1.800	2.000	2.175	2.475	2.775		45.72	50.80	55.25	62.87	70.49	
20/40	1.900	2.100	2.275	2.575	2.875		48.26	53.34	57.79	65.41	73.03	
22/44	2.100	2.300	2.475	2.775	3.075		53.34	58.42	62.87	70.49	78.11	
25/50	2.400	2.600	2.775	3.075	3.375		60.96	66.04	70.49	78.11	85.73	
26/52	2.500	2.700	2.875	3.175	3.475		63.50	68.58	73.03	80.65	88.27	
28/56	2.700	2.900	3.075	3.375	3.675		68.58	73.66	78.11	85.73	93.35	
30/60	2.900	3.100	3.275	3.575	3.875		73.66	78.74	83.19	90.81	98.43	
31/62	3.000	3.200	3.375	3.675	3.975		76.20	81.28	85.73	93.35	100.97	
35/70	3.400	3.600	3.775	4.075	4.375		86.36	91.44	95.89	103.51	111.13	
36/72	3.500	3.700	3.875	4.175	4.475		88.90	93.98	98.43	106.05	113.67	
40/80	3.900	4.100	4.275	4.575	4.875		99.06	104.14	108.59	116.21	123.83	
43/86	4.200	4.400	4.575	4.875	5.175		106.68	111.76	116.21	123.83	131.45	
44/88	4.300	4.500	4.675	4.975	5.275	0.400	109.22	114.30	118.75	126.37	133.99	10.16
49/98	4.800	5.000	5.175	5.475	5.775		121.92	127.00	131.45	139.07	146.69	
50/100	4.900	5.100	5.275	5.575	5.875		124.46	129.54	133.99	141.61	149.23	
60/120	5.900	6.100	6.275	6.575	6.875		149.86	154.94	159.39	167.01	174.63	
65/130	6.400	6.600	6.775	7.075	7.375		162.56	167.64	172.09	179.71	187.33	

Micro Plastics Brand Card Edge

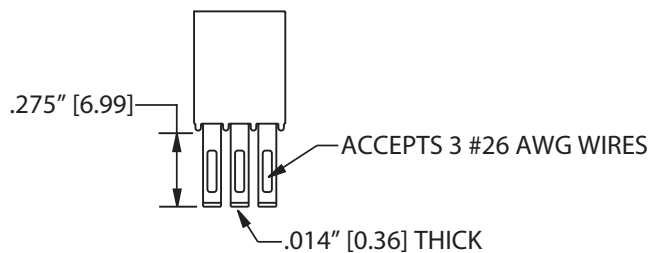
.100" [2.54 mm] Contact Centers, .431" [10.95 mm] Insulator Height, Eyelet

SPECIFICATIONS

- Accommodates $.062" \pm .008"$ [1.57 mm \pm 0.20 mm] PC Board
- Insulator Material available in PBT, PPS, or PA9T
- 3 Amps current rating for one contact energized
- Insulator / Contact Specifications and Part Number Options See opposite page
- P/N 04-0003-000 for In Between Contact Polarizing Key See Page 186 (Sold Separately)
- Molded-in Key Available - Consult Factory



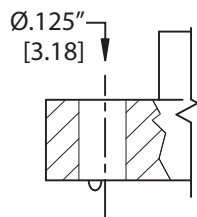
TERMINATION TYPE



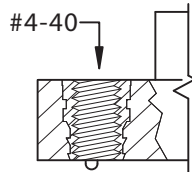
EYELET (P)

Example P/N: MP-0100-10-DP-1

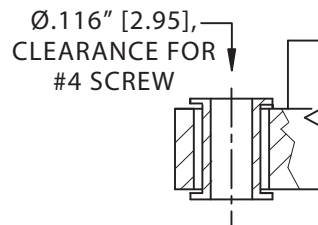
MOUNTING STYLE



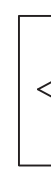
(STYLE 1)



(STYLE 2)



(STYLE 3)



(STYLE 4)

.100" [2.54 mm] Contact Centers, .431" [10.95 mm] Insulator Height, Eyelet

PART NUMBER OPTIONS

MPL - 0 100 - 10 - D P - 1 K

PLATING - RoHS Compliant
 All Platings are Lead Free and have .000050" Nickel Underplate
 *MPL = .000100" Overall Pure Tin, Matte
 MP = .000010" Overall Gold
*** Requires 'K' Modification Code**
 Other Plating and thicknesses available upon request
 Refer to Page 142 for Operating/Processing Temperatures

INSULATOR MATERIAL**
 0 = PBT

CONTACT CENTERS
 100 = .100" [2.54 mm]

NUMBER OF POSITIONS
 Contacts Per Row (See Position Chart Below)

PLATING MODIFICATION CODE**
 K = Required on Tin Plating
 Omit for MP Plating (Overall Gold)

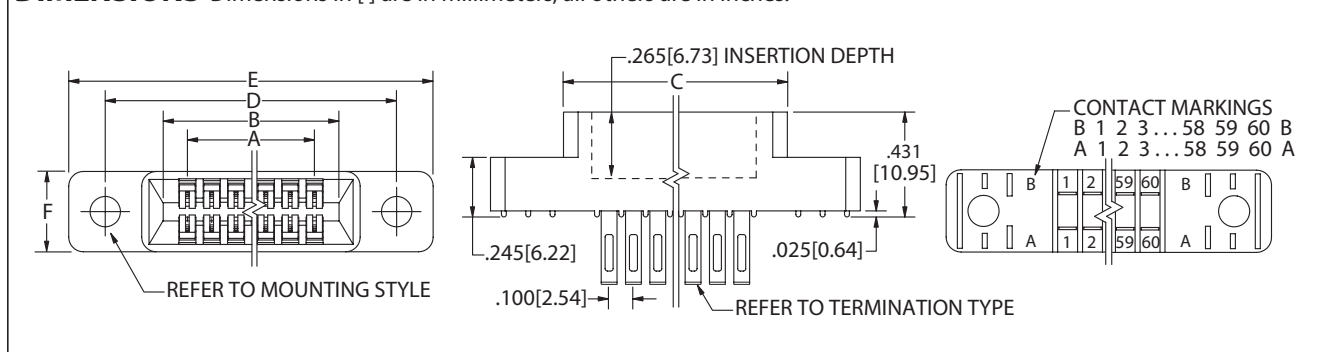
MOUNTING STYLE (See Opposite Page)
 1 = .125" [3.18 mm] Clearance Hole
 2 = #4-40 Threaded Insert
 3 = Floating Bobbin
 4 = No Mounting

TERMINATION TYPE (See Opposite Page)
 P = Pierced Eyelet, .014" [0.36 mm] Thick

READOUT
 D = Dual

**** See Pages 142-143 for Specifications and other Variations**

DIMENSIONS Dimensions in [] are in millimeters, all others are in inches.



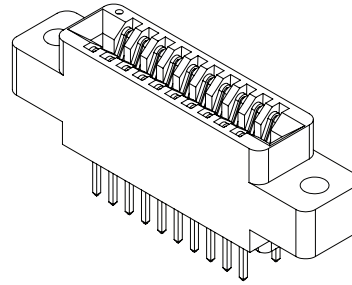
POSITIONS/ CONTACTS	INCHES						MILLIMETERS					
	A±.008	B±.008	C±.015	D±.010	E±.020	F+.005/-0.015	A±0.20	B±0.20	C±0.38	D±0.25	E±0.51	F+0.13/-0.38
05/10	0.400	0.600	0.775	1.075	1.375	0.330	10.16	15.24	19.69	27.31	34.93	8.38
06/12	0.500	0.700	0.875	1.175	1.475		12.70	17.78	22.23	29.85	37.47	
07/14	0.600	0.800	0.975	1.275	1.575		15.24	20.32	24.77	32.39	40.01	
08/16	0.700	0.900	1.075	1.375	1.675		17.78	22.86	27.31	34.93	42.55	
10/20	0.900	1.100	1.275	1.575	1.875		22.86	27.94	32.39	40.01	47.63	
12/24	1.100	1.300	1.475	1.775	2.075		27.94	33.02	37.47	45.09	52.71	
13/26	1.200	1.400	1.575	1.875	2.175		30.48	35.56	40.01	47.63	55.25	
15/30	1.400	1.600	1.775	2.075	2.375		35.56	40.64	45.09	52.71	60.33	
17/34	1.600	1.800	1.975	2.275	2.575		40.64	45.72	50.17	57.79	65.41	
18/36	1.700	1.900	2.075	2.375	2.675		43.18	48.26	52.71	60.33	67.95	
19/38	1.800	2.000	2.175	2.475	2.775		45.72	50.80	55.25	62.87	70.49	
20/40	1.900	2.100	2.275	2.575	2.875		48.26	53.34	57.79	65.41	73.03	
22/44	2.100	2.300	2.475	2.775	3.075		53.34	58.42	62.87	70.49	78.11	
25/50	2.400	2.600	2.775	3.075	3.375		60.96	66.04	70.49	78.11	85.73	
26/52	2.500	2.700	2.875	3.175	3.475		63.50	68.58	73.03	80.65	88.27	
28/56	2.700	2.900	3.075	3.375	3.675		68.58	73.66	78.11	85.73	93.35	
30/60	2.900	3.100	3.275	3.575	3.875	73.66	78.74	83.19	90.81	98.43		
31/62	3.000	3.200	3.375	3.675	3.975	76.20	81.28	85.73	93.35	100.97		
35/70	3.400	3.600	3.775	4.075	4.375	86.36	91.44	95.89	103.51	111.13		
36/72	3.500	3.700	3.875	4.175	4.475	88.90	93.98	98.43	106.05	113.67		
40/80	3.900	4.100	4.275	4.575	4.875	99.06	104.14	108.59	116.21	123.83		
43/86	4.200	4.400	4.575	4.875	5.175	106.68	111.76	116.21	123.83	131.45		
44/88	4.300	4.500	4.675	4.975	5.275	109.22	114.30	118.75	126.37	133.99		
49/98	4.800	5.000	5.175	5.475	5.775	121.92	127.00	131.45	139.07	146.69		
50/100	4.900	5.100	5.275	5.575	5.875	124.46	129.54	133.99	141.61	149.23		
60/120	5.900	6.100	6.275	6.575	6.875	149.86	154.94	159.39	167.01	174.63		
65/130	6.400	6.600	6.775	7.075	7.375	162.56	167.64	172.09	179.71	187.33		

Micro Plastics Brand Card Edge

**.100" [2.54 mm] Contact Centers, .610" [15.49 mm] Insulator Height,
Wire Wrap & Dip Solder**

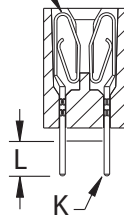
SPECIFICATIONS

- Accommodates .062" ± .008" [1.57 mm ± 0.20 mm] PC Board
- Insulator Material available in PBT, PPS, or PA9T
- 3 Amps current rating for one contact energized
- Insulator / Contact Specifications and Part Number Options See opposite page
- P/N 04-0004-000 for In Between Contact Polarizing Key See Page 186 (Sold Separately)
- Molded-in Key Available - Consult Factory



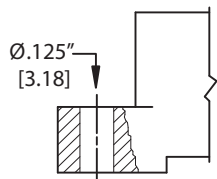
TERMINATION TYPE

LOOP BELLOWS

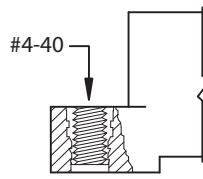


TERMINATION CODE	MODIFICATION CODE	TYPE	POST CROSS SECTION K	POST LENGTH L	FITS MIN. HOLE SIZE	EXAMPLE PART NUMBER
R	H	Dip Solder	.025" [0.64] Round	.190" [4.83]	.033" [0.84]	<i>MPSL-0100-10-DR-1HK</i>
R	H(.165)	Dip Solder	.025" [0.64] Round	.165" [4.19]	.033" [0.84]	<i>MPSL-0100-10-DR-1HK(.165)</i>
W	H	Dip Solder	.025" [0.64] Square	.190" [4.83]	.040" [1.02]	<i>MPSL-0100-10-DW-1HK</i>
W	OMIT	Wire Wrap	.025" [0.64] Square	.560" [14.20]	.040" [1.02]	<i>MPSL-0100-10-DW-1K</i>

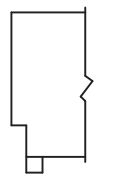
MOUNTING STYLE



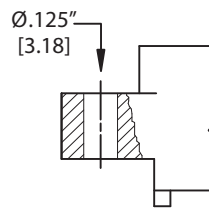
(STYLE 1)



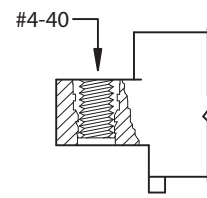
(STYLE 2)



(STYLE 4)



(STYLE 5)



(STYLE 6)

.100" [2.54 mm] Contact Centers, .610" [15.49 mm] Insulator Height, Wire Wrap & Dip Solder

PART NUMBER OPTIONS

MPSL - 0 100 - 10 - D W - 1 H K

PLATING - RoHS Compliant
All Platings are Lead Free and have .000050" Nickel Underplate

Contact Surface Termination
*MPSL = .000010" Gold .000100" Pure Tin, Matte
*MPL = .000100" Overall Pure Tin, Matte
MP = .000010" Overall Gold

***Requires 'K' Modification Code**
Refer to Page 142 for Operating/Processing Temperatures

INSULATOR MATERIAL**
0 = PBT

CONTACT CENTERS
100 = .100" [2.54 mm]

NUMBER OF POSITIONS
Contacts Per Row (See Position Chart Below)

READOUT
D = Dual

PLATING MODIFICATION CODE**
K = Required on MPSL or MPL Plating
Omit for MP Plating (Overall Gold)

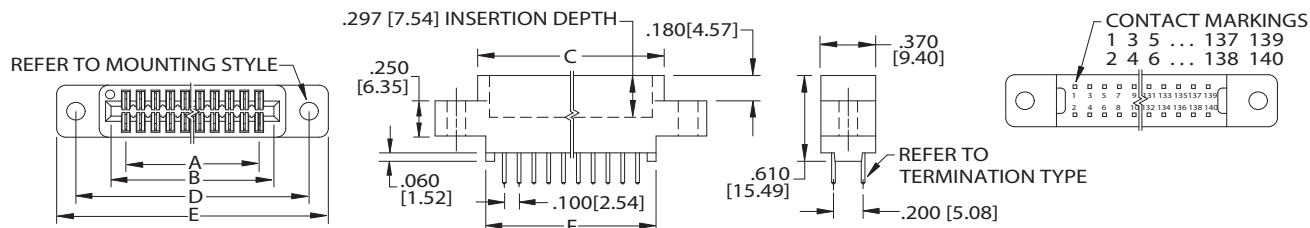
MODIFICATION CODE**
(See Opposite Page)
H = Dip Solder .190" [4.83 mm] Tail Length
(.025" [0.64 mm] Round) or
(.025" [0.64 mm] Square)
H(.165) = Dip Solder .165" [4.19 mm] Tail Length
(.025" [0.64 mm] Round Only)

MOUNTING STYLE (See Opposite Page)
1 = .125" [3.18 mm] Clearance Hole
2 = #4-40 Threaded Insert
4 = No Mounting
5 = Raised, .125" [3.18 mm] Clearance Hole
6 = Raised, #4-40 Threaded Insert

TERMINATION TYPE (See Opposite Page)
LOOP BELLOWS
R = .025" [0.64 mm] Round
W = .025" [0.64 mm] Square

**** See Pages 142-143 for Specifications and other Variations**

DIMENSIONS Dimensions in [] are in millimeters, all others are in inches.



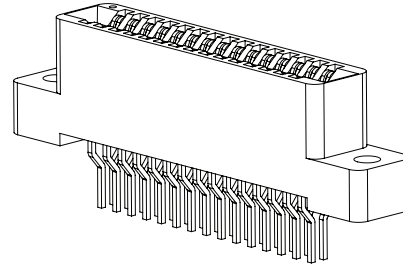
POSITIONS/ CONTACTS	INCHES						MILLIMETERS					
	A±.008	B±.008	C±.015	D±.010	E±.020	F±.015	A±0.20	B±0.20	C±0.38	D±0.25	E±0.51	F±0.38
06/12	0.500	0.700	0.860	1.175	1.435	0.750	12.70	17.78	21.84	29.85	36.45	19.05
08/16	0.700	0.900	1.060	1.375	1.635	0.950	17.78	22.86	26.92	34.93	41.53	24.13
10/20	0.900	1.100	1.260	1.575	1.835	1.150	22.86	27.94	32.00	40.01	46.61	29.21
12/24	1.100	1.300	1.460	1.775	2.035	1.350	27.94	33.02	37.08	45.09	51.69	34.29
13/26	1.200	1.400	1.560	1.875	2.135	1.450	30.48	35.56	39.62	47.63	54.23	36.83
15/30	1.400	1.600	1.760	2.075	2.335	1.650	35.56	40.64	44.70	52.71	59.31	41.91
17/34	1.600	1.800	1.960	2.275	2.535	1.850	40.64	45.72	49.78	57.79	64.39	46.99
18/36	1.700	1.900	2.060	2.375	2.635	1.950	43.18	48.26	52.32	60.33	66.93	49.53
20/40	1.900	2.100	2.260	2.575	2.835	2.150	48.26	53.34	57.40	65.41	72.01	54.61
22/44	2.100	2.300	2.460	2.775	3.035	2.350	53.34	58.42	62.48	70.49	77.09	59.69
24/48	2.300	2.500	2.660	2.975	3.235	2.550	58.42	63.50	67.56	75.57	82.17	64.77
25/50	2.400	2.600	2.760	3.075	3.335	2.650	60.96	66.04	70.10	78.11	84.71	67.31
28/56	2.700	2.900	3.060	3.375	3.635	2.950	68.58	73.66	77.72	85.73	92.33	74.93
30/60	2.900	3.100	3.260	3.575	3.835	3.150	73.66	78.74	82.80	90.81	97.41	80.01
31/62	3.000	3.200	3.360	3.675	3.935	3.250	76.20	81.28	85.34	93.35	99.95	82.55
35/70	3.400	3.600	3.760	4.075	4.335	3.650	86.36	91.44	95.50	103.51	110.11	92.71
36/72	3.500	3.700	3.860	4.175	4.435	3.750	88.90	93.98	98.04	106.05	112.65	95.25
40/80	3.900	4.100	4.260	4.575	4.835	4.150	99.06	104.14	108.20	116.21	122.81	105.41
43/86	4.200	4.400	4.560	4.875	5.135	4.450	106.68	111.76	115.82	123.83	130.43	113.03
44/88	4.300	4.500	4.660	4.975	5.235	4.550	109.22	114.30	118.36	126.37	132.97	115.57
50/100	4.900	5.100	5.260	5.575	5.835	5.150	124.46	129.54	133.60	141.61	148.21	130.81
55/110	5.400	5.600	5.760	6.075	6.335	5.650	137.16	142.24	146.30	154.31	160.91	143.51
60/120	5.900	6.100	6.260	6.575	6.835	6.150	149.86	154.94	159.00	167.01	173.61	156.21
61/122	6.000	6.200	6.360	6.675	6.935	6.250	152.40	157.48	161.54	169.55	176.15	158.75
65/130	6.400	6.600	6.760	7.075	7.335	6.650	162.56	167.64	171.70	179.71	186.31	168.91
70/140	6.900	7.100	7.260	7.575	7.835	7.150	175.26	180.34	184.40	192.41	199.01	181.61

Micro Plastics Brand Card Edge

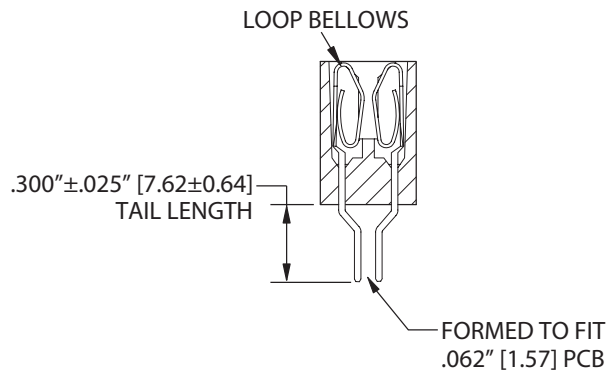
.100" [2.54 mm] Contact Centers, .550" [13.97 mm] Insulator Height, .025" [0.64 mm] Square Card Extender

SPECIFICATIONS

- Accommodates $.062" \pm .008"$ [1.57 mm \pm 0.20 mm] PC Board
- Insulator Material available in PBT, PPS, or PA9T
- 3 Amps current rating for one contact energized
- Insulator / Contact Specifications and Part Number Options See opposite page
- P/N 04-0004-000 for In Between Contact Polarizing Key See Page 186 (Sold Separately)
- Molded-in Key Available - Consult Factory

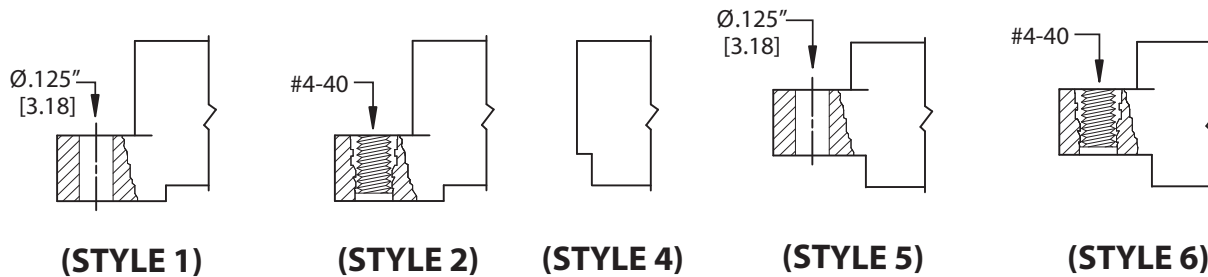


TERMINATION TYPE



Example P/N: MPSL-0100-10-DWE-4KTT

MOUNTING STYLE



.100" [2.54 mm] Contact Centers, .550" [13.97 mm] Insulator Height, .025" [0.64 mm] Square Card Extender

PART NUMBER OPTIONS

MPSL - 0 100 - 10 - D WE - 4 K TT

PLATING - RoHS Compliant
 All Platings are Lead Free & have .000050" Nickel Underplate
Contact Surface Termination
 *MPSL = .000010" Gold .000100" Pure Tin, Matte
 *MPL = .000100" Overall Pure Tin, Matte
 MP = .000010" Overall Gold
***Requires 'K' Modification Code**
 Refer to Page 142 for Operating/Processing Temperatures

INSULATOR MATERIAL**
 0 = PBT

CONTACT CENTERS
 100 = .100" [2.54 mm]

NUMBER OF POSITIONS
 Contacts Per Row (See Position Chart Below)

READOUT
 D = Dual

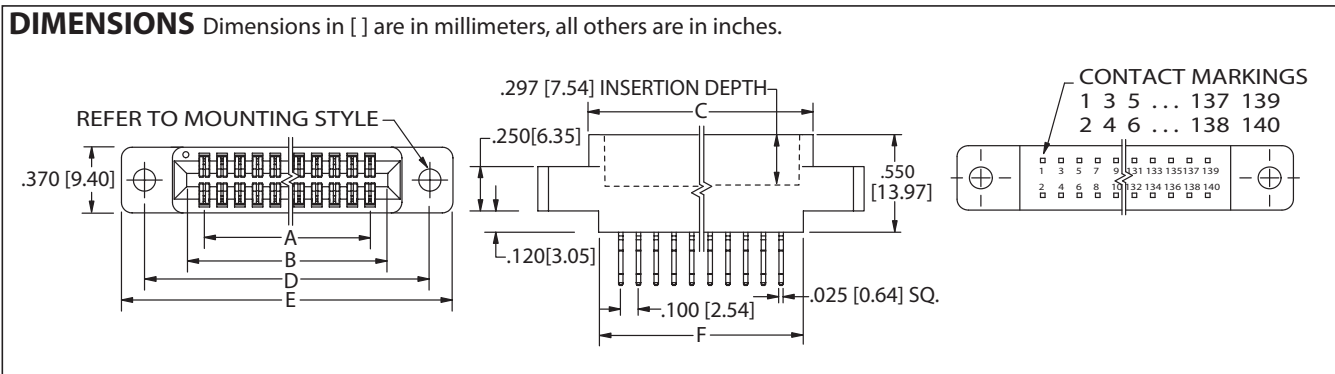
MODIFICATION CODE**
 TT = No Standoffs

PLATING MODIFICATION CODE**
 K = Required on MPSL or MPL Plating
 Omit for MP Plating (Overall Gold)

MOUNTING STYLE (See Opposite Page)
 1 = .125" [3.18 mm] Clearance Hole
 2 = #4-40 Threaded Insert
 4 = No Mounting
 5 = Raised, .125" [3.18 mm] Clearance Hole
 6 = Raised, #4-40 Threaded Insert

TERMINATION TYPE (See Opposite Page)
 WE = Card Extender

**** See Pages 142-143 for Specifications and other Variations**



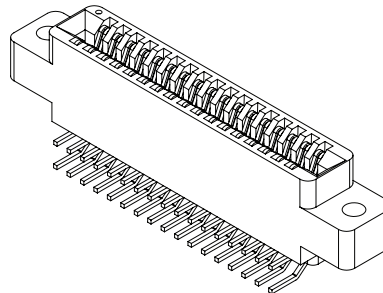
POSITIONS/ CONTACTS	INCHES						MILLIMETERS					
	A±.008	B±.008	C±.015	D±.010	E±.020	F±.015	A±0.20	B±0.20	C±0.38	D±0.25	E±0.51	F±0.38
06/12	0.500	0.700	0.860	1.175	1.435	0.750	12.70	17.78	21.84	29.85	36.45	19.05
08/16	0.700	0.900	1.060	1.375	1.635	0.950	17.78	22.86	26.92	34.93	41.53	24.13
10/20	0.900	1.100	1.260	1.575	1.835	1.150	22.86	27.94	32.00	40.01	46.61	29.21
12/24	1.100	1.300	1.460	1.775	2.035	1.350	27.94	33.02	37.08	45.09	51.69	34.29
13/26	1.200	1.400	1.560	1.875	2.135	1.450	30.48	35.56	39.62	47.63	54.23	36.83
15/30	1.400	1.600	1.760	2.075	2.335	1.650	35.56	40.64	44.70	52.71	59.31	41.91
17/34	1.600	1.800	1.960	2.275	2.535	1.850	40.64	45.72	49.78	57.79	64.39	46.99
18/36	1.700	1.900	2.060	2.375	2.635	1.950	43.18	48.26	52.32	60.33	66.93	49.53
20/40	1.900	2.100	2.260	2.575	2.835	2.150	48.26	53.34	57.40	65.41	72.01	54.61
22/44	2.100	2.300	2.460	2.775	3.035	2.350	53.34	58.42	62.48	70.49	77.09	59.69
24/48	2.300	2.500	2.660	2.975	3.235	2.550	58.42	63.50	67.56	75.57	82.17	64.77
25/50	2.400	2.600	2.760	3.075	3.335	2.650	60.96	66.04	70.10	78.11	84.71	67.31
28/56	2.700	2.900	3.060	3.375	3.635	2.950	68.58	73.66	77.72	85.73	92.33	74.93
30/60	2.900	3.100	3.260	3.575	3.835	3.150	73.66	78.74	82.80	90.81	97.41	80.01
31/62	3.000	3.200	3.360	3.675	3.935	3.250	76.20	81.28	85.34	93.35	99.95	82.55
35/70	3.400	3.600	3.760	4.075	4.335	3.650	86.36	91.44	95.50	103.51	110.11	92.71
36/72	3.500	3.700	3.860	4.175	4.435	3.750	88.90	93.98	98.04	106.05	112.65	95.25
40/80	3.900	4.100	4.260	4.575	4.835	4.150	99.06	104.14	108.20	116.21	122.81	105.41
43/86	4.200	4.400	4.560	4.875	5.135	4.450	106.68	111.76	115.82	123.83	130.43	113.03
44/88	4.300	4.500	4.660	4.975	5.235	4.550	109.22	114.30	118.36	126.37	132.97	115.57
50/100	4.900	5.100	5.260	5.575	5.835	5.150	124.46	129.54	133.60	141.61	148.21	130.81
55/110	5.400	5.600	5.760	6.075	6.335	5.650	137.16	142.24	146.30	154.31	160.91	143.51
60/120	5.900	6.100	6.260	6.575	6.835	6.150	149.86	154.94	159.00	167.01	173.61	156.21
61/122	6.000	6.200	6.360	6.675	6.935	6.250	152.40	157.48	161.54	169.55	176.15	158.75
65/130	6.400	6.600	6.760	7.075	7.335	6.650	162.56	167.64	171.70	179.71	186.31	168.91
70/140	6.900	7.100	7.260	7.575	7.835	7.150	175.26	180.34	184.40	192.41	199.01	181.61

Micro Plastics Brand Card Edge

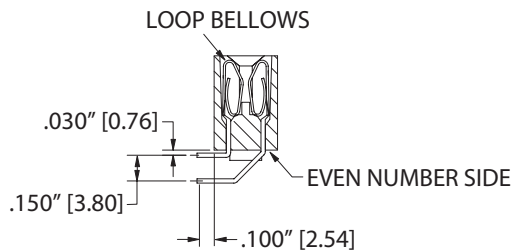
.100" [2.54 mm] Contact Centers, .610" [15.49 mm] Insulator Height, Right Angle

SPECIFICATIONS

- Accommodates $.062" \pm .008"$ [1.57 mm \pm 0.20 mm] PC Board
- Insulator Material available in PBT, PPS, or PA9T
- 3 Amps current rating for one contact energized
- Insulator / Contact Specifications and Part Number Options See opposite page
- P/N 04-0004-000 for In Between Contact Polarizing Key See Page 186 (Sold Separately)
- Molded-in Key Available - Consult Factory

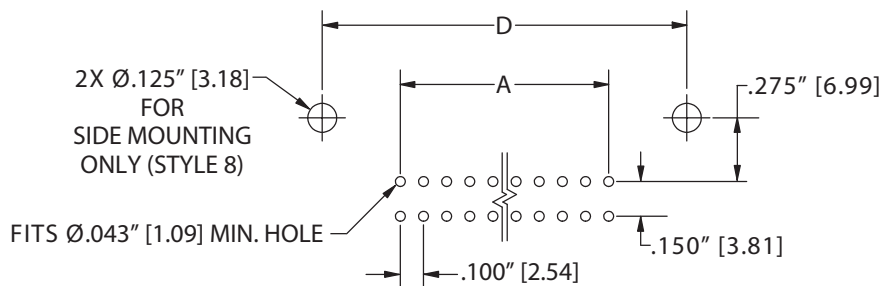


TERMINATION TYPE

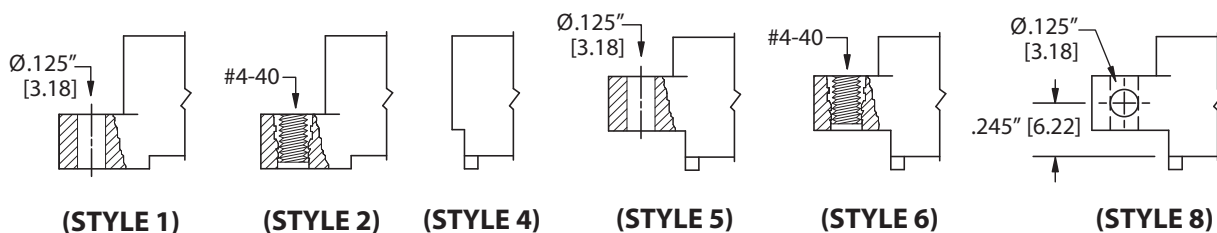


Example P/N: MP-0100-10-DW-1R

PCB LAYOUT



MOUNTING STYLE



.100" [2.54 mm] Contact Centers, .610" [15.49 mm] Insulator Height, Right Angle

PART NUMBER OPTIONS

MPSL - 0 100 - 10 - D W - 1 K R

PLATING - RoHS Compliant
 All Platings are Lead Free and have .000050" Nickel Underplate

Contact Surface	Termination
*MPSL = .000010" Gold	.000100" Pure Tin, Matte
*MPL = .000100" Overall Pure Tin, Matte	
MP = .000010" Overall Gold	

*Requires 'K' Modification Code
 Refer to Page 142 for Operating/Processing Temperatures

INSULATOR MATERIAL**
 0 = PBT

CONTACT CENTERS
 100 = .100" [2.54 mm]

NUMBER OF POSITIONS
 Contacts Per Row (See Position Chart Below)

READOUT
 D = Dual

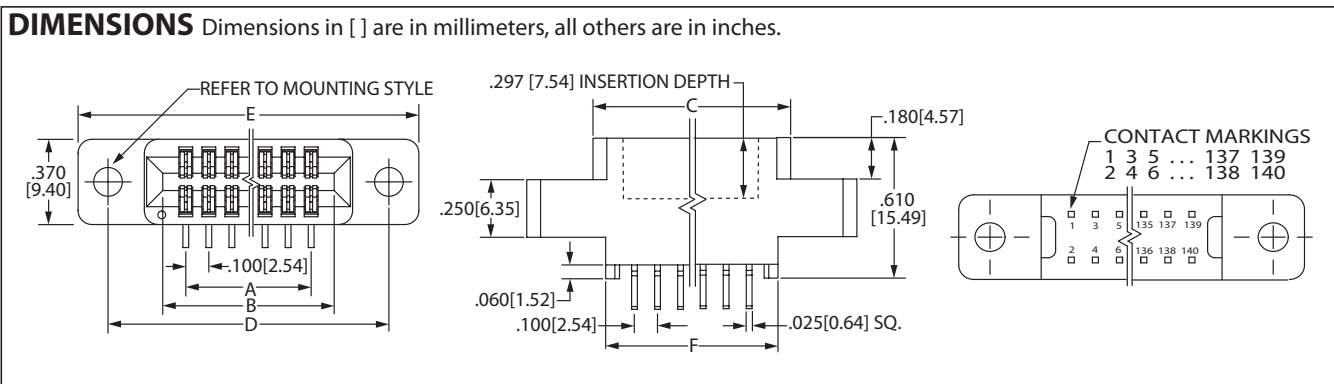
MODIFICATION CODE**
 R = Right Angle

PLATING MODIFICATION CODE**
 K = Required on MPSL or MPL Plating
 Omit for MP Plating (Overall Gold)

MOUNTING STYLE (See Opposite Page)
 1 = .125" [3.18 mm] Clearance Hole
 2 = #4-40 Threaded Insert
 4 = No Mounting
 5 = Raised, .125" [3.18 mm] Clearance Hole
 6 = Raised, #4-40 Threaded Insert
 8 = Raised, Side Mounting, .125" [3.18 mm] Clearance Hole

TERMINATION TYPE (See Opposite Page)
LOOP BELLOWS
 W = .025" [0.64 mm] Square

** See Pages 142-143 for Specifications and other Variations



POSITIONS/ CONTACTS	INCHES						MILLIMETERS					
	A±.008	B±.008	C±.015	D±.010	E±.020	F±.015	A±0.20	B±0.20	C±0.38	D±0.25	E±0.51	F±0.38
06/12	0.500	0.700	0.860	1.175	1.435	0.750	12.70	17.78	21.84	29.85	36.45	19.05
08/16	0.700	0.900	1.060	1.375	1.635	0.950	17.78	22.86	26.92	34.93	41.53	24.13
10/20	0.900	1.100	1.260	1.575	1.835	1.150	22.86	27.94	32.00	40.01	46.61	29.21
12/24	1.100	1.300	1.460	1.775	2.035	1.350	27.94	33.02	37.08	45.09	51.69	34.29
13/26	1.200	1.400	1.560	1.875	2.135	1.450	30.48	35.56	39.62	47.63	54.23	36.83
15/30	1.400	1.600	1.760	2.075	2.335	1.650	35.56	40.64	44.70	52.71	59.31	41.91
17/34	1.600	1.800	1.960	2.275	2.535	1.850	40.64	45.72	49.78	57.79	64.39	46.99
18/36	1.700	1.900	2.060	2.375	2.635	1.950	43.18	48.26	52.32	60.33	66.93	49.53
20/40	1.900	2.100	2.260	2.575	2.835	2.150	48.26	53.34	57.40	65.41	72.01	54.61
22/44	2.100	2.300	2.460	2.775	3.035	2.350	53.34	58.42	62.48	70.49	77.09	59.69
24/48	2.300	2.500	2.660	2.975	3.235	2.550	58.42	63.50	67.56	75.57	82.17	64.77
25/50	2.400	2.600	2.760	3.075	3.335	2.650	60.96	66.04	70.10	78.11	84.71	67.31
28/56	2.700	2.900	3.060	3.375	3.635	2.950	68.58	73.66	77.72	85.73	92.33	74.93
30/60	2.900	3.100	3.260	3.575	3.835	3.150	73.66	78.74	82.80	90.81	97.41	80.01
31/62	3.000	3.200	3.360	3.675	3.935	3.250	76.20	81.28	85.34	93.35	99.95	82.55
35/70	3.400	3.600	3.760	4.075	4.335	3.650	86.36	91.44	95.50	103.51	110.11	92.71
36/72	3.500	3.700	3.860	4.175	4.435	3.750	88.90	93.98	98.04	106.05	112.65	95.25
40/80	3.900	4.100	4.260	4.575	4.835	4.150	99.06	104.14	108.20	116.21	122.81	105.41
43/86	4.200	4.400	4.560	4.875	5.135	4.450	106.68	111.76	115.82	123.83	130.43	113.03
44/88	4.300	4.500	4.660	4.975	5.235	4.550	109.22	114.30	118.36	126.37	132.97	115.57
50/100	4.900	5.100	5.260	5.575	5.835	5.150	124.46	129.54	133.60	141.61	148.21	130.81
55/110	5.400	5.600	5.760	6.075	6.335	5.650	137.16	142.24	146.30	154.31	160.91	143.51
60/120	5.900	6.100	6.260	6.575	6.835	6.150	149.86	154.94	159.00	167.01	173.61	156.21
61/122	6.000	6.200	6.360	6.675	6.935	6.250	152.40	157.48	161.54	169.55	176.15	158.75
65/130	6.400	6.600	6.760	7.075	7.335	6.650	162.56	167.64	171.70	179.71	186.31	168.91
70/140	6.900	7.100	7.260	7.575	7.835	7.150	175.26	180.34	184.40	192.41	199.01	181.61

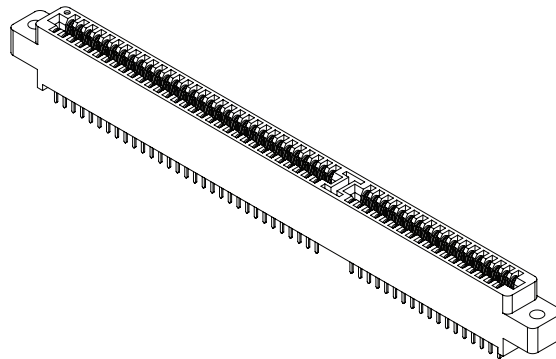
Micro Plastics Brand Card Edge

Micro Plastics Brand Card Edge

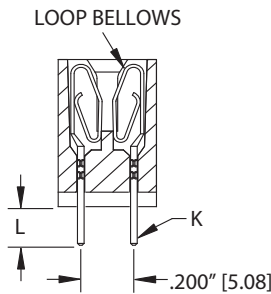
.100" [2.54 mm] Contact Centers, .610" [15.49 mm] Insulator Height, Special 18/31 with Barrier, Dip Solder/Wire Wrap, [ISA]

SPECIFICATIONS

- ISA Connector
- Accommodates .062" ± .008" [1.57 mm ± 0.20 mm] PC Board
- Insulator Material available in PBT, PPS, or PA9T
- 3 Amps current rating for one contact energized
- Insulator / Contact Specifications and Part Number Options See opposite page
- P/N 04-0004-000 for In Between Contact Polarizing Key See Page 186 (Sold Separately)
- Molded-in Key Available - Consult Factory

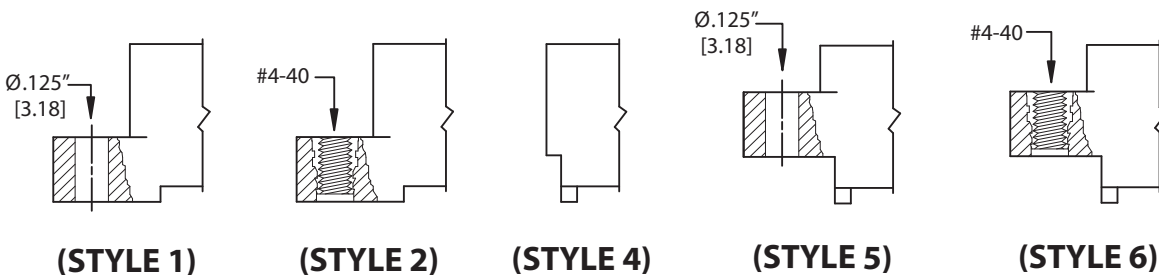


TERMINATION TYPE



TERMINATION CODE	MODIFICATION CODE	TYPE	POST CROSS SECTION K	POST LENGTH L	FITS MIN. HOLE SIZE	EXAMPLE PART NUMBER
R	H	Dip Solder	.025" [0.64] Round	.190" [4.83]	.033" [0.84]	<i>MPSL-0100-18/31-DR-1HK</i>
R	H(.165)	Dip Solder	.025" [0.64] Round	.165" [4.19]	.033" [0.84]	<i>MPSL-0100-18/31-DR-1HK(.165)</i>
W	H	Dip Solder	.025" [0.64] Square	.190" [4.83]	.040" [1.02]	<i>MPSL-0100-18/31-DW-1HK</i>
W	OMIT	Wire Wrap	.025" [0.64] Square	.560" [14.20]	.040" [1.02]	<i>MPSL-0100-18/31-DW-1K</i>

MOUNTING STYLE



.100" [2.54 mm] Contact Centers, .610" [15.49 mm] Insulator Height, Special 18/31 with Barrier, Dip Solder/Wire Wrap, [ISA]

PART NUMBER OPTIONS

MPSL - 0 100 - 18/31 - DW - 1 H K

PLATING - RoHS Compliant

All Platings are Lead Free and have .000050" Nickel Underplate

Contact Surface Termination

*MPSL = .000010" Gold .000100" Pure Tin, Matte

*MPL = .000100" Overall Pure Tin, Matte

MP = .000010" Overall Gold

*Requires 'K' Modification Code

Refer to Page 142 for Operating/Processing Temperatures

INSULATOR MATERIAL **

0 = PBT

CONTACT CENTERS

100 = .100" [2.54 mm]

NUMBER OF POSITIONS

18/31 Per Row

READOUT

D = Dual

PLATING MODIFICATION CODE**

K = Required on MPSL or MPL Plating
Omit for MP Plating (Overall Gold)

MODIFICATION CODE**

(See Opposite Page)

H = Dip Solder .190" [4.83 mm] Tail Length
(.025" [0.64 mm] Round) or
(.025" [0.64 mm] Square)

H(.165) = Dip Solder .165" [4.19 mm] Tail Length
(.025" [0.64 mm] Round Only)

MOUNTING STYLE (See Opposite Page)

1 = .125" [3.18 mm] Clearance Hole

2 = #4-40 Threaded Insert

4 = No Mounting

5 = Raised, .125" [3.18 mm] Clearance Hole

6 = Raised, #4-40 Threaded Insert

TERMINATION TYPE (See Opposite Page)

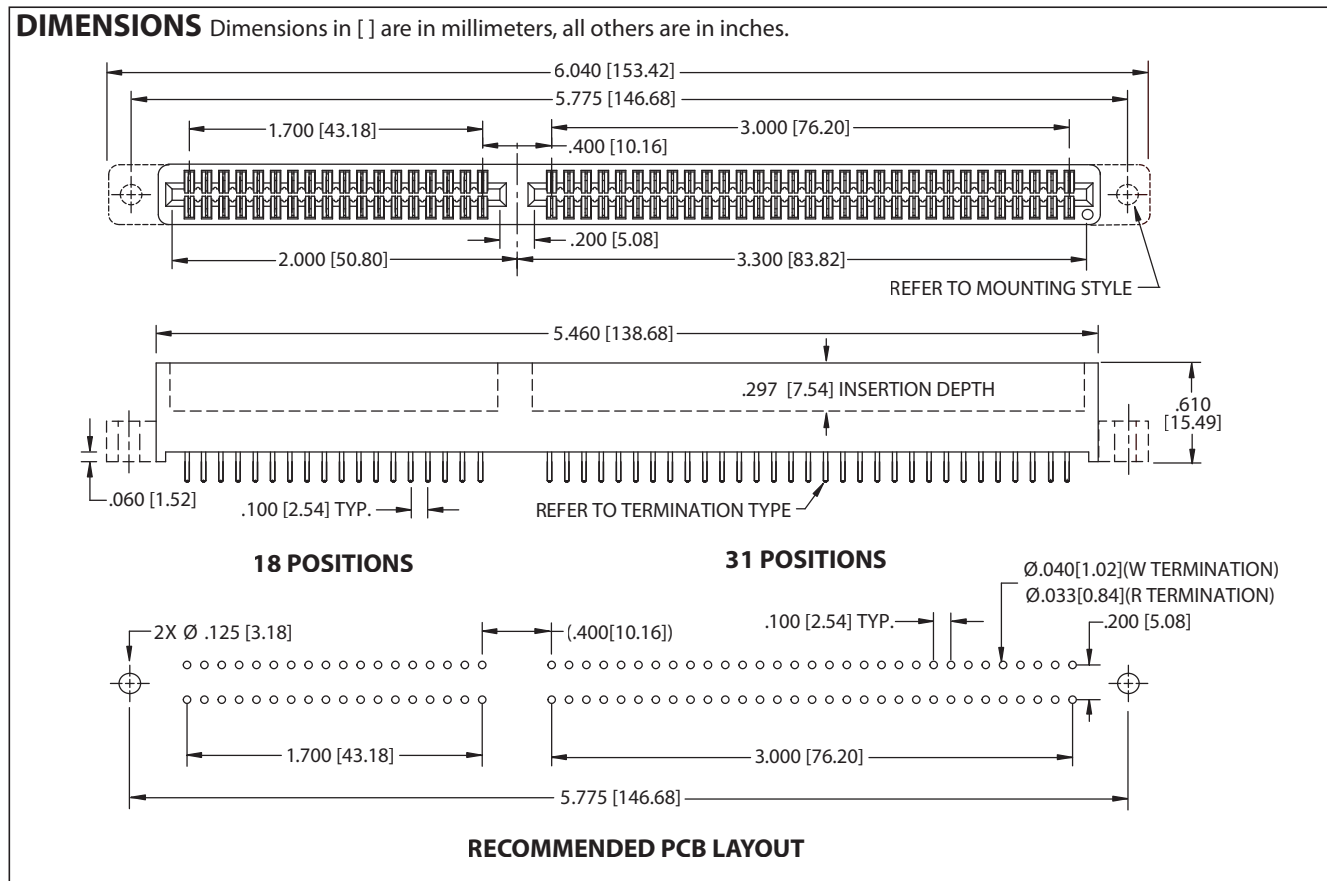
LOOP BELLOWS

R = .025" [0.64 mm] Round

W = .025" [0.64 mm] Square

CONSULT FACTORY FOR RIGHT ANGLE VERSION

** See Pages 142-143 for Specifications and other Variations

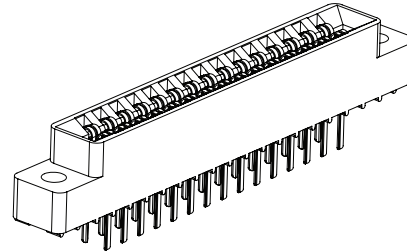


Micro Plastics Brand Card Edge

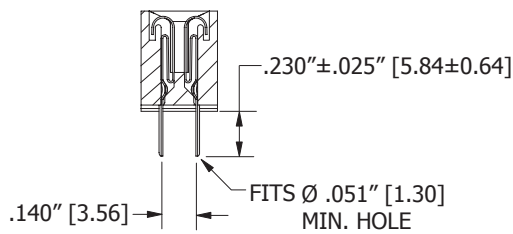
.125" [3.18 mm] Contact Centers, .431" [10.95 mm] Insulator Height, Dip Solder

SPECIFICATIONS

- Accommodates .062" ± .008" [1.57 mm ± 0.20 mm] PC Board
- Insulator Material available in PBT, PPS, or PA9T
- 3 Amps current rating for one contact energized
- Insulator / Contact Specifications and Part Number Options See opposite page
- Row Spacing Available in .140" [3.56 mm] or .250" [6.35 mm] (Use Modification Code 'X9' for .250" [6.35 mm])
- P/N 04-0003-000 for In Between Contact Polarizing Key See Page 186 (Sold Separately)
- Molded-in Key Available - Consult Factory

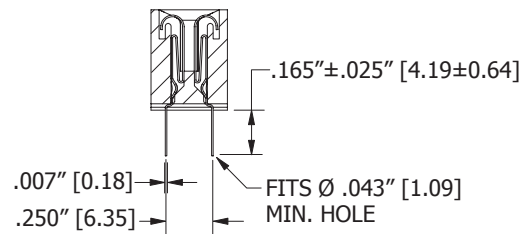


TERMINATION TYPE



DIP SOLDER (S)
.140" [3.56] ROW SPACING

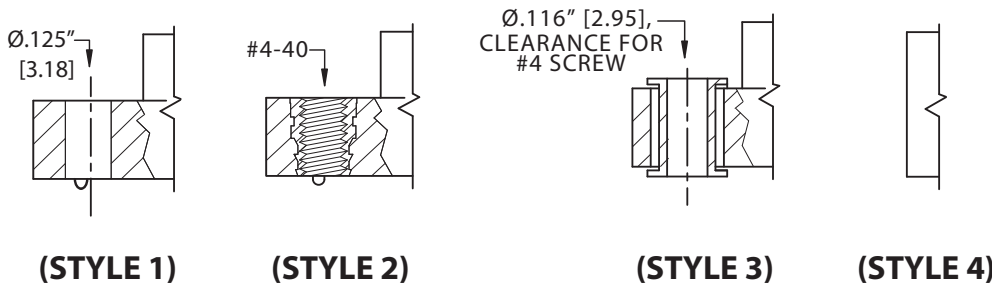
Example P/N: *MPSL-0125-10-DS-1K*



DIP SOLDER (S)
.250" [6.35] ROW SPACING
REQUIRES 'X9' MODIFICATION CODE

Example P/N: *MPSL-0125-10-DS-1KX9*

MOUNTING STYLE



PART NUMBER OPTIONS

MPL - 0 125 - 10 - D S - 1 K

PLATING - RoHS Compliant

All Platings are Lead Free and have .000050" Nickel Underplate

Contact Surface Termination

*MPSL = .000010" Gold .000100" Pure Tin, Matte

*MPL = .000100" Overall Pure Tin, Matte

MP = .000010" Overall Gold

***Requires 'K' Modification Code**

Refer to Page 142 for Operating/Processing Temperatures

INSULATOR MATERIAL**

0 = PBT

CONTACT CENTERS

125 = .125" [3.18 mm]

NUMBER OF POSITIONS

Contacts Per Row (See Position Chart Below)

MODIFICATION CODE**

K = Required on MPSL or MPL Plating

Omit for MP Plating (Overall Gold)

X9 = .250" [6.35 mm] Row Spacing

MOUNTING STYLE (See Opposite Page)

1 = .125" [3.18 mm] Clearance Hole

2 = #4-40 Threaded Insert

3 = Floating Bobbin

4 = No Mounting

TERMINATION TYPE (See Opposite Page)

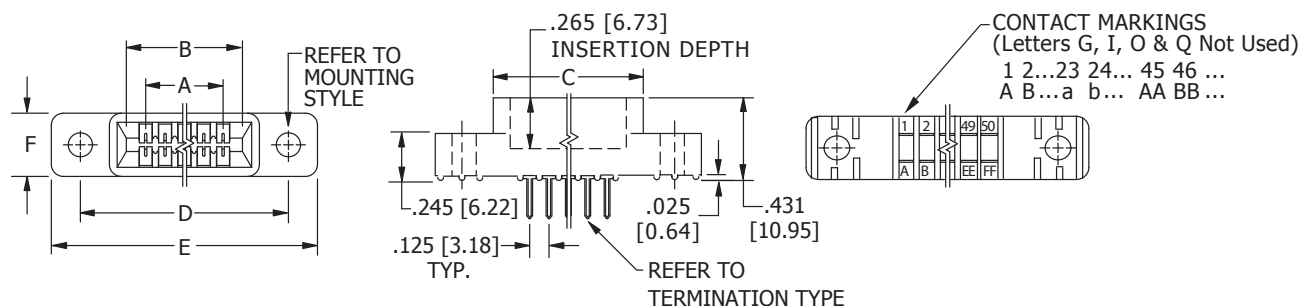
S = Dip Solder

READOUT

D = Dual

**** See Pages 142-143 for Specifications and other Variations**

DIMENSIONS Dimensions in [] are in millimeters, all others are in inches.



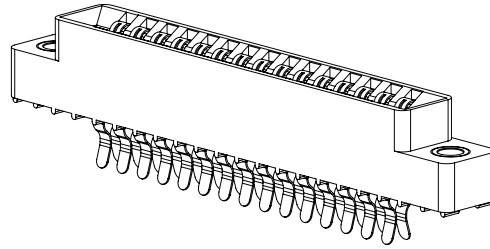
POSITIONS/ CONTACTS	INCHES						MILLIMETERS					
	A±.008	B±.008	C±.015	D±.010	E±.020	F+-.005/-0.015	A±0.20	B±0.20	C±0.38	D±0.25	E±0.51	F+0.13/-0.38
06/12	0.625	0.875	1.035	1.295	1.575	0.330	15.88	22.23	26.29	32.89	40.01	8.38
10/20	1.125	1.375	1.535	1.795	2.075		28.58	34.93	38.99	45.59	52.71	
14/28	1.625	1.875	2.035	2.295	2.575		41.28	47.63	51.69	58.29	65.41	
15/30	1.750	2.000	2.160	2.420	2.700		44.45	50.80	54.86	61.47	68.58	
18/36	2.125	2.375	2.535	2.795	3.075		53.98	60.33	64.39	70.99	78.11	
22/44	2.625	2.875	3.035	3.295	3.575		66.68	73.03	77.09	83.69	90.81	
28/56	3.375	3.625	3.785	4.045	4.325		85.73	92.08	96.14	102.74	109.86	
30/60	3.625	3.875	4.035	4.295	4.575		92.08	98.43	102.49	109.09	116.21	
31/62	3.750	4.000	4.160	4.420	4.700		95.25	101.60	105.66	112.27	119.38	
35/70	4.250	4.500	4.660	4.920	5.200		107.95	114.30	118.36	124.97	132.08	
36/72	4.375	4.625	4.785	5.045	5.325	111.13	117.48	121.54	128.14	135.26		
37/74	4.500	4.750	4.910	5.170	5.450	114.30	120.65	124.71	131.32	138.43		
40/80	4.875	5.125	5.285	5.545	5.825	0.370	123.83	130.18	134.24	140.84	147.96	9.40
43/86	5.250	5.500	5.660	5.920	6.200		133.35	139.70	143.76	150.37	157.48	
44/88	5.375	5.625	5.785	6.045	6.325		136.53	142.88	146.94	153.54	160.66	
49/98	6.000	6.250	6.410	6.670	6.950		152.40	158.75	162.81	169.42	176.53	
50/100	6.125	6.375	6.535	6.795	7.075		155.58	161.93	165.99	172.59	179.71	

Micro Plastics Brand Card Edge

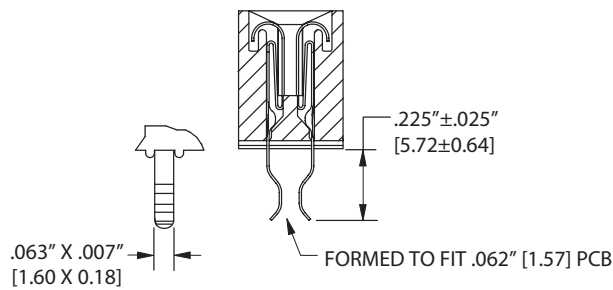
.125" [3.18 mm] Contact Centers, .431" [10.95 mm] Insulator Height, Card Extender

SPECIFICATIONS

- Accommodates .062" ± .008" [1.57 mm ± 0.20 mm] PC Board
- Insulator Material available in PBT, PPS, or PA9T
- 3 Amps current rating for one contact energized
- Insulator / Contact Specifications and Part Number Options See opposite page
- P/N 04-0003-000 for In Between Contact Polarizing Key See Page 186 (Sold Separately)
- Molded-in Key Available - Consult Factory



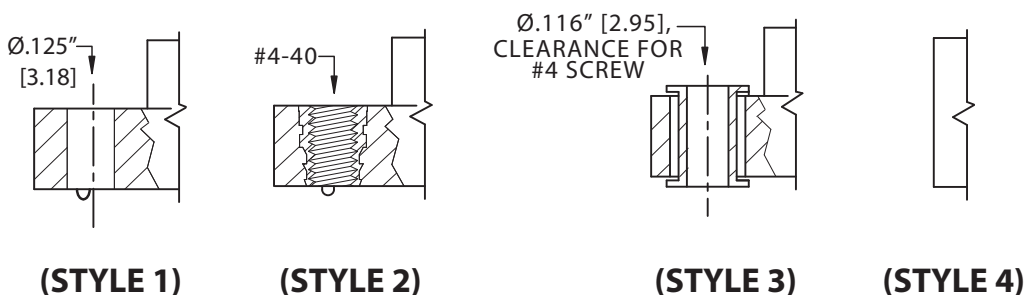
TERMINATION TYPE



CARD EXTENDER (SE)

**Example P/N:
MPSL-0125-10-DSE-1K**

MOUNTING STYLE



PART NUMBER OPTIONS

MPSL - 0 125 - 10 - D SE - 1 K

PLATING - RoHS Compliant

All Platings are Lead Free and have .000050" Nickel Underplate

Contact Surface Termination

*MPSL = .000010" Gold .000100" Pure Tin Matte

*MPL = .000100" Overall Pure Tin, Matte

MP = .000010" Overall Gold

* Requires 'K' Modification Code

Other Plating and thicknesses available upon request

Refer to Page 142 for Operating/Processing Temperatures

INSULATOR MATERIAL**

0 = PBT

CONTACT CENTERS

125 = .125" [3.18 mm]

NUMBER OF POSITIONS

Contacts Per Row (See Position Chart Below)

PLATING MODIFICATION CODE**

K = Required on MPSL or MPL Plating

Omit for MP Plating (Overall Gold)

MOUNTING STYLE (See Opposite Page)

1 = .125" [3.18 mm] Clearance Hole

2 = #4-40 Threaded Insert

3 = Floating Bobbin

4 = No Mounting

TERMINATION TYPE (See Opposite Page)

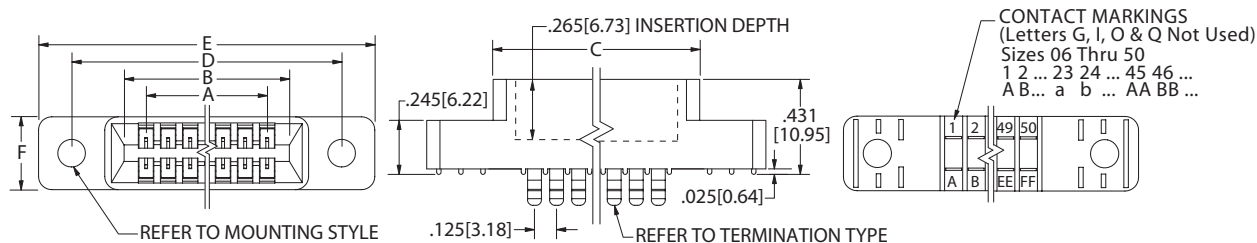
SE = Card Extender

READOUT

D = Dual

**See Pages 142-143 for Specifications and other Variations

DIMENSIONS Dimensions in [] are in millimeters, all others are in inches.



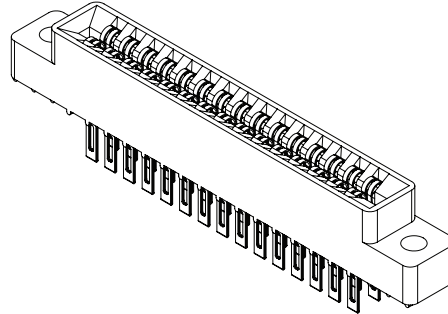
POSITIONS/ CONTACTS	INCHES						MILLIMETERS						
	A±.008	B±.008	C±.015	D±.010	E±.020	F+/.005/-0.015	A±0.20	B±0.20	C±0.38	D±0.25	E±0.51	F+0.13/-0.38	
06/12	0.625	0.875	1.035	1.295	1.575	0.330	15.88	22.23	26.29	32.89	40.01	8.38	
10/20	1.125	1.375	1.535	1.795	2.075		28.58	34.93	38.99	45.59	52.71		
14/28	1.625	1.875	2.035	2.295	2.575		41.28	47.63	51.69	58.29	65.41		
15/30	1.750	2.000	2.160	2.420	2.700		44.45	50.80	54.86	61.47	68.58		
18/36	2.125	2.375	2.535	2.795	3.075		53.98	60.33	64.39	70.99	78.11		
22/44	2.625	2.875	3.035	3.295	3.575		66.68	73.03	77.09	83.69	90.81		
28/56	3.375	3.625	3.785	4.045	4.325		85.73	92.08	96.14	102.74	109.86		
30/60	3.625	3.875	4.035	4.295	4.575		92.08	98.43	102.49	109.09	116.21		
31/62	3.750	4.000	4.160	4.420	4.700		95.25	101.60	105.66	112.27	119.38		
35/70	4.250	4.500	4.660	4.920	5.200		107.95	114.30	118.36	124.97	132.08		
36/72	4.375	4.625	4.785	5.045	5.325		111.13	117.48	121.54	128.14	135.26		
37/74	4.500	4.750	4.910	5.170	5.450		114.30	120.65	124.71	131.32	138.43		
40/80	4.875	5.125	5.285	5.545	5.825		123.83	130.18	134.24	140.84	147.96		9.40
43/86	5.250	5.500	5.660	5.920	6.200		133.35	139.70	143.76	150.37	157.48		
44/88	5.375	5.625	5.785	6.045	6.325	136.53	142.88	146.94	153.54	160.66			
49/98	6.000	6.250	6.410	6.670	6.950	152.40	158.75	162.81	169.42	176.53			
50/100	6.125	6.375	6.535	6.795	7.075	155.58	161.93	165.99	172.59	179.71			

Micro Plastics Brand Card Edge

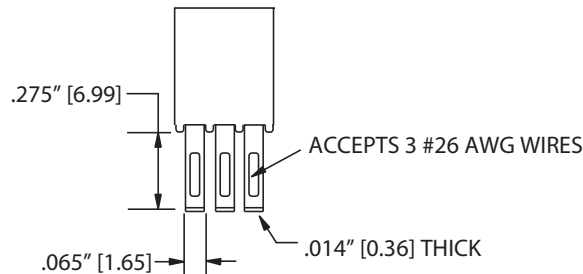
.125" [3.18 mm] Contact Centers, .431" [10.95 mm] Insulator Height, Eyelet

SPECIFICATIONS

- Accommodates $.062" \pm .008"$ [1.57 mm \pm 0.20 mm] PC Board
- Insulator Material available in PBT, PPS, or PA9T
- 3 Amps current rating for one contact energized
- Insulator / Contact Specifications and Part Number Options See opposite page
- P/N 04-0003-000 for In Between Contact Polarizing Key See Page 186 (Sold Separately)
- Molded-in Key Available - Consult Factory



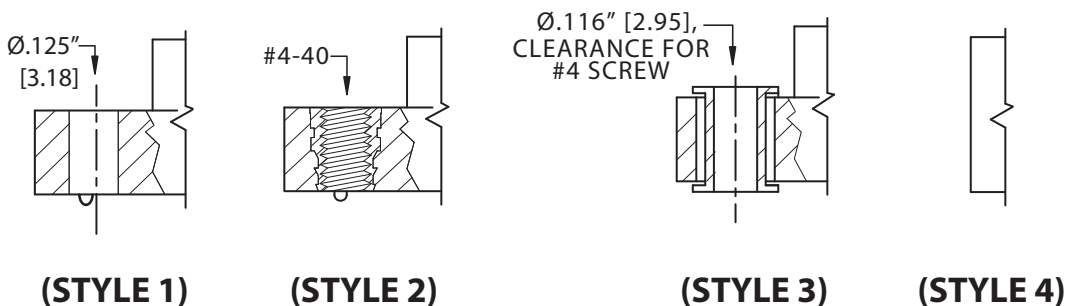
TERMINATION TYPE



EYELET (P)

**Example P/N:
MP-0125-10-DP-1**

MOUNTING STYLE



PART NUMBER OPTIONS

MPL - 0 125 - 10 - D P - 1 K

PLATING - RoHS Compliant

All Platings are Lead Free and have .000050" Nickel Underplate

*MPL = .000100" Overall Pure Tin, Matte

MP = .000010" Overall Gold

* Requires 'K' Modification Code

Other Plating and thicknesses available upon request

Refer to Page 142 for Operating/Processing Temperatures

INSULATOR MATERIAL **

0 = PBT

CONTACT CENTERS

125 = .125" [3.18 mm]

NUMBER OF POSITIONS

Contacts Per Row (See Position Chart Below)

PLATING MODIFICATION CODE**

K = Required on Tin Plating

Omit for MP Plating (Overall Gold)

MOUNTING STYLE (See Opposite Page)

1 = .125" [3.18 mm] Clearance Hole

2 = #4-40 Threaded Insert

3 = Floating Bobbin

4 = No Mounting

TERMINATION TYPE (See Opposite Page)

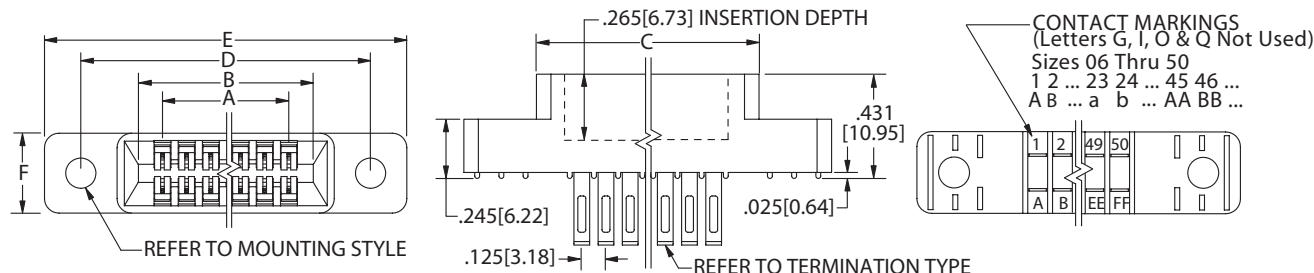
P = Pierced Eyelet, .014" [0.36 mm] Thick

READOUT

D = Dual

** See Pages 142-143 for Specifications and other Variations

DIMENSIONS Dimensions in [] are in millimeters, all others are in inches.



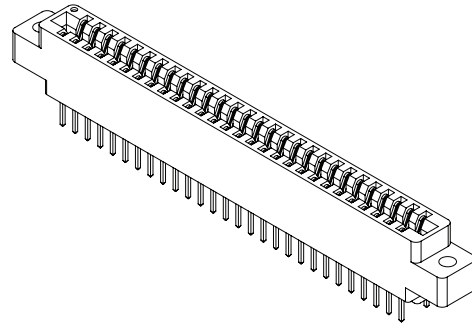
POSITIONS/ CONTACTS	INCHES						MILLIMETERS					
	A±.008	B±.008	C±.015	D±.010	E±.020	F+.005/- .015	A±0.20	B±0.20	C±0.38	D±0.25	E±0.51	F+0.13/-0.38
06/12	0.625	0.875	1.035	1.295	1.575	0.330	15.88	22.23	26.29	32.89	40.01	8.38
10/20	1.125	1.375	1.535	1.795	2.075		28.58	34.93	38.99	45.59	52.71	
14/28	1.625	1.875	2.035	2.295	2.575		41.28	47.63	51.69	58.29	65.41	
15/30	1.750	2.000	2.160	2.420	2.700		44.45	50.80	54.86	61.47	68.58	
18/36	2.125	2.375	2.535	2.795	3.075		53.98	60.33	64.39	70.99	78.11	
22/44	2.625	2.875	3.035	3.295	3.575		66.68	73.03	77.09	83.69	90.81	
28/56	3.375	3.625	3.785	4.045	4.325		85.73	92.08	96.14	102.74	109.86	
30/60	3.625	3.875	4.035	4.295	4.575		92.08	98.43	102.49	109.09	116.21	
31/62	3.750	4.000	4.160	4.420	4.700		95.25	101.60	105.66	112.27	119.38	
35/70	4.250	4.500	4.660	4.920	5.200		107.95	114.30	118.36	124.97	132.08	
36/72	4.375	4.625	4.785	5.045	5.325	111.13	117.48	121.54	128.14	135.26		
37/74	4.500	4.750	4.910	5.170	5.450	114.30	120.65	124.71	131.32	138.43		
40/80	4.875	5.125	5.285	5.545	5.825	0.370	123.83	130.18	134.24	140.84	147.96	9.40
43/86	5.250	5.500	5.660	5.920	6.200		133.35	139.70	143.76	150.37	157.48	
44/88	5.375	5.625	5.785	6.045	6.325		136.53	142.88	146.94	153.54	160.66	
49/98	6.000	6.250	6.410	6.670	6.950		152.40	158.75	162.81	169.42	176.53	
50/100	6.125	6.375	6.535	6.795	7.075		155.58	161.93	165.99	172.59	179.71	

Micro Plastics Brand Card Edge

.125" [3.18 mm] Contact Centers, .610" [15.49 mm] Insulator Height, Wire Wrap & Dip Solder

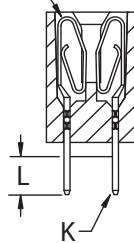
SPECIFICATIONS

- Accommodates .062" ± .008" [1.57 mm ± 0.20 mm] PC Board
- Insulator Material available in PBT, PPS, or PA9T
- 3 Amps current rating for one contact energized
- Insulator / Contact Specifications and Part Number Options See opposite page
- P/N 04-0004-000 for In Between Contact Polarizing Key See Page 186 (Sold Separately)
- Molded-in Key Available - Consult Factory



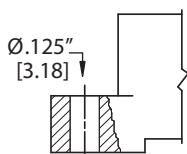
TERMINATION TYPE

LOOP BELLOWS

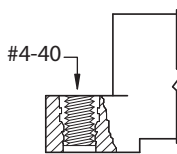


TERMINATION CODE	MODIFICATION CODE	TYPE	POST CROSS SECTION K	POST LENGTH L	FITS MIN. HOLE SIZE	EXAMPLE PART NUMBER
R	H	Dip Solder	.025" [0.64] Round	.190" [4.83]	.033" [0.84]	<i>MPSL-0125-10-DR-1HK</i>
R	H(.165)	Dip Solder	.025" [0.64] Round	.165" [4.19]	.033" [0.84]	<i>MPSL-0125-10-DR-1HK(.165)</i>
W	H	Dip Solder	.025" [0.64] Square	.190" [4.83]	.040" [1.02]	<i>MPSL-0125-10-DW-1HK</i>
W	OMIT	Wire Wrap	.025" [0.64] Square	.560" [14.20]	.040" [1.02]	<i>MPSL-0125-10-DW-1K</i>

MOUNTING STYLE



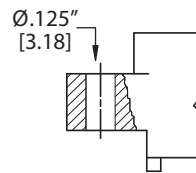
(STYLE 1)



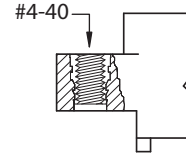
(STYLE 2)



(STYLE 4)



(STYLE 5)



(STYLE 6)

.125" [3.18 mm] Contact Centers, .610" [15.49 mm] Insulator Height, Wire Wrap & Dip Solder

PART NUMBER OPTIONS

PLATING - RoHS Compliant

All Platings are Lead Free and have .000050" Nickel Underplate

Contact Surface Termination

*MPSL = .000010" Gold .000100" Pure Tin, Matte

*MPL = .000100" Overall Pure Tin, Matte

MP = .000010" Overall Gold

*Requires 'K' Modification Code

Refer to Page 142 for Operating/Processing Temperatures

INSULATOR MATERIAL**

0 = PBT

CONTACT CENTERS

125 = .125" [3.18 mm]

NUMBER OF POSITIONS

Contacts Per Row (See Position Chart Below)

READOUT

D = Dual

MPSL - 0 125 - 10 - D W - 1 H K

PLATING MODIFICATION CODE**

K = Required on MPSL or MPL Plating
Omit for MP Plating (Overall Gold)

MODIFICATION CODE**

(See Opposite Page)

H = Dip Solder .190" [4.83 mm] Tail Length
(.025" [0.64 mm] Round) or
(.025" [0.64 mm] Square)

H(.165) = Dip Solder .165" [4.19 mm] Tail Length
(.025" [0.64 mm] Round Only)

MOUNTING STYLE (See Opposite Page)

1 = .125" [3.18 mm] Clearance Hole
2 = #4-40 Threaded Insert
4 = No Mounting
5 = Raised, .125" [3.18 mm] Clearance Hole
6 = Raised, #4-40 Threaded Insert

TERMINATION TYPE (See Opposite Page)

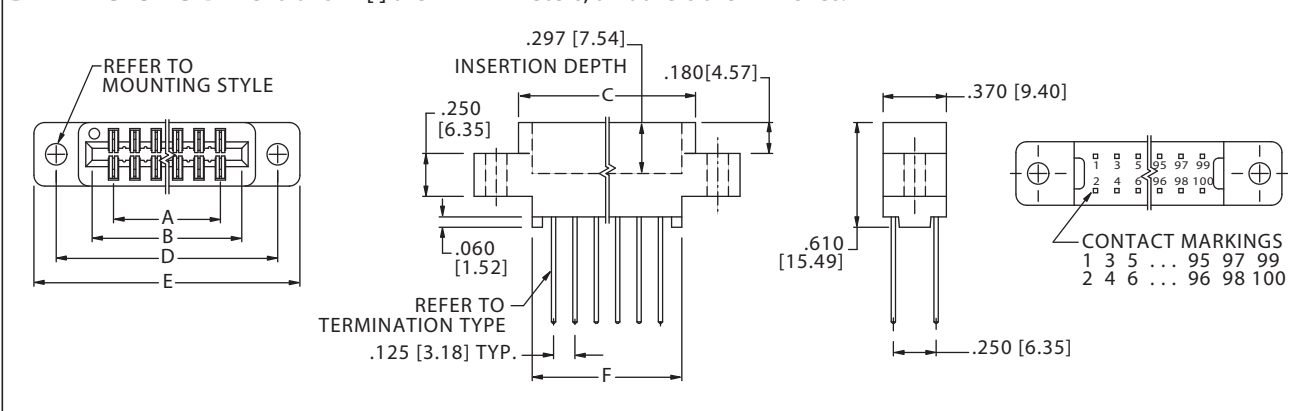
LOOP BELLOWS

R = .025" [0.64 mm] Round

W = .025" [0.64 mm] Square

** See Pages 142-143 for Specifications and other Variations

DIMENSIONS Dimensions in [] are in millimeters, all others are in inches.



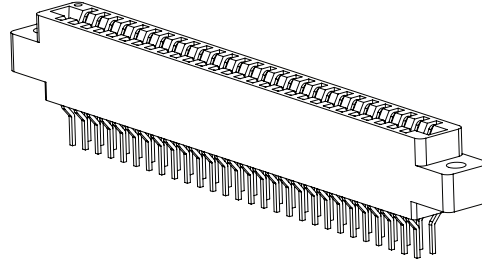
POSITIONS/ CONTACTS	INCHES						MILLIMETERS					
	A±.008	B±.008	C±.015	D±.010	E±.020	F±.015	A±0.20	B±0.20	C±0.38	D±0.25	E±0.51	F±0.38
06/12	0.625	0.875	1.035	1.295	1.555	0.875	15.88	22.23	26.29	32.89	39.50	22.23
10/20	1.125	1.375	1.535	1.795	2.055	1.375	28.58	34.93	38.99	45.59	52.20	34.93
14/28	1.625	1.875	2.035	2.295	2.555	1.875	41.28	47.63	51.69	58.29	64.90	47.63
15/30	1.750	2.000	2.160	2.420	2.680	2.000	44.45	50.80	54.86	61.47	68.07	50.80
18/36	2.125	2.375	2.535	2.795	3.055	2.375	53.98	60.33	64.39	70.99	77.60	60.33
22/44	2.625	2.875	3.035	3.295	3.555	2.875	66.68	73.03	77.09	83.69	90.30	73.03
24/48	2.875	3.125	3.285	3.545	3.805	3.125	73.03	79.38	83.44	90.04	96.65	79.38
28/56	3.375	3.625	3.785	4.045	4.305	3.625	85.73	92.08	96.14	102.74	109.35	92.08
30/60	3.625	3.875	4.035	4.295	4.555	3.875	92.08	98.43	102.49	109.09	115.70	98.43
31/62	3.750	4.000	4.160	4.420	4.680	4.000	95.25	101.60	105.66	112.27	118.87	101.60
32/64	3.875	4.125	4.285	4.545	4.805	4.125	98.43	104.78	108.84	115.44	122.05	104.78
35/70	4.250	4.500	4.660	4.920	5.180	4.500	107.95	114.30	118.36	124.97	131.57	114.30
36/72	4.375	4.625	4.785	5.045	5.305	4.625	111.13	117.48	121.54	128.14	134.75	117.48
40/80	4.875	5.125	5.285	5.545	5.805	5.125	123.83	130.18	134.24	140.84	147.45	130.18
43/86	5.250	5.500	5.660	5.920	6.180	5.500	133.35	139.70	143.76	150.37	156.97	139.70
44/88	5.375	5.625	5.785	6.045	6.305	5.625	136.53	142.88	146.94	153.54	160.15	142.88
49/98	6.000	6.250	6.410	6.670	6.930	6.250	152.40	158.75	162.81	169.42	176.02	158.75
50/100	6.125	6.375	6.535	6.795	7.055	6.375	155.58	161.93	165.99	172.59	179.20	161.93

Micro Plastics Brand Card Edge

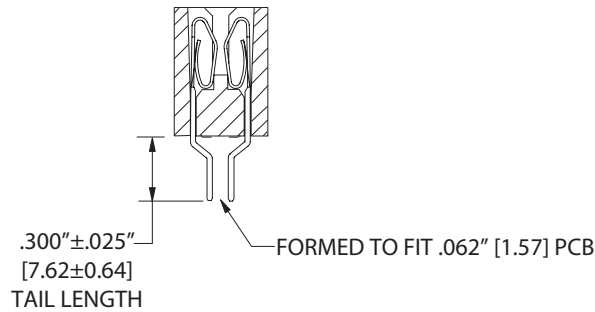
**.125" [3.18 mm] Contact Centers, .550" [13.97 mm] Insulator Height,
.025" [0.64 mm] Square Card Extender**

SPECIFICATIONS

- Accommodates $.062" \pm .008"$ [1.57 mm \pm 0.20 mm] PC Board
- Insulator Material available in PBT, PPS, or PA9T
- 3 Amps current rating for one contact energized
- Insulator / Contact Specifications and Part Number Options See opposite page
- P/N 04-0004-000 for In Between Contact Polarizing Key See Page 186 (Sold Separately)
- Molded-in Key Available - Consult Factory

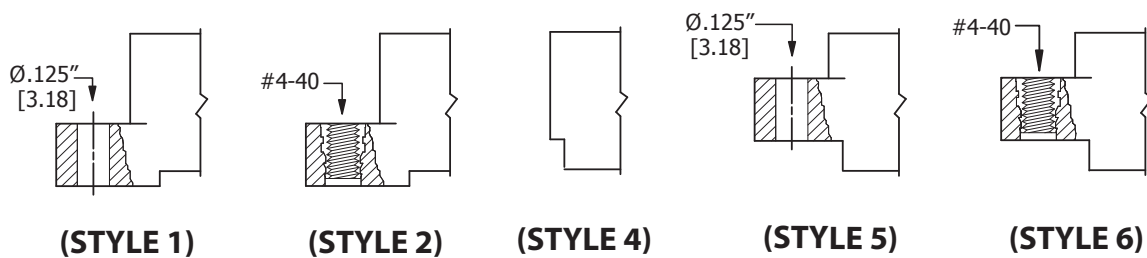


TERMINATION TYPE



Example P/N: MPSL-0125-10-DWE-4KTT

MOUNTING STYLE



.125" [3.18 mm] Contact Centers, .550" [13.97 mm] Insulator Height, .025" [0.64 mm] Square Card Extender

PART NUMBER OPTIONS

MPSL - 0 125 - 10 - D WE - 4 K TT

PLATING - RoHS Compliant
All Platings are Lead Free and have .000050" Nickel Underplate

Contact Surface Termination

*MPSL = .000010" Gold .000100" Pure Tin, Matte

*MPL = .000100" Overall Pure Tin, Matte

MP = .000010" Overall Gold

***Requires 'K' Modification Code**

Refer to Page 142 for Operating/Processing Temperatures

INSULATOR MATERIAL**

0 = PBT

CONTACT CENTERS

125 = .125" [3.18 mm]

NUMBER OF POSITIONS

Contacts Per Row (See Position Chart Below)

READOUT

D = Dual

MODIFICATION CODE**

TT = No Standoffs

PLATING MODIFICATION CODE**

K = Required on MPSL or MPL Plating

Omit for MP Plating (Overall Gold)

MOUNTING STYLE (See Opposite Page)

1 = .125" [3.18 mm] Clearance Hole

2 = #4-40 Threaded Insert

4 = No Mounting

5 = Raised, .125" [3.18 mm] Clearance Hole

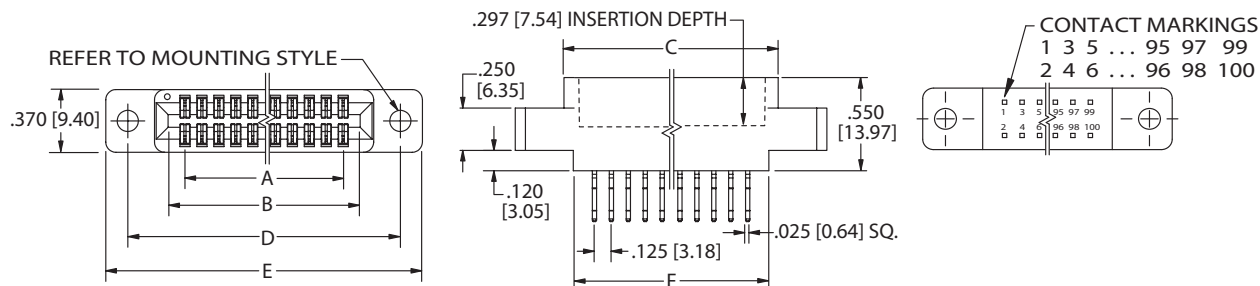
6 = Raised, #4-40 Threaded Insert

TERMINATION TYPE (See Opposite Page)

WE = Card Extender

**** See Pages 142-143 for Specifications and other Variations**

DIMENSIONS Dimensions in [] are in millimeters, all others are in inches.



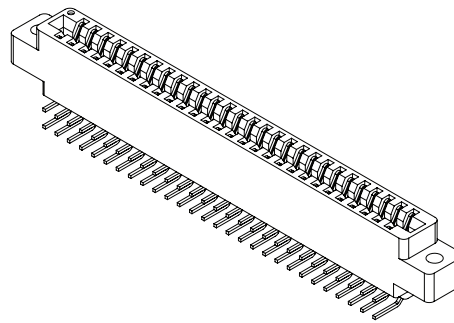
POSITIONS/ CONTACTS	INCHES						MILLIMETERS					
	A±.008	B±.008	C±.015	D±.010	E±.020	F±.015	A±0.20	B±0.20	C±0.38	D±0.25	E±0.51	F±0.38
06/12	0.625	0.875	1.035	1.295	1.555	0.875	15.88	22.23	26.29	32.89	39.50	22.23
10/20	1.125	1.375	1.535	1.795	2.055	1.375	28.58	34.93	38.99	45.59	52.20	34.93
14/28	1.625	1.875	2.035	2.295	2.555	1.875	41.28	47.63	51.69	58.29	64.90	47.63
15/30	1.750	2.000	2.160	2.420	2.680	2.000	44.45	50.80	54.86	61.47	68.07	50.80
18/36	2.125	2.375	2.535	2.795	3.055	2.375	53.98	60.33	64.39	70.99	77.60	60.33
22/44	2.625	2.875	3.035	3.295	3.555	2.875	66.68	73.03	77.09	83.69	90.30	73.03
24/48	2.875	3.125	3.285	3.545	3.805	3.125	73.03	79.38	83.44	90.04	96.65	79.38
28/56	3.375	3.625	3.785	4.045	4.305	3.625	85.73	92.08	96.14	102.74	109.35	92.08
30/60	3.625	3.875	4.035	4.295	4.555	3.875	92.08	98.43	102.49	109.09	115.70	98.43
31/62	3.750	4.000	4.160	4.420	4.680	4.000	95.25	101.60	105.66	112.27	118.87	101.60
32/64	3.875	4.125	4.285	4.545	4.805	4.125	98.43	104.78	108.84	115.44	122.05	104.78
35/70	4.250	4.500	4.660	4.920	5.180	4.500	107.95	114.30	118.36	124.97	131.57	114.30
36/72	4.375	4.625	4.785	5.045	5.305	4.625	111.13	117.48	121.54	128.14	134.75	117.48
40/80	4.875	5.125	5.285	5.545	5.805	5.125	123.83	130.18	134.24	140.84	147.45	130.18
43/86	5.250	5.500	5.660	5.920	6.180	5.500	133.35	139.70	143.76	150.37	156.97	139.70
44/88	5.375	5.625	5.785	6.045	6.305	5.625	136.53	142.88	146.94	153.54	160.15	142.88
49/98	6.000	6.250	6.410	6.670	6.930	6.250	152.40	158.75	162.81	169.42	176.02	158.75
50/100	6.125	6.375	6.535	6.795	7.055	6.375	155.58	161.93	165.99	172.59	179.20	161.93

Micro Plastics Brand Card Edge

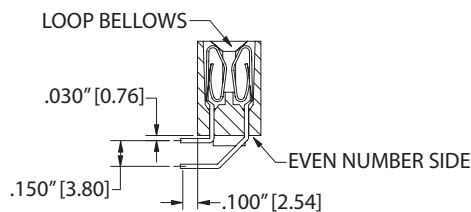
.125" [3.18 mm] Contact Centers, .610" [15.49 mm] Insulator Height, Right Angle

SPECIFICATIONS

- Accommodates .062" ± .008" [1.57 mm ± 0.20 mm] PC Board
- Insulator Material available in PBT, PPS, or PA9T
- 3 Amps current rating for one contact energized
- Insulator / Contact Specifications and Part Number Options See opposite page
- P/N 04-0004-000 for In Between Contact Polarizing Key See Page 186 (Sold Separately)
- Molded-in Key Available - Consult Factory

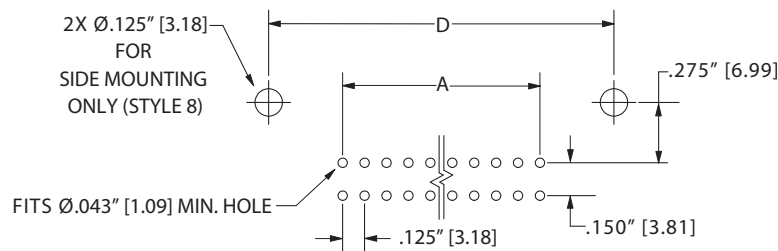


TERMINATION TYPE

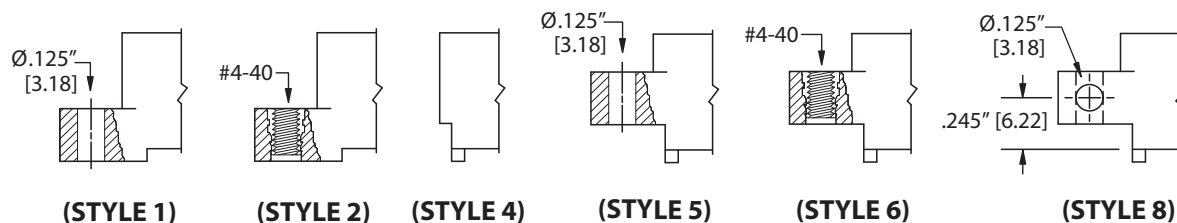


Example P/N: MP-0125-10-DW-1R

PCB LAYOUT



MOUNTING STYLE



PART NUMBER OPTIONS

MPSL - 0 125 - 10 - D W - 1 K R

PLATING - RoHS Compliant
All Platings are Lead Free and have .000050" Nickel Underplate

Contact Surface Termination

*MPSL = .000010" Gold .000100" Pure Tin, Matte

*MPL = .000100" Overall Pure Tin, Matte

MP = .000010" Overall Gold

***Requires 'K' Modification Code**

Refer to Page 142 for Operating/Processing Temperatures

INSULATOR MATERIAL**

0 = PBT

CONTACT CENTERS

125 = .125" [3.18 mm]

NUMBER OF POSITIONS

Contacts Per Row (See Position Chart Below)

READOUT

D = Dual

MODIFICATION CODE**

R = Right Angle

PLATING MODIFICATION CODE**

K = Required on MPSL or MPL Plating

Omit for MP Plating (Overall Gold)

MOUNTING STYLE (See Opposite Page)

1 = .125" [3.18 mm] Clearance Hole

2 = #4-40 Threaded Insert

4 = No Mounting

5 = Raised, .125" [3.18 mm] Clearance Hole

6 = Raised, #4-40 Threaded Insert

8 = Raised, Side Mounting, .125" [3.18 mm] Clearance Hole

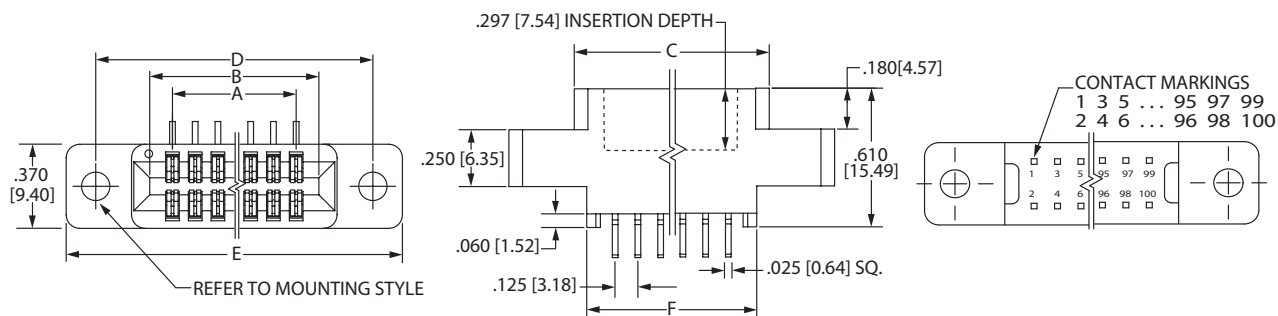
TERMINATION TYPE (See Opposite Page)

LOOP BELLOWS

W = .025" [0.64 mm] Square

**** See Pages 142-143 for Specifications and other Variations**

DIMENSIONS Dimensions in [] are in millimeters, all others are in inches.



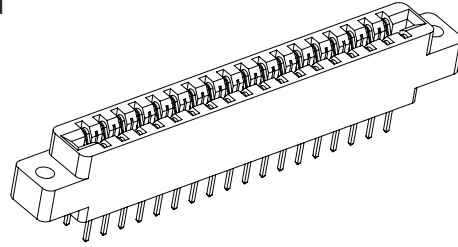
POSITIONS/ CONTACTS	INCHES						MILLIMETERS					
	A±.008	B±.008	C±.015	D±.010	E±.020	F±.015	A±0.20	B±0.20	C±0.38	D±0.25	E±0.51	F±0.38
06/12	0.625	0.875	1.035	1.295	1.555	0.875	15.88	22.23	26.29	32.89	39.50	22.23
10/20	1.125	1.375	1.535	1.795	2.055	1.375	28.58	34.93	38.99	45.59	52.20	34.93
14/28	1.625	1.875	2.035	2.295	2.555	1.875	41.28	47.63	51.69	58.29	64.90	47.63
15/30	1.750	2.000	2.160	2.420	2.680	2.000	44.45	50.80	54.86	61.47	68.07	50.80
18/36	2.125	2.375	2.535	2.795	3.055	2.375	53.98	60.33	64.39	70.99	77.60	60.33
22/44	2.625	2.875	3.035	3.295	3.555	2.875	66.68	73.03	77.09	83.69	90.30	73.03
24/48	2.875	3.125	3.285	3.545	3.805	3.125	73.03	79.38	83.44	90.04	96.65	79.38
28/56	3.375	3.625	3.785	4.045	4.305	3.625	85.73	92.08	96.14	102.74	109.35	92.08
30/60	3.625	3.875	4.035	4.295	4.555	3.875	92.08	98.43	102.49	109.09	115.70	98.43
31/62	3.750	4.000	4.160	4.420	4.680	4.000	95.25	101.60	105.66	112.27	118.87	101.60
32/64	3.875	4.125	4.285	4.545	4.805	4.125	98.43	104.78	108.84	115.44	122.05	104.78
35/70	4.250	4.500	4.660	4.920	5.180	4.500	107.95	114.30	118.36	124.97	131.57	114.30
36/72	4.375	4.625	4.785	5.045	5.305	4.625	111.13	117.48	121.54	128.14	134.75	117.48
40/80	4.875	5.125	5.285	5.545	5.805	5.125	123.83	130.18	134.24	140.84	147.45	130.18
43/86	5.250	5.500	5.660	5.920	6.180	5.500	133.35	139.70	143.76	150.37	156.97	139.70
44/88	5.375	5.625	5.785	6.045	6.305	5.625	136.53	142.88	146.94	153.54	160.15	142.88
49/98	6.000	6.250	6.410	6.670	6.930	6.250	152.40	158.75	162.81	169.42	176.02	158.75
50/100	6.125	6.375	6.535	6.795	7.055	6.375	155.58	161.93	165.99	172.59	179.20	161.93

Micro Plastics Brand Card Edge

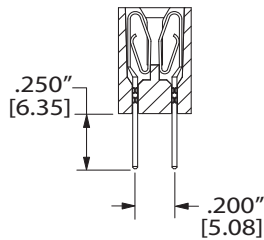
**.150" [3.81 mm] Contact Centers, .550" [13.97 mm] Insulator Height,
.025" [0.64 mm] Square & .025" [0.64 mm] Round Dip Solder**

SPECIFICATIONS

- Accommodates .062" ± .008" [1.57 mm ± 0.20 mm] PC Board
- Insulator Material available in PBT, PPS, or PA9T
- 3 Amps current rating for one contact energized
- Insulator / Contact Specifications and Part Number Options See opposite page
- P/N 04-0004-000 for In Between Contact Polarizing Key See Page 186 (Sold Separately)
- Molded-in Key Available - Consult Factory

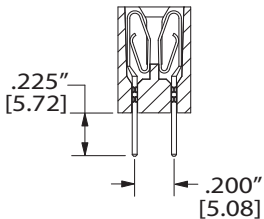


TERMINATION TYPE



.250" [6.35] TAIL LENGTH

Termination Code	Modification Code	Termination Type	Fits Min. Hole Size	Example Part Number
W	H	.025" [0.64] Square	.040" [1.02]	<i>MPSL-0150-18-DW-1HK</i>
R	H	.025" [0.64] Round	.033" [0.84]	<i>MPSL-0150-18-DR-1HK</i>



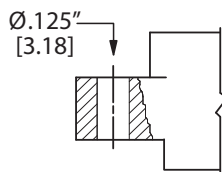
.225" [5.72] TAIL LENGTH

Termination Code	Modification Code	Termination Type	Fits Min. Hole Size	Example Part Number
R	H(.225)	.025" [0.64] Round	.033" [0.84]	<i>MPSL-0150-18-DR-1HK(.225)</i>

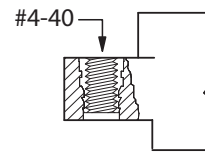
MOUNTING STYLE



(STYLE 4)



(STYLE 5)



(STYLE 6)

.150" [3.81 mm] Contact Centers, .550" [13.97 mm] Insulator Height, .025" [0.64 mm] Square & .025" [0.64 mm] Round Dip Solder

PART NUMBER OPTIONS

MPSL - 0 150 - 18 - D W - 1 H K

PLATING - RoHS Compliant

All Platings are Lead Free and have .000050" Nickel Underplate

Contact Surface Termination

*MPSL = .000010" Gold .000100" Pure Tin Matte

*MPL = .000100" Overall Pure Tin, Matte

MP = .000010" Overall Gold

*** Requires 'K' Modification Code**

Refer to Page 142 for Operating/Processing Temperatures

INSULATOR MATERIAL**

0 = PBT

CONTACT CENTERS

150 = .150" [3.81 mm]

NUMBER OF POSITIONS

Contacts Per Row (See Position Chart Below)

READOUT

D = Dual

PLATING MODIFICATION CODE**

K = Required on MPSL or MPL Plating
Omit for MP Plating (Overall Gold)

MODIFICATION CODE**

(See Opposite Page)

H = Dip Solder .250" [6.35 mm] Tail Length
(.025" [0.64 mm] Round) or
(.025" [0.64 mm] Square)

H(.225) = Dip Solder .225" [5.72 mm] Tail Length
(.025" [0.64 mm] Round Only)

MOUNTING STYLE (See Opposite Page)

4 = No Mounting

5 = Raised, .125" [3.18 mm] Clearance Hole

6 = Raised, #4-40 Threaded Insert

TERMINATION TYPE (See Opposite Page)

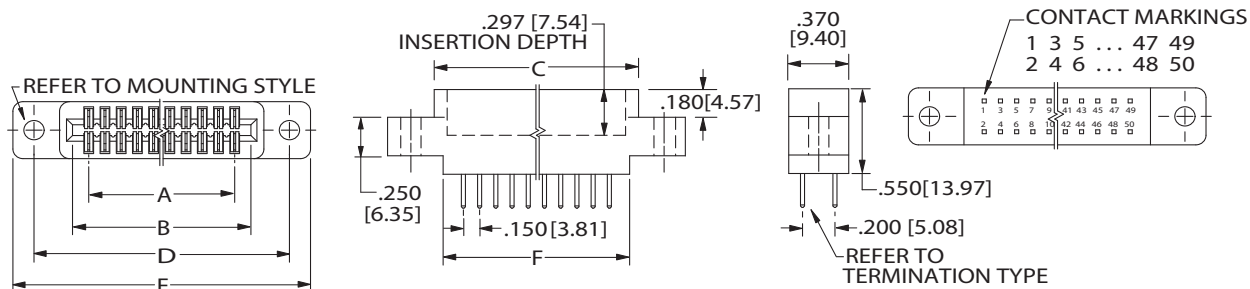
LOOP BELLOWS

W = .025" [0.64 mm] Square

R = .025" [0.64 mm] Round

**** See Pages 142-143 for Specifications and other Variations**

DIMENSIONS Dimensions in [] are in millimeters, all others are in inches.



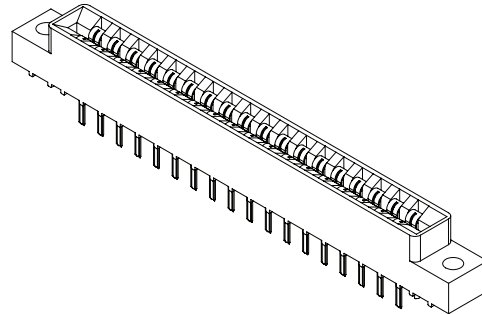
POSITIONS/ CONTACTS	INCHES						MILLIMETERS					
	A±.008	B±.008	C±.015	D±.015	E±.020	F±.015	A±0.20	B±0.20	C±0.38	D±0.38	E±0.51	F±0.38
18/36	2.550	2.850	2.990	3.300	3.550	2.840	64.77	72.39	75.95	83.82	90.17	72.14
25/50	3.600	3.900	4.040	-----	-----	3.890	91.44	99.06	102.62	-----	-----	98.81
26/52	3.750	4.050	4.190	4.500	4.750	4.040	95.25	102.87	106.43	114.30	120.65	102.62
28/56	4.050	4.350	4.490	4.800	5.050	4.340	102.87	110.49	114.05	121.92	128.27	110.24
32/64	4.650	4.950	5.090	5.400	5.650	4.940	118.11	125.73	129.29	137.16	143.51	125.48
50/100	7.350	7.650	7.800	-----	-----	7.640	186.69	194.31	198.12	-----	-----	194.06

Micro Plastics Brand Card Edge

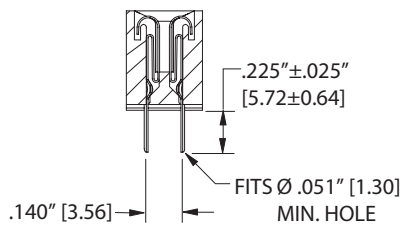
.156" [3.96 mm] Contact Centers, .431" [10.95 mm] Insulator Height, Dip Solder

SPECIFICATIONS

- Accommodates $.062" \pm .008"$ [1.57 mm \pm 0.20 mm] PC Board
- Insulator Material available in PBT, PPS, or PA9T
- 3 Amps current rating for one contact energized (for 5 Amps application, consult factory)
- Insulator / Contact Specifications and Part Number Options See opposite page
- Row Spacing Available in $.140"$ [3.56 mm] or $.200"$ [5.08 mm] (Use Modification Code 'E9' or 'X9' for $.200"$ [5.08 mm])
- P/N 04-0003-000 for In Between Contact Polarizing Key
P/N 04-0002-000 for In Contact Polarizing Key
See Page 186 (Sold Separately)
- Molded-in Key Available - Consult Factory

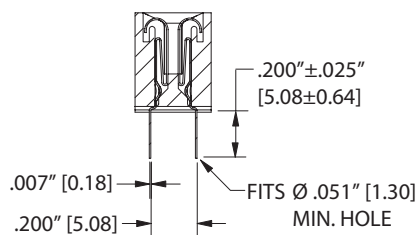


TERMINATION TYPE



DIP SOLDER (S)
.140" [3.56] ROW SPACING

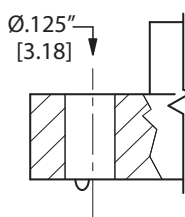
Example P/N: MP~~S~~L-0156-10-DS-1K



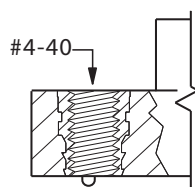
DIP SOLDER (S)
.200" [5.08] ROW SPACING
REQUIRES 'E9' OR 'X9' MODIFICATION CODE

Example P/N: MP~~S~~L-0156-10-DS-1X9K

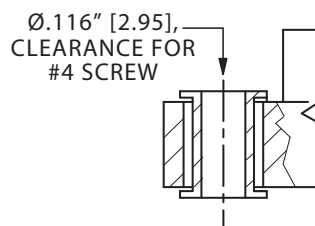
MOUNTING STYLE



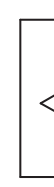
(STYLE 1)



(STYLE 2)



(STYLE 3)



(STYLE 4)

PART NUMBER OPTIONS

MPSL - 0 156 - 10 - D S - 1 K

PLATING - RoHS Compliant

All Platings are Lead Free and have .000050" Nickel Underplate

Contact Surface Termination

*MPSL = .000010" Gold .000100" Pure Tin, Matte

*MPL = .000100" Overall Pure Tin, Matte

MP = .000010" Overall Gold

*Requires 'K' Modification Code

Refer to Page 142 for Operating/Processing Temperatures

INSULATOR MATERIAL**

0 = PBT

CONTACT CENTERS

156 = .156" [3.96 mm]

NUMBER OF POSITIONS

Contacts Per Row (See Position Chart Below)

MODIFICATION CODE**

K = Required on MPSL or MPL Plating

Omit for MP Plating (Overall Gold)

E9, X9 = .200" [5.08 mm] Row Spacing

MOUNTING STYLE (See Opposite Page)

1 = .125" [3.18 mm] Clearance Hole

2 = #4-40 Threaded Insert

3 = Floating Bobbin

4 = No Mounting

TERMINATION TYPE (See Opposite Page)

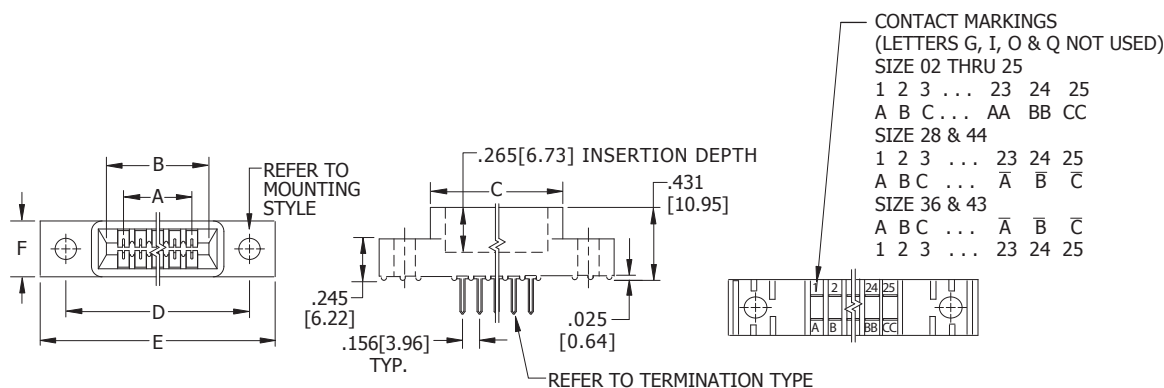
S = Dip Solder

READOUT

D = Dual

** See Pages 142-143 for Specifications and other Variations

DIMENSIONS Dimensions in [] are in millimeters, all others are in inches.



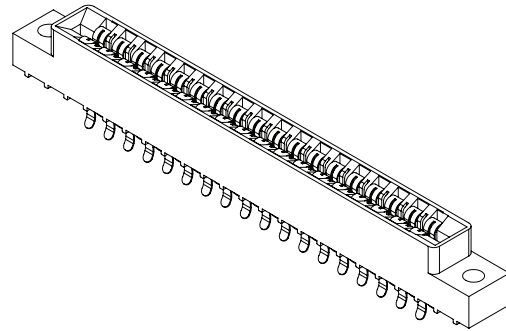
POSITIONS/ CONTACTS	INCHES					MILLIMETERS						
	A±.008	B±.008	C±.015	D±.010	E MAX	F+.005/-0.015	A±0.20	B±0.20	C±0.38	D±0.25	E MAX	F+0.13/-0.38
02/04	0.156	0.476	0.596	'N' MOUNTING		0.325	3.96	12.09	15.14	'N' MOUNTING		8.26
03/06	0.312	0.632	0.752				7.92	16.05	19.10			
06/12	0.780	1.100	1.220	1.533	1.902		19.81	27.94	30.99	38.94	48.31	
08/16	1.092	1.412	1.532	1.845	2.214		27.74	35.86	38.91	46.86	56.24	
10/20	1.404	1.724	1.844	2.157	2.526		35.66	43.79	46.84	54.79	64.16	
11/22	1.560	1.880	2.000	2.313	2.682		39.62	47.75	50.80	58.75	68.12	
12/24	1.716	2.036	2.156	2.469	2.838		43.59	51.71	54.76	62.71	72.09	
15/30	2.184	2.504	2.624	2.937	3.306		55.47	63.60	66.65	74.60	83.97	
18/36	2.652	2.972	3.092	3.405	3.774		67.36	75.49	78.54	86.49	95.86	
22/44	3.276	3.596	3.716	4.029	4.398		83.21	91.34	94.39	102.34	111.71	
24/48	3.588	3.908	4.028	4.341	4.710	91.14	99.26	102.31	110.26	119.63		
25/50	3.744	4.064	4.184	4.497	4.866	95.10	103.23	106.27	114.22	123.60		
28/56	4.212	4.532	4.652	4.965	5.334	0.438	106.98	115.11	118.16	126.11	135.48	11.13
36/72	5.460	5.780	5.900	6.213	6.582		138.68	146.81	149.86	157.81	167.18	
43/86	6.552	6.872	6.992	7.305	7.674	0.500	166.42	174.55	177.60	185.55	194.92	12.70
44/88	6.708	7.028	7.148	7.461	7.830		170.38	178.51	181.56	189.51	198.88	

Micro Plastics Brand Card Edge

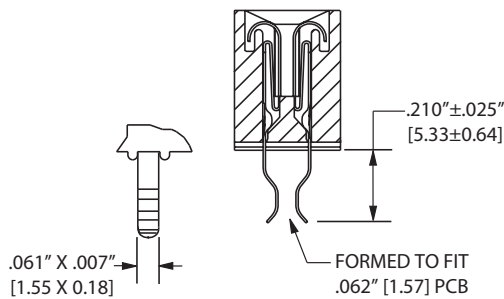
.156" [3.96 mm] Contact Centers, .431" [10.95 mm] Insulator Height, Card Extender

SPECIFICATIONS

- Accommodates $.062" \pm .008"$ [1.57 mm \pm 0.20 mm] PC Board
- Insulator Material available in PBT, PPS, or PA9T
- 3 Amps current rating for one contact energized (for 5 Amps application, consult factory)
- Insulator / Contact Specifications and Part Number Options See opposite page
- P/N 04-0003-000 for In Between Contact Polarizing Key
P/N 04-0002-000 for In Contact Polarizing Key
See Page 186 (Sold Separately)
- Molded-in Key Available - Consult Factory

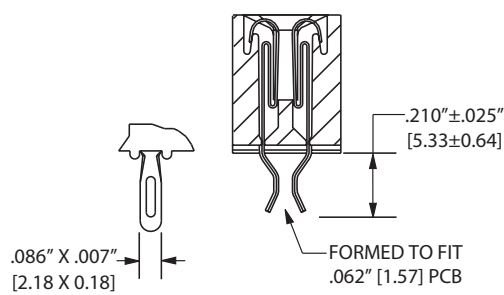


TERMINATION TYPE



CARD EXTENDER (SE)

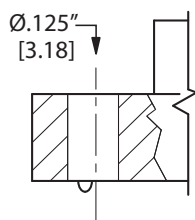
Example P/N: MP~~SL~~-0156-10-D~~SE~~-1K



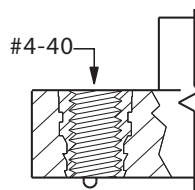
**ECONOMY EYELET
CARD EXTENDER (PE)**

Example P/N: EM~~PL~~-0156-10-D~~PE~~-1K

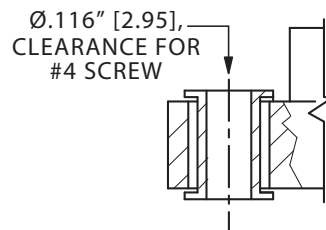
MOUNTING STYLE



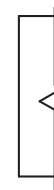
(STYLE 1)



(STYLE 2)



(STYLE 3)



(STYLE 4)

PART NUMBER OPTIONS

MPSL - 0 156 - 10 - D SE - 1 K

PLATING - RoHS Compliant

All Platings are Lead Free and have .000050" Nickel Underplate

Contact Surface	Termination
*MPSL = .000010" Gold	.000100" Pure Tin Matte
*MPL = .000100" Overall Pure Tin, Matte	
MP = .000010" Overall Gold	

Platings that start with 'E' are for Economy Eyelet Only

*EMPSL = .000010" Gold	.000100" Pure Tin Matte
*EMPL = .000100" Overall Pure Tin, Matte	
EMP = .000010" Overall Gold	

* Requires 'K' Modification Code

Other Plating and thicknesses available upon request
Refer to Page 142 for Operating/Processing Temperatures

INSULATOR MATERIAL**

0 = PBT

CONTACT CENTERS

156 = .156" [3.96 mm]

NUMBER OF POSITIONS

Contacts Per Row (See Position Chart Below)

PLATING MODIFICATION CODE**

K = Required on MPSL, MPL, EMPSL, or EMPL Plating

Omit for MP Plating (Overall Gold)

MOUNTING STYLE (See Opposite Page)

- 1 = .125" [3.18 mm] Clearance Hole
- 2 = #4-40 Threaded Insert
- 3 = Floating Bobbin
- 4 = No Mounting

TERMINATION TYPE (See Opposite Page)

SE = Card Extender

Requires Part Number to start with 'M'

PE = Economy Eyelet Card Extender

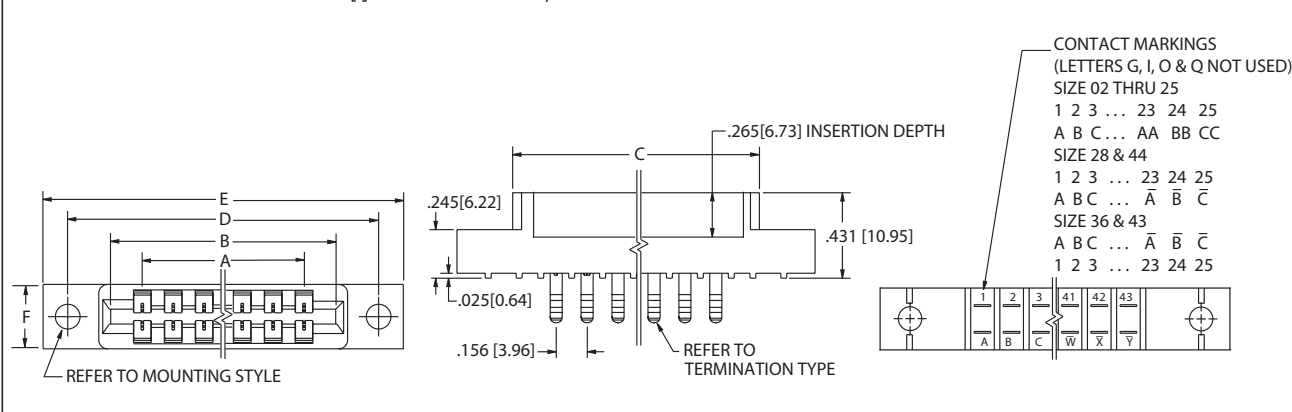
Requires Part Number to start with 'E'

READOUT

D = Dual

** See Pages 142-143 for Specifications and other Variations

DIMENSIONS Dimensions in [] are in millimeters, all others are in inches.



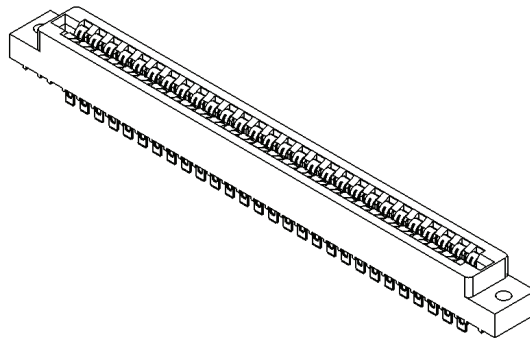
POSITIONS/ CONTACTS	INCHES						MILLIMETERS					
	A±.008	B±.008	C±.015	D±.010	E MAX	F+-.005/-0.015	A±0.20	B±0.20	C±0.38	D±0.25	E MAX	F+0.13/-0.38
02/04	0.156	0.476	0.596	'N' MOUNTING			3.96	12.09	15.14	'N' MOUNTING		
03/06	0.312	0.632	0.752				7.92	16.05	19.10			
06/12	0.780	1.100	1.220	1.533	1.902	0.325	19.81	27.94	30.99	38.94	48.31	8.26
08/16	1.092	1.412	1.532	1.845	2.214		27.74	35.86	38.91	46.86	56.24	
10/20	1.404	1.724	1.844	2.157	2.526		35.66	43.79	46.84	54.79	64.16	
11/22	1.560	1.880	2.000	2.313	2.682		39.62	47.75	50.80	58.75	68.12	
12/24	1.716	2.036	2.156	2.469	2.838		43.59	51.71	54.76	62.71	72.09	
15/30	2.184	2.504	2.624	2.937	3.306		55.47	63.60	66.65	74.60	83.97	
18/36	2.652	2.972	3.092	3.405	3.774		67.36	75.49	78.54	86.49	95.86	
22/44	3.276	3.596	3.716	4.029	4.398		83.21	91.34	94.39	102.34	111.71	
24/48	3.588	3.908	4.028	4.341	4.710		91.14	99.26	102.31	110.26	119.63	
25/50	3.744	4.064	4.184	4.497	4.866		95.10	103.23	106.27	114.22	123.60	
28/56	4.212	4.532	4.652	4.965	5.334	0.438	106.98	115.11	118.16	126.11	135.48	11.13
36/72	5.460	5.780	5.900	6.213	6.582		138.68	146.81	149.86	157.81	167.18	
43/86	6.552	6.872	6.992	7.305	7.674	0.500	166.42	174.55	177.60	185.55	194.92	12.70
44/88	6.708	7.028	7.148	7.461	7.830		170.38	178.51	181.56	189.51	198.88	

Micro Plastics Brand Card Edge

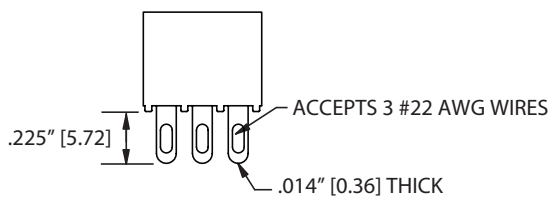
.156" [3.96 mm] Contact Centers, .431" [10.95 mm] Insulator Height, Eyelet

SPECIFICATIONS

- Accommodates .062" ± .008" [1.57 mm ± 0.20 mm] PC Board
- Insulator Material available in PBT, PPS, or PA9T
- 3 Amps current rating for one contact energized (for 5 Amps application, consult factory)
- Insulator / Contact Specifications and Part Number Options See opposite page
- P/N 04-0003-000 for In Between Contact Polarizing Key
P/N 04-0002-000 for In Contact Polarizing Key
See Page 186 (Sold Separately)
- Molded-in Key Available - Consult Factory

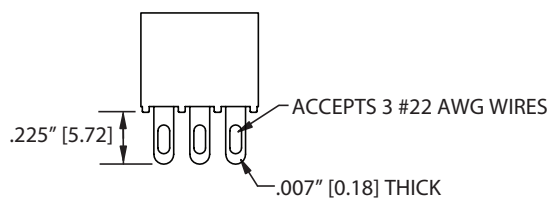


TERMINATION TYPE



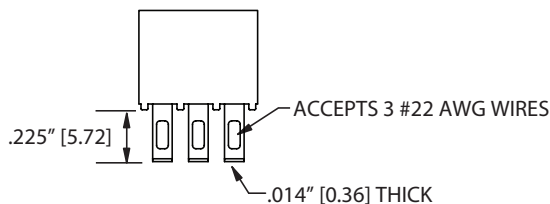
EYELET (P)

Example P/N: MP-0156-10-DP-1



ECONOMY EYELET (P)

Example P/N: EMPSL-0156-10-DP-1K

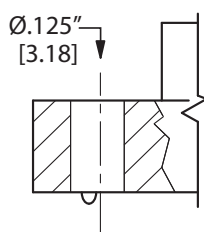


ALTERNATE EYELET SHAPE

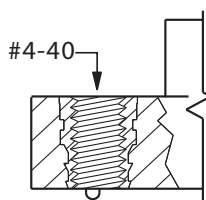
Example P/N: MP-0156-10-DP-1Y

For Beryllium Copper (Y) Only

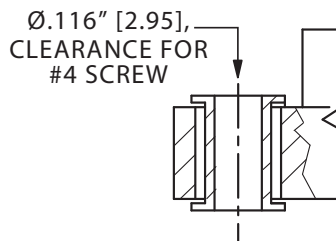
MOUNTING STYLE



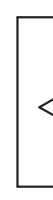
(STYLE 1)



(STYLE 2)



(STYLE 3)



(STYLE 4)

PART NUMBER OPTIONS

MPL - 0 156 - 10 - D P - 1 K

PLATING - RoHS Compliant

All Platings are Lead Free and have .000050" Nickel Underplate

Contact Surface Termination

- *MPSL = .000010" Gold .000100" Pure Tin Matte
- *MPL = .000100" Overall Pure Tin, Matte
- MP = .000010" Overall Gold

Platings that start with 'E' are for Economy Eyelet Only

- *EMPSL = .000010" Gold .000100" Pure Tin Matte
- *EMPL = .000100" Overall Pure Tin, Matte
- EMP = .000010" Overall Gold

* Requires 'K' Modification Code

Other Plating and thicknesses available upon request
Refer to Page 142 for Operating/Processing Temperatures

INSULATOR MATERIAL**

0 = PBT

CONTACT CENTERS

156 = .156" [3.96 mm]

NUMBER OF POSITIONS

Contacts Per Row (See Position Chart Below)

PLATING MODIFICATION CODE**

K = Required on Tin Plating Terminations
Omit for MP and EMP Plating (Overall Gold)

MOUNTING STYLE (See Opposite Page)

- 1 = .125" [3.18 mm] Clearance Hole
- 2 = #4-40 Threaded Insert
- 3 = Floating Bobbin
- 4 = No Mounting

TERMINATION TYPE (See Opposite Page)

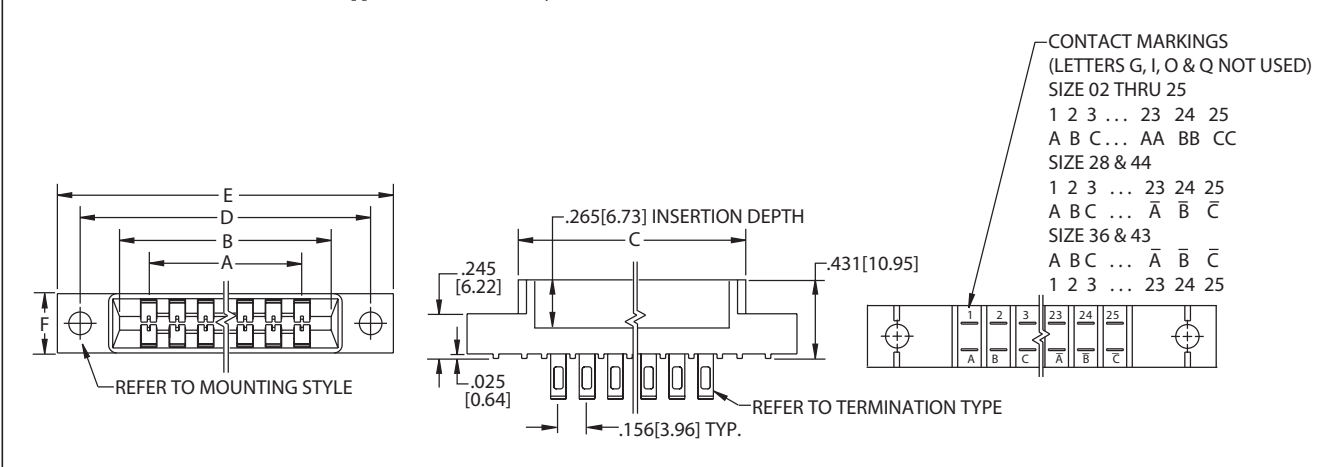
- P = Pierced Eyelet, .014" [0.36 mm] Thick
MPL and MP Plating Only
- P = Economy Eyelet, .007" [0.18 mm] Thick
Requires Part Number to start with 'E'

READOUT

D = Dual

** See Pages 142-143 for Specifications and other Variations

DIMENSIONS Dimensions in [] are in millimeters, all others are in inches.



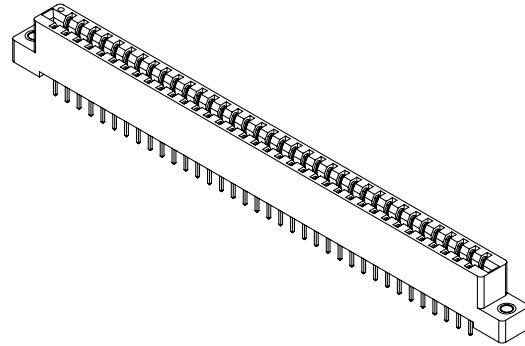
POSITIONS/ CONTACTS	INCHES						MILLIMETERS					
	A±.008	B±.008	C±.015	D±.010	E MAX	F+-.005/-0.015	A±0.20	B±0.20	C±0.38	D±0.25	E MAX	F+0.13/-0.38
02/04	0.156	0.476	0.596	'N' MOUNTING			3.96	12.09	15.14	'N' MOUNTING		
03/06	0.312	0.632	0.752				7.92	16.05	19.10			
06/12	0.780	1.100	1.220	1.533	1.902	0.325	19.81	27.94	30.99	38.94	48.31	8.26
08/16	1.092	1.412	1.532	1.845	2.214		27.74	35.86	38.91	46.86	56.24	
10/20	1.404	1.724	1.844	2.157	2.526		35.66	43.79	46.84	54.79	64.16	
11/22	1.560	1.880	2.000	2.313	2.682		39.62	47.75	50.80	58.75	68.12	
12/24	1.716	2.036	2.156	2.469	2.838		43.59	51.71	54.76	62.71	72.09	
15/30	2.184	2.504	2.624	2.937	3.306		55.47	63.60	66.65	74.60	83.97	
18/36	2.652	2.972	3.092	3.405	3.774		67.36	75.49	78.54	86.49	95.86	
22/44	3.276	3.596	3.716	4.029	4.398		83.21	91.34	94.39	102.34	111.71	
24/48	3.588	3.908	4.028	4.341	4.710		91.14	99.26	102.31	110.26	119.63	
25/50	3.744	4.064	4.184	4.497	4.866		95.10	103.23	106.27	114.22	123.60	
28/56	4.212	4.532	4.652	4.965	5.334	0.438	106.98	115.11	118.16	126.11	135.48	11.13
36/72	5.460	5.780	5.900	6.213	6.582		138.68	146.81	149.86	157.81	167.18	
43/86	6.552	6.872	6.992	7.305	7.674	0.500	166.42	174.55	177.60	185.55	194.92	12.70
44/88	6.708	7.028	7.148	7.461	7.830		170.38	178.51	181.56	189.51	198.88	

Micro Plastics Brand Card Edge

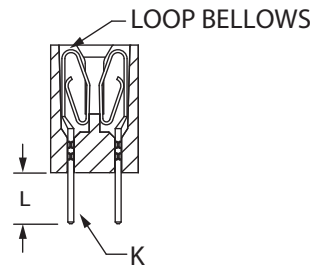
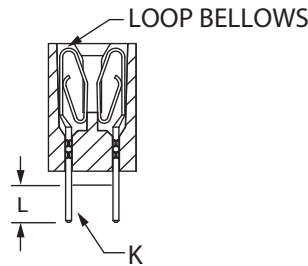
.156" [3.96 mm] Contact Centers, .610" [15.49 mm] Insulator Height, Wire Wrap & Dip Solder

SPECIFICATIONS

- Accommodates .062" ± .008" [1.57 mm ± 0.20 mm] PC Board
- Insulator Material available in PBT, PPS, or PA9T
- 3 Amps current rating for one contact energized
- Insulator / Contact Specifications and Part Number Options See opposite page
- P/N 04-0004-000 for In Between Contact Polarizing Key See Page 186 (Sold Separately)
- Molded-in Key Available - Consult Factory



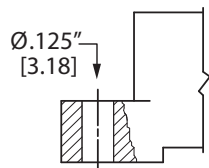
TERMINATION TYPE



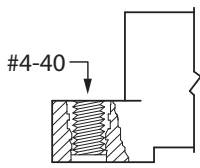
With Standoffs (Z)

TERMINATION CODE	MODIFICATION CODE	TYPE	POST CROSS SECTION K	POST LENGTH L	FITS MIN. HOLE SIZE	EXAMPLE PART NUMBER
R	H	Dip Solder	.025" [0.64] Round	.190" [4.83]	.033" [0.84]	<i>MPSL-0156-10-DR-1HK</i>
R	H(.165)	Dip Solder	.025" [0.64] Round	.165" [4.19]	.033" [0.84]	<i>MPSL-0156-10-DR-1HK(.165)</i>
W	H	Dip Solder	.025" [0.64] Square	.190" [4.83]	.040" [1.02]	<i>MPSL-0156-10-DW-1HK</i>
W	OMIT	Wire Wrap	.025" [0.64] Square	.560" [14.20]	.040" [1.02]	<i>MPSL-0156-10-DW-1K</i>

MOUNTING STYLE



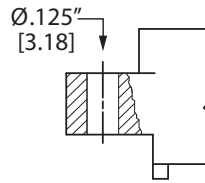
(STYLE 1)



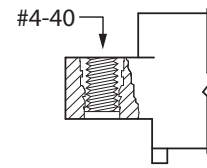
(STYLE 2)



(STYLE 4)



(STYLE 5)



(STYLE 6)

.156" [3.96 mm] Contact Centers, .610" [15.49 mm] Insulator Height, Wire Wrap & Dip Solder

PART NUMBER OPTIONS

MPSL - 0 156 - 10 - D W - 1 H K

PLATING - RoHS Compliant

All Platings are Lead Free and have .000050" Nickel Underplate

Contact Surface Termination

*MPSL = .000010" Gold .000100" Pure Tin, Matte

*MPL = .000100" Overall Pure Tin, Matte

MP = .000010" Overall Gold

*Requires 'K' Modification Code

Refer to Page 142 for Operating/Processing Temperatures

INSULATOR MATERIAL**

0 = PBT

CONTACT CENTERS

156 = .156" [3.96 mm]

NUMBER OF POSITIONS

Contacts Per Row (See Position Chart Below)

READOUT

D = Dual

PLATING MODIFICATION CODE**

K = Required on MPSL or MPL Plating
Omit for MP Plating (Overall Gold)

MODIFICATION CODE**

(See Opposite Page)

H = Dip Solder .190" [4.83 mm] Tail Length

(.025" [0.64 mm] Round) or

(.025" [0.64 mm] Square)

H(.165) = Dip Solder .165" [4.19 mm] Tail Length

(.025" [0.64 mm] Round Only)

Z = With Standoffs

MOUNTING STYLE (See Opposite Page)

1 = .125" [3.18 mm] Clearance Hole

2 = #4-40 Threaded Insert

4 = No Mounting

5 = Raised, .125" [3.18 mm] Clearance Hole

6 = Raised, #4-40 Threaded Insert

TERMINATION TYPE (See Opposite Page)

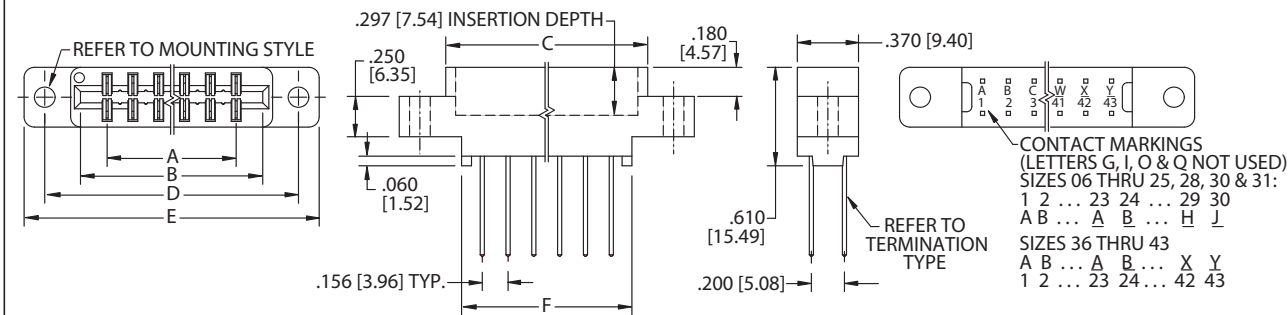
LOOP BELLOWS

R = .025" [0.64 mm] Round

W = .025" [0.64 mm] Square

** See Pages 142-143 for Specifications and other Variations

DIMENSIONS Dimensions in [] are in millimeters, all others are in inches.



POSITIONS/ CONTACTS	INCHES						MILLIMETERS					
	A±.008	B±.008	C±.015	D±.010	E±.020	F±.015	A±0.20	B±0.20	C±0.38	D±0.25	E±0.51	F±0.38
06/12	0.780	1.102	1.221	1.534	1.784	1.030	19.81	27.99	31.01	38.96	45.31	26.16
08/16	1.092	1.414	1.533	1.846	2.096	1.342	27.74	35.92	38.94	46.89	53.24	34.09
10/20	1.404	1.726	1.845	2.158	2.408	1.654	35.66	43.84	46.86	54.81	61.16	42.01
12/24	1.716	2.038	2.157	2.470	2.720	1.966	43.59	51.77	54.79	62.74	69.09	49.94
15/30	2.184	2.506	2.625	2.938	3.188	2.434	55.47	63.65	66.68	74.63	80.98	61.82
18/36	2.652	2.974	3.093	3.406	3.656	2.902	67.36	75.54	78.56	86.51	92.86	73.71
20/40*	2.964	3.286	3.405	3.718	3.968	3.214	75.29	83.46	86.49	94.44	100.79	81.64
22/44	3.276	3.598	3.717	4.030	4.280	3.526	83.21	91.39	94.41	102.36	108.71	89.56
24/48	3.588	3.910	4.029	4.342	4.592	3.838	91.14	99.31	102.34	110.29	116.64	97.49
25/50	3.744	4.066	4.185	4.498	4.748	3.994	95.10	103.28	106.30	114.25	120.60	101.45
28/56	4.212	4.534	4.653	4.966	5.216	4.462	106.98	115.16	118.19	126.14	132.49	113.33
30/60	4.524	4.846	4.965	5.278	5.528	4.774	114.91	123.09	126.11	134.06	140.41	121.26
31/62	4.680	5.002	5.121	5.434	5.684	4.930	118.87	127.05	130.07	138.02	144.37	125.22
36/72	5.460	5.782	5.901	6.214	6.464	5.710	138.68	146.86	149.89	157.84	164.19	145.03
40/80	6.084	6.406	6.525	6.838	7.088	6.334	154.53	162.71	165.74	173.69	180.04	160.88
43/86	6.552	6.874	6.993	7.306	7.556	6.802	166.42	174.60	177.62	185.57	191.92	172.77

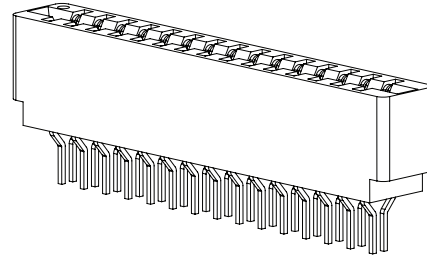
* Consult factory for availability.

Micro Plastics Brand Card Edge

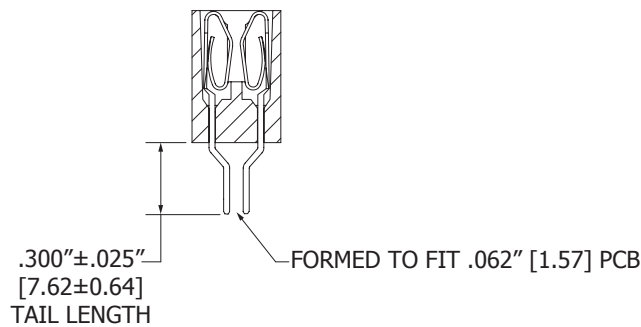
**.156" [3.96 mm] Contact Centers, .550" [13.97 mm] Insulator Height,
.025" [0.64 mm] Square Card Extender**

SPECIFICATIONS

- Accommodates $.062" \pm .008"$ [1.57 mm \pm 0.20 mm] PC Board
- Insulator Material available in PBT, PPS, or PA9T
- 3 Amps current rating for one contact energized
- Insulator / Contact Specifications and Part Number Options See opposite page
- P/N 04-0004-000 for In Between Contact Polarizing Key See Page 186 (Sold Separately)
- Molded-in Key Available - Consult Factory

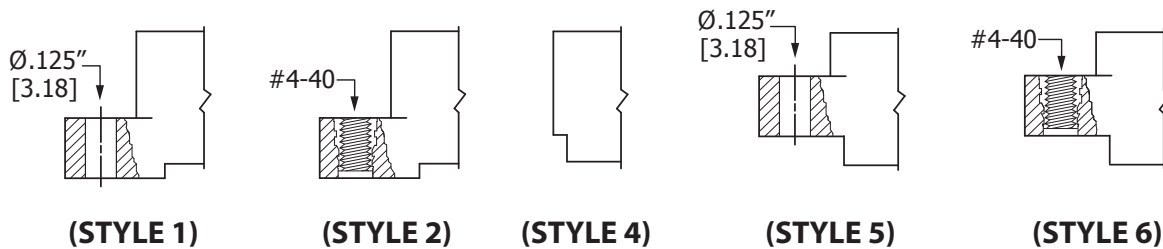


TERMINATION TYPE



Example P/N: MPSL-0156-10-DWE-4KTT

MOUNTING STYLE



.156" [3.96 mm] Contact Centers, .550" [13.97 mm] Insulator Height, .025" [0.64 mm] Square Card Extender

PART NUMBER OPTIONS

MPSL - 0 156 - 10 - D WE - 4 K TT

PLATING - RoHS Compliant

All Platings are Lead Free and have .000050" Nickel Underplate

Contact Surface Termination

*MPSL = .000010" Gold .000100" Pure Tin, Matte

*MPL = .000100" Overall Pure Tin, Matte

MP = .000010" Overall Gold

*Requires 'K' Modification Code

Refer to Page 142 for Operating/Processing Temperatures

INSULATOR MATERIAL **

0 = PBT

CONTACT CENTERS

156 = .156" [3.96 mm]

NUMBER OF POSITIONS

Contacts Per Row (See Position Chart Below)

MODIFICATION CODE**

TT = No Standoffs

PLATING MODIFICATION CODE**

K = Required on MPSL or MPL Plating

Omit for MP Plating (Overall Gold)

MOUNTING STYLE (See Opposite Page)

1 = .125" [3.18 mm] Clearance Hole

2 = #4-40 Threaded Insert

4 = No Mounting

5 = Raised, .125" [3.18 mm] Clearance Hole

6 = Raised, #4-40 Threaded Insert

TERMINATION TYPE (See Opposite Page)

WE = Card Extender

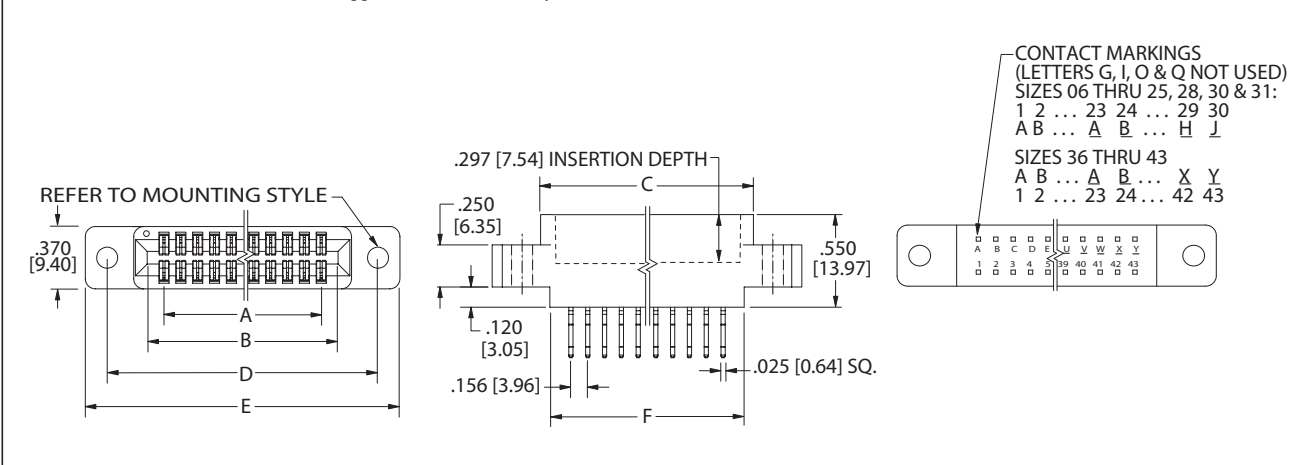
READOUT

D = Dual

**** See Pages 142-143 for Specifications and other Variations**

DIMENSIONS

Dimensions in [] are in millimeters, all others are in inches.



POSITIONS/ CONTACTS	INCHES						MILLIMETERS					
	A±.008	B±.008	C±.015	D±.010	E±.020	F±.015	A±0.20	B±0.20	C±0.38	D±0.25	E±0.51	F±0.38
06/12	0.780	1.102	1.221	1.534	1.784	1.030	19.81	27.99	31.01	38.96	45.31	26.16
08/16	1.092	1.414	1.533	1.846	2.096	1.342	27.74	35.92	38.94	46.89	53.24	34.09
10/20	1.404	1.726	1.845	2.158	2.408	1.654	35.66	43.84	46.86	54.81	61.16	42.01
12/24	1.716	2.038	2.157	2.470	2.720	1.966	43.59	51.77	54.79	62.74	69.09	49.94
15/30	2.184	2.506	2.625	2.938	3.188	2.434	55.47	63.65	66.68	74.63	80.98	61.82
18/36	2.652	2.974	3.093	3.406	3.656	2.902	67.36	75.54	78.56	86.51	92.86	73.71
20/40*	2.964	3.286	3.405	3.718	3.968	3.214	75.29	83.46	86.49	94.44	100.79	81.64
22/44	3.276	3.598	3.717	4.030	4.280	3.526	83.21	91.39	94.41	102.36	108.71	89.56
24/48	3.588	3.910	4.029	4.342	4.592	3.838	91.14	99.31	102.34	110.29	116.64	97.49
25/50	3.744	4.066	4.185	4.498	4.748	3.994	95.10	103.28	106.30	114.25	120.60	101.45
28/56	4.212	4.534	4.653	4.966	5.216	4.462	106.98	115.16	118.19	126.14	132.49	113.33
30/60	4.524	4.846	4.965	5.278	5.528	4.774	114.91	123.09	126.11	134.06	140.41	121.26
31/62	4.680	5.002	5.121	5.434	5.684	4.930	118.87	127.05	130.07	138.02	144.37	125.22
36/72	5.460	5.782	5.901	6.214	6.464	5.710	138.68	146.86	149.89	157.84	164.19	145.03
40/80	6.084	6.406	6.525	6.838	7.088	6.334	154.53	162.71	165.74	173.69	180.04	160.88
43/86	6.552	6.874	6.993	7.306	7.556	6.802	166.42	174.60	177.62	185.57	191.92	172.77

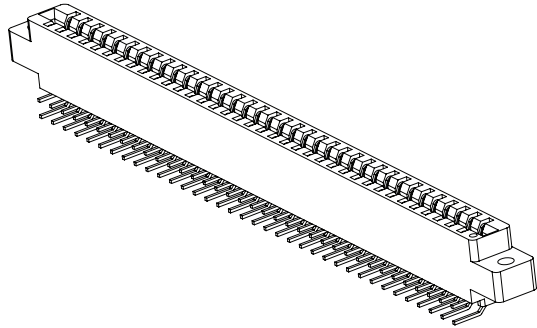
* Consult factory for availability.

Micro Plastics Brand Card Edge

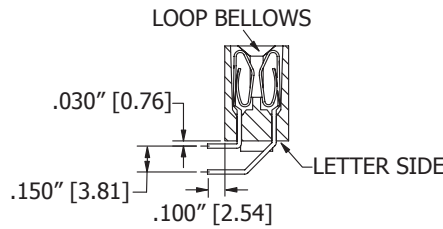
.156" [3.96 mm] Contact Centers, .610" [15.49 mm] Insulator Height, Right Angle

SPECIFICATIONS

- Accommodates $.062" \pm .008"$ [1.57 mm \pm 0.20 mm] PC Board
- Insulator Material available in PBT, PPS, or PA9T
- 3 Amps current rating for one contact energized
- Insulator / Contact Specifications and Part Number Options See Opposite Page
- P/N 04-0004-000 for In Between Contact Polarizing Key See Page 186 (Sold Separately)
- Molded-in Key Available - Consult Factory

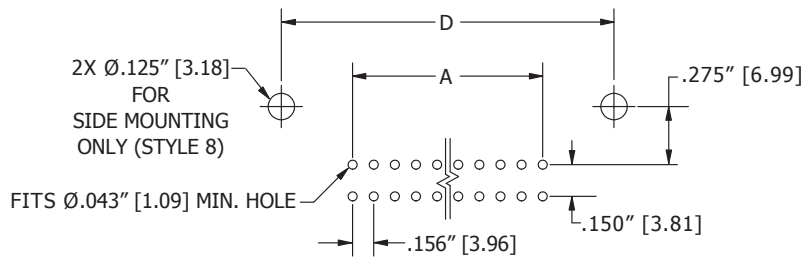


TERMINATION TYPE

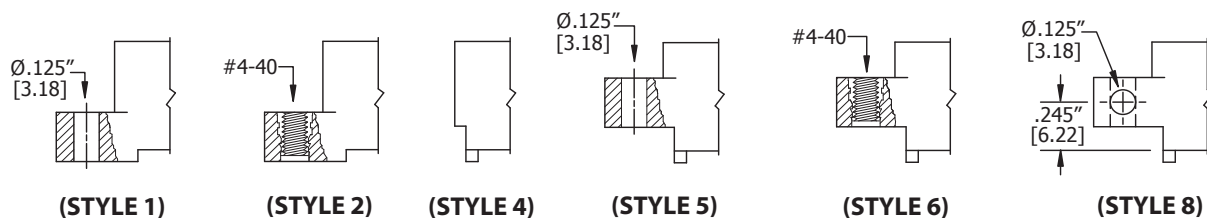


Example P/N: MP-0156-10-DW-1R

PCB LAYOUT



MOUNTING STYLE



.156" [3.96 mm] Contact Centers, .610" [15.49 mm] Insulator Height, Right Angle

PART NUMBER OPTIONS

MPSL - 0 156 - 10 - D W - 1 K R

PLATING - RoHS Compliant

All Platings are Lead Free and have .000050" Nickel Underplate

Contact Surface Termination

*MPSL = .000010" Gold .000100" Pure Tin, Matte

*MPL = .000100" Overall Pure Tin, Matte

MP = .000010" Overall Gold

*Requires 'K' Modification Code

Refer to Page 142 for Operating/Processing Temperatures

INSULATOR MATERIAL**

0 = PBT

CONTACT CENTERS

156 = .156" [3.96 mm]

NUMBER OF POSITIONS

Contacts Per Row (See Position Chart Below)

READOUT

D = Dual

MODIFICATION CODE**

R = Right Angle

PLATING MODIFICATION CODE**

K = Required on MPSL or MPL Plating

Omit for MP Plating (Overall Gold)

MOUNTING STYLE (See Opposite Page)

1 = .125" [3.18 mm] Clearance Hole

2 = #4-40 Threaded Insert

4 = No Mounting

5 = Raised, .125" [3.18 mm] Clearance Hole

6 = Raised, #4-40 Threaded Insert

8 = Raised, Side Mounting,

.125" [3.18 mm] Clearance Hole

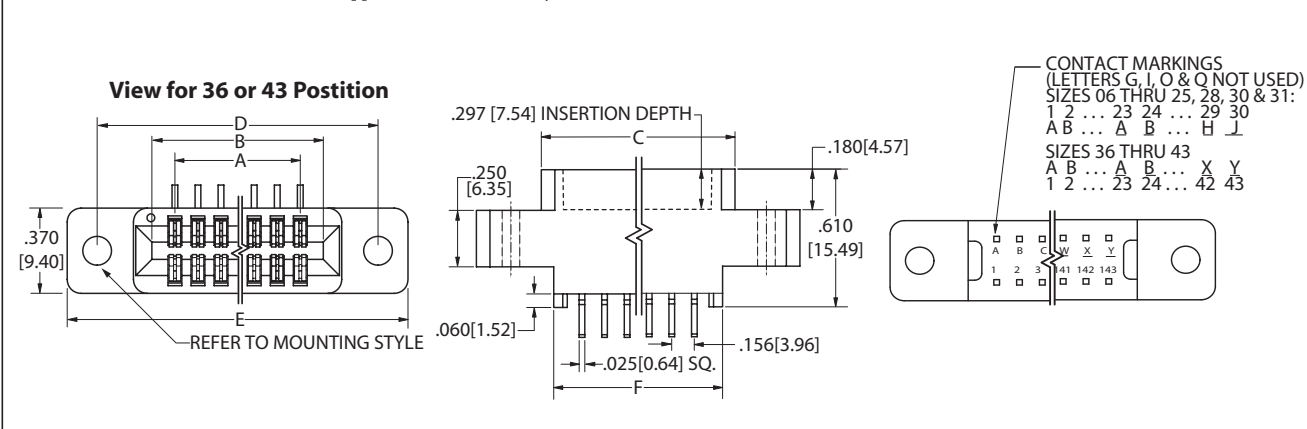
TERMINATION TYPE

LOOP BELLOWS

W = .025" [0.64 mm] Square

** See Pages 142-143 for Specifications and other Variations

DIMENSIONS Dimensions in [] are in millimeters, all others are in inches.



POSITIONS/ CONTACTS	INCHES						MILLIMETERS					
	A±.008	B±.008	C±.015	D±.010	E±.020	F±.015	A±0.20	B±0.20	C±0.38	D±0.25	E±0.51	F±0.38
06/12	0.780	1.102	1.221	1.534	1.784	1.030	19.81	27.99	31.01	38.96	45.31	26.16
08/16	1.092	1.414	1.533	1.846	2.096	1.342	27.74	35.92	38.94	46.89	53.24	34.09
10/20	1.404	1.726	1.845	2.158	2.408	1.654	35.66	43.84	46.86	54.81	61.16	42.01
12/24	1.716	2.038	2.157	2.470	2.720	1.966	43.59	51.77	54.79	62.74	69.09	49.94
15/30	2.184	2.506	2.625	2.938	3.188	2.434	55.47	63.65	66.68	74.63	80.98	61.82
18/36	2.652	2.974	3.093	3.406	3.656	2.902	67.36	75.54	78.56	86.51	92.86	73.71
20/40*	2.964	3.286	3.405	3.718	3.968	3.214	75.29	83.46	86.49	94.44	100.79	81.64
22/44	3.276	3.598	3.717	4.030	4.280	3.526	83.21	91.39	94.41	102.36	108.71	89.56
24/48	3.588	3.910	4.029	4.342	4.592	3.838	91.14	99.31	102.34	110.29	116.64	97.49
25/50	3.744	4.066	4.185	4.498	4.748	3.994	95.10	103.28	106.30	114.25	120.60	101.45
28/56	4.212	4.534	4.653	4.966	5.216	4.462	106.98	115.16	118.19	126.14	132.49	113.33
30/60	4.524	4.846	4.965	5.278	5.528	4.774	114.91	123.09	126.11	134.06	140.41	121.26
31/62	4.680	5.002	5.121	5.434	5.684	4.930	118.87	127.05	130.07	138.02	144.37	125.22
36/72	5.460	5.782	5.901	6.214	6.464	5.710	138.68	146.86	149.89	157.84	164.19	145.03
40/80	6.084	6.406	6.525	6.838	7.088	6.334	154.53	162.71	165.74	173.69	180.04	160.88
43/86	6.552	6.874	6.993	7.306	7.556	6.802	166.42	174.60	177.62	185.57	191.92	172.77

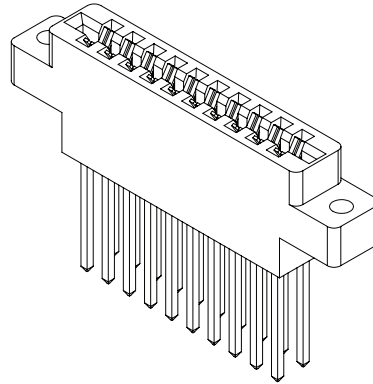
* Consult factory for availability.

Micro Plastics Brand Card Edge

**.156" [3.96 mm] Contact Centers, .720" [18.29 mm] Insulator Height,
.045" [1.14 mm] Square Wire Wrap**

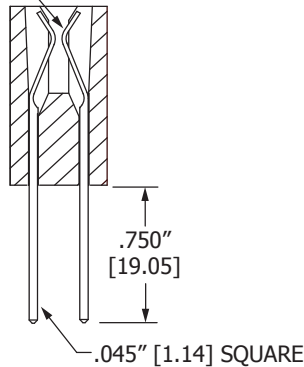
SPECIFICATIONS

- Accommodates .062" ± .008" [1.57 mm ± 0.20 mm] PC Board
- Insulator Material available in PBT, PPS, or PA9T
- 3 Amps current rating per contact for contacts fully energized (for 5 Amps application, consult factory)
- Insulator / Contact Specifications and Part Number Options See Opposite Page
- Molded-in Key Available - Consult Factory



TERMINATION TYPE

CANTILEVER CONTACT

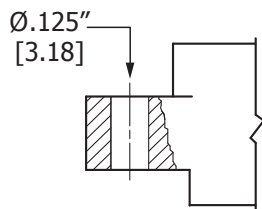


Example P/N: *MPSL-0156-10-DFS-1K*

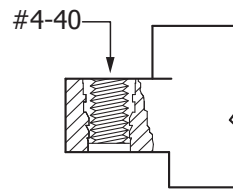
MOUNTING STYLE



(STYLE 4)



(STYLE 5)



(STYLE 6)

.156" [3.96 mm] Contact Centers, .720" [18.29 mm] Insulator Height, .045" [1.14 mm] Square Wire Wrap

PART NUMBER OPTIONS

MPSL - 0 156 - 10 - D FS - 4 K

PLATING - RoHS Compliant

All Platings are Lead Free and have .000050" Nickel Underplate

Contact Surface Termination

*MPSL = .000010" Gold .000100" Pure Tin, Matte

*MPL = .000100" Overall Pure Tin, Matte

MP = .000010" Overall Gold

*Requires 'K' Modification Code

Other Plating and thicknesses available upon request

Refer to Page 142 for Operating/Processing Temperatures

INSULATOR MATERIAL**

0 = PBT

CONTACT CENTERS

156 = .156" [3.96 mm]

NUMBER OF POSITIONS

Contacts Per Row (See Position Chart Below)

MODIFICATION CODE**

PLATING MODIFICATION CODE**

K = Required on MPSL or MPL Plating

Omit for MP Plating (Overall Gold)

MOUNTING STYLE (See Opposite Page)

4 = No Mounting

5 = Raised, .125" [3.18 mm] Clearance Hole

6 = Raised, #4-40 Threaded Insert

TERMINATION TYPE (See Opposite Page)

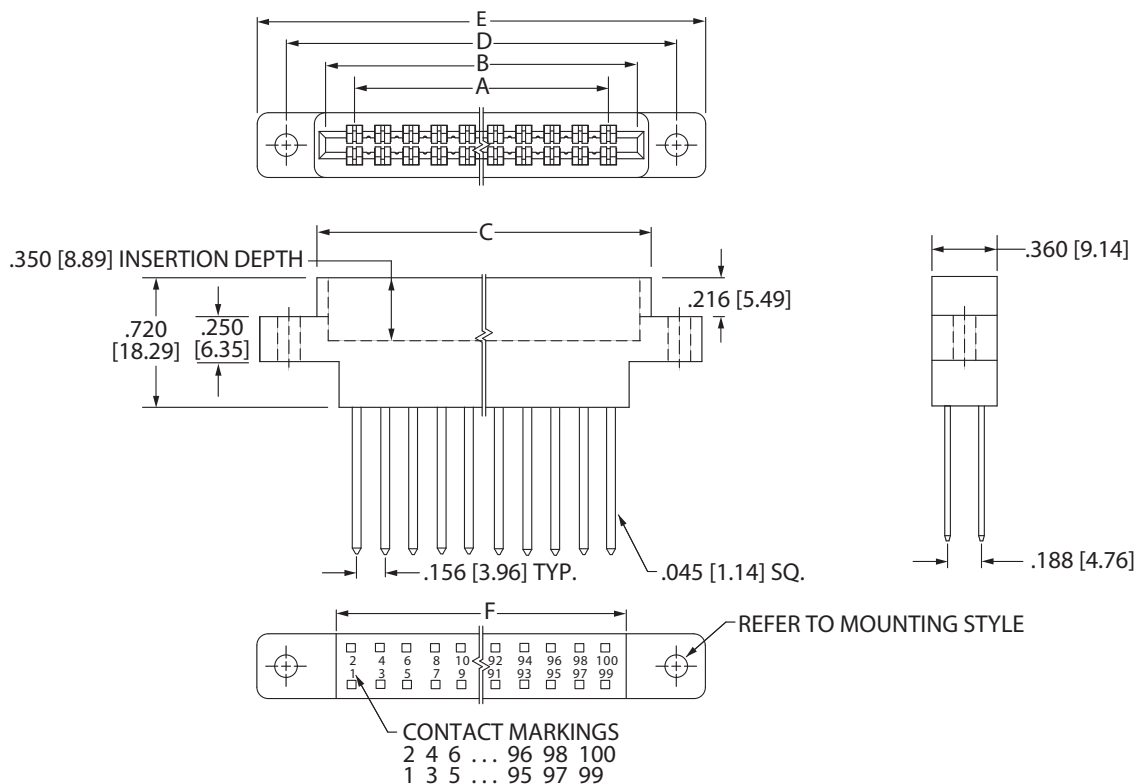
FS = .045" [1.14 mm] Square Contacts

READOUT

D = Dual

**** See Pages 142-143 for Specifications and other Variations**

DIMENSIONS Dimensions in [] are in millimeters, all others are in inches.

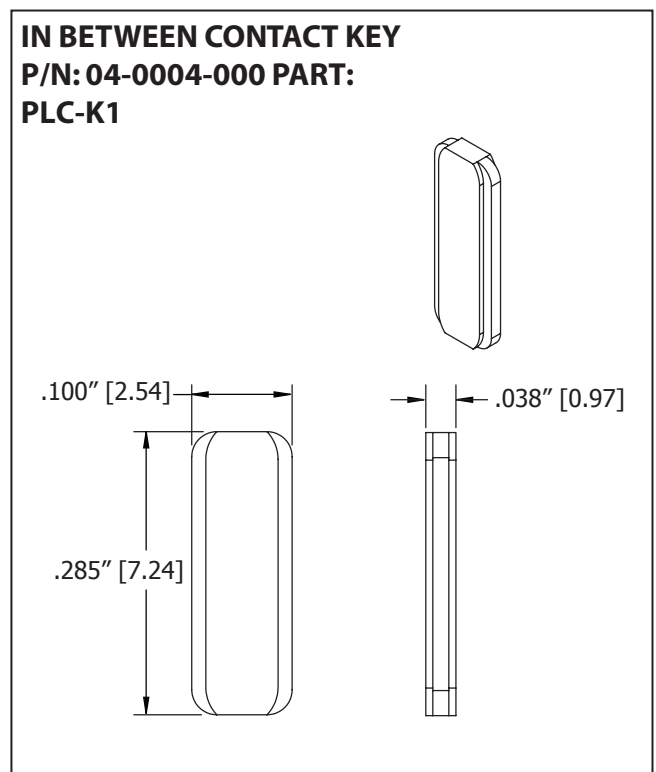
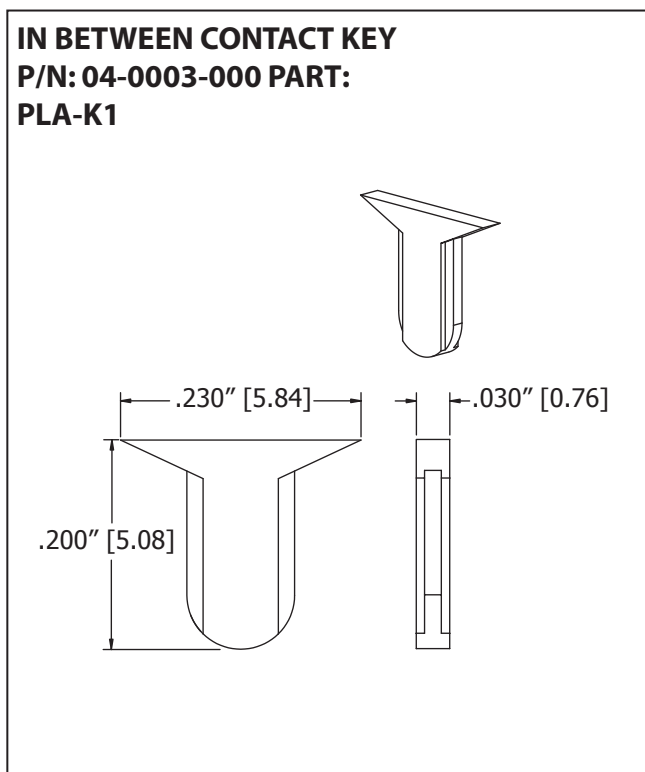
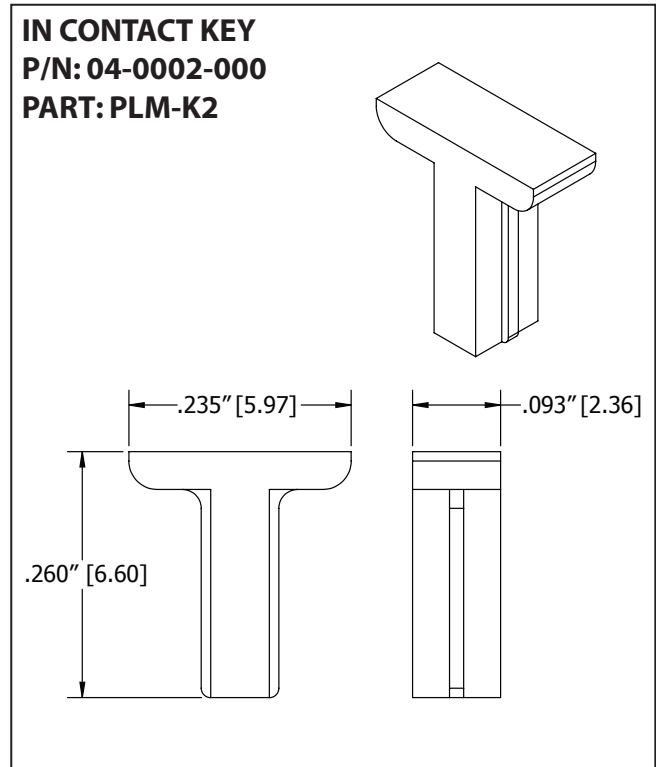
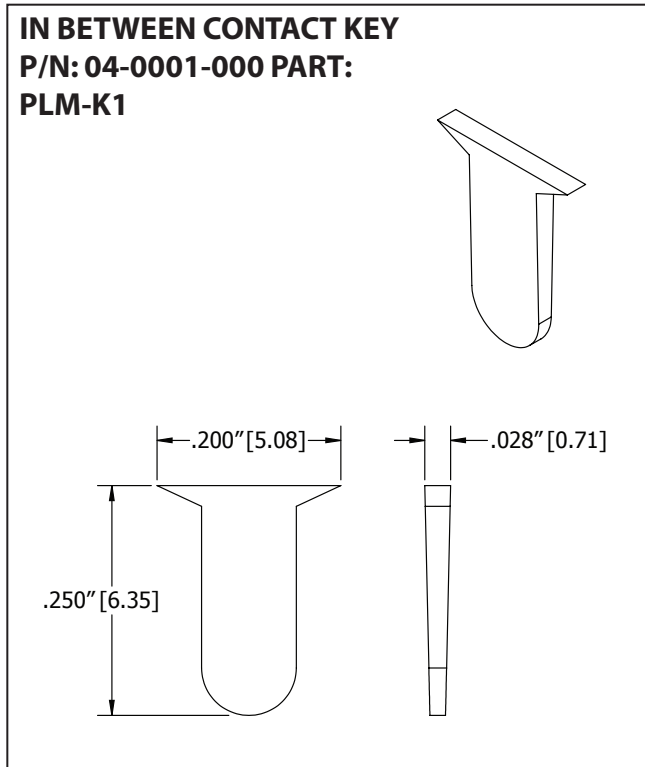


POSITIONS/ CONTACTS	INCHES						MILLIMETERS					
	A±.008	B±.008	C±.015	D±.010	E±.020	F±.015	A±0.20	B±0.20	C±0.38	D±0.25	E±0.51	F±0.38
10/20	1.404	1.724	1.848	2.158	2.408	1.604	35.66	43.79	46.94	54.81	61.16	40.74
12/24	1.716	2.036	2.160	2.470	2.720	1.916	43.59	51.71	54.86	62.74	69.09	48.67
15/30	2.184	2.504	2.628	2.938	3.188	2.384	55.47	63.60	66.75	74.63	80.98	60.55
18/36	2.652	2.972	3.096	3.406	3.656	2.852	67.36	75.49	78.64	86.51	92.86	72.44
22/44	3.276	3.596	3.720	4.030	4.280	3.476	83.21	91.34	94.49	102.36	108.71	88.29
25/50	3.744	4.064	4.188	4.498	4.748	3.944	95.10	103.23	106.38	114.25	120.60	100.18
28/56	4.212	4.532	4.656	4.966	5.216	4.412	106.98	115.11	118.26	126.14	132.49	112.06
30/60	4.524	4.844	4.968	5.278	5.528	4.724	114.91	123.04	126.19	134.06	140.41	119.99
36/72	5.460	5.780	5.904	6.214	6.464	5.660	138.68	146.81	149.96	157.84	164.19	143.76
43/86	6.552	6.872	6.996	7.306	7.556	6.752	166.42	174.55	177.70	185.57	191.92	171.50

Polarizing Keys

In Between Contact & In Contact

ALL KEYS ORDERED SEPARATELY



HOW TO LOCATE YOUR P/N:

Simply use your part number to find the correct pages containing specifications about your connector in this catalog. The underscore sign (_) is a variable representing design variations in the part number coding.

EXAMPLE: to find p/n **EBA10DCAS**, go to **A** **DCA** , pages 68-69
For Micro Plastics P/N's (beginning with EMP or MP) go to last page in index.

CARD EDGE & HEADERS

PART NUMBER	Page	PART NUMBER	Page	PART NUMBER	Page
__ A __ CA _	68-69	__ B __ DHA _	22-23	__ B66DHA _ -S621	26-27
__ A __ CB _	68-69	__ B __ DHA -S1648	22-23	__ B66DHB _ -S621	26-27
__ A __ CC _	68-69	__ B __ DHA -S1763	22-23	__ B66DHF _ -S578	24-25
__ A __ CK _	68-69	__ B __ DHB _	22-23	__ B66DHF _ -S621	24-25
__ A __ DCK -S288	68-69	__ B __ DHB -S1648	22-23	__ B66DHH _ -S578	24-25
__ A __ CM _	68-69	__ B __ DHB -S1763	22-23	__ B66DHH _ -S621	24-25
__ A __ DCM -S288	68-69	__ B __ DHF _	20-21	__ B66DHL _ -S578	24-25
__ A __ CS _	68-69	__ B __ DHF -S1648	20-21	__ B66DHL _ -S621	24-25
__ A __ DCS -S288	68-69	__ B __ DHF -S1763	20-21	__ B66DHN _ -S578	24-25
__ A __ CT _	68-69	__ B __ DHH _	20-21	__ B66DHN _ -S621	24-25
__ A __ DCT -S288	68-69	__ B __ DHH -S1648	20-21	__ B66DHR _ -S578	24-25
__ A __ CW _	68-69	__ B __ DHH -S1763	20-21	__ B66DHR _ -S621	24-25
__ A __ RA _	66-67	__ B __ DHL _	20-21	__ B91DHA _ -S621	26-27
__ A __ RA -S734	66-67	__ B __ DHL -S1648	20-21	__ B91DHB _ -S621	26-27
__ A __ RE _	66-67	__ B __ DHL -S1763	20-21	__ B91DHF _ -S578	24-25
__ A __ DRE -S13	66-67	__ B __ DHN _	20-21	__ B91DHF _ -S621	24-25
__ A __ RE -S734	66-67	__ B __ DHN -S1648	20-21	__ B91DHH _ -S578	24-25
__ A __ RJ _	66-67	__ B __ DHN -S1763	20-21	__ B91DHH _ -S621	24-25
__ A __ RJ -S734	66-67	__ B __ DHR _	20-21	__ B91DHL _ -S578	24-25
__ A __ RM _	68-69	__ B __ DHR -S1648	20-21	__ B91DHL _ -S621	24-25
__ A __ RM -S273	70-71	__ B __ DHR -S1763	20-21	__ B91DHN _ -S578	24-25
__ A __ DRM -S288	68-69	__ B56DHA _ -S621	26-27	__ B91DHN _ -S621	24-25
__ A __ RM -S664	70-71	__ B56DHB _ -S621	26-27	__ B91DHR _ -S578	24-25
__ A __ RS _	68-69	__ B56DHF _ -S578	24-25	__ B91DHR _ -S621	24-25
__ A __ RS -S273	70-71	__ B56DHF _ -S621	24-25	__ B92DHA _ -S250	30-31
__ A __ DRS -S288	68-69	__ B56DHH _ -S578	24-25	__ B92DHA _ -S329	30-31
__ A __ RS -S664	70-71	__ B56DHH _ -S621	24-25	__ B92DHB _ -S250	30-31
__ A __ RT _	66-67	__ B56DHL _ -S578	24-25	__ B92DHB _ -S329	30-31
__ A __ DRT -S13	66-67	__ B56DHL _ -S621	24-25	__ B92DHF _ -S250	28-29
__ A __ RT -S734	66-67	__ B56DHN _ -S578	24-25	__ B92DHF _ -S329	28-29
__ A __ RX _	66-67	__ B56DHN _ -S621	24-25	__ B92DHF _ -S330	28-29
__ A __ RX -S734	66-67	__ B56DHR _ -S578	24-25	__ B92DHF _ -S378	28-29
__ A __ RY _	66-67	__ B56DHR _ -S621	24-25	__ B92DHH _ -S250	28-29
__ A __ DRY -S13	66-67	__ B60DHA _ -S793	30-31	__ B92DHH _ -S329	28-29
__ A __ RY -S734	66-67	__ B60DHA _ -S1957	30-31	__ B92DHH _ -S330	28-29
__ A __ TA _	68-69	__ B60DHA _ -S1958	30-31	__ B92DHH _ -S378	28-29
__ A __ TA -S273	70-71	__ B60DHA _ -S1962	30-31	__ B92DHL _ -S250	28-29
__ A __ TA -S664	70-71	__ B60DHB _ -S793	30-31	__ B92DHL _ -S329	28-29
__ A __ TB _	68-69	__ B60DHB _ -S1957	30-31	__ B92DHL _ -S330	28-29
__ A __ TB -S273	70-71	__ B60DHB _ -S1958	30-31	__ B92DHL _ -S378	28-29
__ A __ TB -S664	70-71	__ B60DHB _ -S1962	30-31	__ B92DHN _ -S250	28-29
__ A __ TE _	66-67	__ B60DHB _ -S793	30-31	__ B92DHN _ -S329	28-29
__ A __ TE -S734	66-67	__ B60DHB _ -S1957	30-31	__ B92DHN _ -S330	28-29
__ A __ TK _	68-69	__ B60DHB _ -S1958	30-31	__ B92DHN _ -S378	28-29
__ A __ DTK -S288	68-69	__ B60DHB _ -S1962	30-31	__ B92DHR _ -S250	28-29
__ A __ TM _	68-69	__ B60DHF _ -S578	28-29	__ B92DHR _ -S329	28-29
__ A __ TM -S273	70-71	__ B60DHF _ -S621	28-29	__ B92DHR _ -S330	28-29
__ A __ TM -S664	70-71	__ B60DHH _ -S578	28-29	__ B92DHR _ -S378	28-29
		__ B60DHH _ -S621	28-29	__ B106DHA _ -S621	26-27
		__ B60DHL _ -S578	28-29	__ B106DHB _ -S621	26-27
		__ B60DHL _ -S621	28-29	__ B106DHF _ -S578	24-25
		__ B60DHN _ -S578	28-29		
		__ B60DHN _ -S621	28-29		
		__ B60DHR _ -S578	28-29		
		__ B60DHR _ -S621	28-29		

PART NUMBER INDEX

PART NUMBER	Page	PART NUMBER	Page	PART NUMBER	Page
__ B106DHF _ -S621	24-25	_ MC __ DAJ _ -M500	112-113	__ C 0 __ DBBN-M71RC	116-117
__ B106DHH _ -S578	24-25	__ C __ DAK _	112-113	__ C 0 __ DBCN-M71RC	116-117
__ B106DHH _ -S621	24-25	_ MC __ DAK _ -M500	112-113	__ C 0 __ DBDN-M71RC	116-117
__ B106DHL _ -S578	24-25			__ C 0 __ DBEN-M71RC	116-117
__ B106DHL _ -S621	24-25	__ C 0 __ DAAN-RC	114-115	__ C 0 __ DBHN-M71RC	116-117
__ B106DHN _ -S578	24-25	__ C 0 __ DABN-RC	114-115	__ C 0 __ DBIN-M71RC	116-117
__ B106DHN _ -S621	24-25	__ C 0 __ DABN-M30RC	116-117	__ C 0 __ DBJN-M71RC	116-117
__ B106DHR _ -S578	24-25	__ C 0 __ DACN-RC	114-115		
__ B106DHR _ -S621	24-25	__ C 0 __ DADN-RC	114-115	__ C __ CA _	54-55
__ B __ DKB _	34-35			__ C __ DCA _ -S189	54-55
__ B __ DKB _ -S1075	34-35	__ C 0 __ DAEN-RC	114-115	__ C __ CA _ -S371	60-61
__ B __ DKB _ -S1076	34-35	__ C 0 __ DAFN-RC	114-115	__ C __ CA _ -S605	60-61
__ B __ DKB _ -S1176	34-35	__ C 0 __ DAGN-RC	114-115	__ C __ DCA _ -S757	62-63
__ B __ DLR _	32-33	__ C 0 __ DAHN-RC	114-115	__ C __ CB _	54-55
__ B __ DLR _ -S1176	32-33	__ C 0 __ DAIN-RC	114-115	__ C __ DCB _ -S189	54-55
__ B __ DLT _	32-33	__ C 0 __ DAJN-RC	114-115	__ C __ CB _ -S371	60-61
__ B __ DLT _ -S1176	32-33	__ C 0 __ DAKN-RC	114-115	__ C __ CB _ -S605	60-61
				__ C __ CC _	54-55
__ B __ DYF _	20-21	__ C __ DBA _	112-113	__ C __ DCC _ -S189	54-55
__ B __ DYF _ -S1675	18-19	__ C __ DBA _ -M71	112-113	__ C __ CC _ -S371	60-61
__ B __ DYH _	20-21	_ MC __ DBA _ -M500	112-113	__ C __ CC _ -S605	60-61
__ B __ DYH _ -S1355	18-19	_ MC __ DBA _ -M509	112-113		
__ B __ DYR _	20-21	__ C __ DBB _	112-113	__ C __ CK _	54-55
__ B __ DYRN-S1675	18-19	__ C __ DBB _ -M71	112-113	__ C __ DCK _ -S288	54-55
__ B __ DYS _	20-21	_ MC __ DBB _ -M500	112-113	__ C __ CM _	54-55
__ B __ DYSN-S1675	18-19	_ MC __ DBB _ -M509	112-113	__ C __ DCM _ -S288	54-55
__ B __ DYY _	22-23			__ C __ CM _ -S371	60-61
__ B __ MMH _	44-45	__ C __ DBC _	112-113	__ C __ CM _ -S420	60-61
__ B __ MMR _	44-45	__ C __ DBC _ -M71	112-113	__ C __ DCS _	54-55
__ B __ MMS _	44-45	_ MC __ DBC _ -M500	112-113	__ C __ DCS _ -S36	62-63
__ B __ MMW _	44-45	_ MC __ DBC _ -M509	112-113	__ C __ DCS _ -S288	54-55
		__ C __ DBD _	112-113	__ C __ CS _ -S371	60-61
__ C __ DAA _	112-113	__ C __ DBD _ -M71	112-113	__ C __ CS _ -S420	60-61
_ MC __ DAA _ -M500	112-113	_ MC __ DBD _ -M500	112-113	__ C __ CS _ -S518	60-61
__ C __ DAB _	112-113	_ MC __ DBD _ -M509	112-113	__ C __ DCS _ -S527	62-63
__ C __ DAB _ -M30	112-113			__ C __ CT _	54-55
_ MC __ DAB _ -M500	112-113	__ C __ DBE _	112-113	__ C __ DCT _ -S288	54-55
_ MC __ DAB _ -M508	112-113	__ C __ DBE _ -M71	112-113	__ C __ CT _ -S371	60-61
__ C __ DAC _	112-113	_ MC __ DBE _ -M500	112-113	__ C __ CT _ -S420	60-61
_ MC __ DAC _ -M500	112-113	_ MC __ DBE _ -M509	112-113	__ C __ CT _ -S518	60-61
		__ C __ DBH _	112-113	__ C __ CT _ -S524	60-61
__ C __ DAD _	112-113	__ C __ DBH _ -M71	112-113	__ C __ CW _	54-55
_ MC __ DAD _ -M500	112-113	_ MC __ DBH _ -M500	112-113	__ C __ CW _ -S371	60-61
__ C __ DAE _	112-113	_ MC __ DBH _ -M509	112-113	__ C __ CW _ -S420	60-61
_ MC __ DAE _ -M500	112-113			__ C __ CW _ -S518	60-61
__ C __ DAF _	112-113	__ C __ DBI _	112-113	__ C __ CW _ -S524	60-61
_ MC __ DAF _ -M500	112-113	__ C __ DBI _ -M71	112-113		
		_ MC __ DBI _ -M500	112-113	__ C __ DET _	50-51
__ C __ DAG _	112-113	_ MC __ DBI _ -M509	112-113	__ C __ DEY _	50-51
_ MC __ DAG _ -M500	112-113	__ C __ DBJ _	112-113		
__ C __ DAH _	112-113	__ C __ DBJ _ -M71	112-113	__ C __ DFA _	112-113
_ MC __ DAH _ -M500	112-113	_ MC __ DBJ _ -M500	112-113	_ MC __ DFA _ -M500	112-113
		_ MC __ DBJ _ -M509	112-113	__ C __ DFB _	112-113
__ C __ DAI _	112-113			__ C __ DFB _ -M30	112-113
_ MC __ DAI _ -M500	112-113	__ C 0 __ DBAN-M71RC	116-117	_ MC __ DFB _ -M500	112-113
__ C __ DAJ _	112-113				

PART NUMBER	Page	PART NUMBER	Page	PART NUMBER	Page
_ MC _ _ DFB _ -M508	112-113	_ _ C _ _ DJB _	84-85	_ _ C _ _ DPF _	64-65
_ _ C _ _ DFC _	112-113	_ _ C _ _ DJB _ -S1136	84-85	_ _ C _ _ DPG _	64-65
_ MC _ _ DFC _ -M500	112-113	_ _ C _ _ DJC _	84-85	_ _ C _ _ DPJ _	64-65
_ _ C _ _ DFD _	112-113	_ _ C _ _ DJC _ -S1136	84-85	_ _ C _ _ DPM _	64-65
_ MC _ _ DFD _ -M500	112-113	_ _ C _ _ DJF _	84-85	_ _ C _ _ DPN _	64-65
_ _ C _ _ DFE _	112-113	_ _ C _ _ DJF _ -S1136	84-85	_ _ C _ _ DPR _	64-65
_ MC _ _ DFE _ -M500	112-113	_ _ C _ _ DJG _	84-85	_ _ C _ _ DPS _	64-65
_ _ C _ _ DFF _	112-113	_ _ C _ _ DJG _ -S1136	84-85	_ _ C _ _ DPU _	64-65
_ MC _ _ DFF _ -M500	112-113	_ _ C _ _ DJW _	84-85	_ _ C _ _ RA _	50-51
_ _ C _ _ DFG _	112-113	_ _ C _ _ DJW _ -S1136	84-85	_ _ C _ _ RA _ -S93	52-53
_ MC _ _ DFG _ -M500	112-113	_ _ C _ _ DJX _	84-85	_ _ C _ _ RA _ -S734	50-51
_ _ C _ _ DFH _	112-113	_ _ C _ _ DJX _ -S1136	84-85	_ _ C _ _ RA _ -S2106	50-51
_ MC _ _ DFH _ -M500	112-113	_ _ C _ _ DJY _	84-85	_ _ C _ _ RE _	50-51
_ _ C _ _ DFI _	112-113	_ _ C _ _ DJY _ -S1136	84-85	_ _ C _ _ DRE _ -S13	50-51
_ MC _ _ DFI _ -M500	112-113	_ _ C _ _ DJZ _	84-85	_ _ C _ _ RE _ -S93	52-53
_ _ C _ _ DFJ _	112-113	_ _ C _ _ DJZ _ -S1136	84-85	_ _ C _ _ RE _ -S734	50-51
_ MC _ _ DFJ _ -M500	112-113	_ _ C _ _ KA _	54-55	_ _ C _ _ RM _	54-55
_ _ C 0 _ _ DFA _ -RC	114-115	_ _ C _ _ DKA _ -S189	54-55	_ _ C _ _ RM _ -S273	58-59
_ _ C 0 _ _ DFB _ -RC	114-115	_ _ C _ _ DKA _ -S1191	56-57	_ _ C _ _ DRM _ -S288	54-55
_ _ C 0 _ _ DFB _ -M30RC	116-117	_ _ C _ _ DKA _ -S1243	56-57	_ _ C _ _ RM _ -S371	60-61
_ _ C 0 _ _ DFC _ -RC	114-115	_ _ C _ _ KD _	54-55	_ _ C _ _ RM _ -S420	60-61
_ _ C 0 _ _ DFD _ -RC	114-115	_ _ C _ _ DKD _ -S1191	56-57	_ _ C _ _ RM _ -S664	58-59
_ _ C 0 _ _ DFE _ -RC	114-115	_ _ C _ _ DKD _ -S1243	56-57	_ _ C _ _ RS _	54-55
_ _ C 0 _ _ DFF _ -RC	114-115	_ _ C _ _ KE _	54-55	_ _ C _ _ RS _ -S273	58-59
_ _ C 0 _ _ DFG _ -RC	114-115	_ _ C _ _ DKE _ -S189	54-55	_ _ C _ _ DRS _ -S288	54-55
_ _ C 0 _ _ DFH _ -RC	114-115	_ _ C _ _ DKE _ -S1191	56-57	_ _ C _ _ RS _ -S371	60-61
_ _ C 0 _ _ DFI _ -RC	114-115	_ _ C _ _ DKE _ -S1243	56-57	_ _ C _ _ RS _ -S420	60-61
_ _ C 0 _ _ DFJ _ -RC	114-115	_ _ C _ _ KJ _	54-55	_ _ C _ _ RS _ -S518	60-61
_ _ C _ _ DGA _	112-113	_ _ C _ _ DKJ _ -S189	54-55	_ _ C _ _ RS _ -S524	60-61
_ _ C _ _ DGA _ -M71	112-113	_ _ C _ _ DKJ _ -S1191	56-57	_ _ C _ _ RS _ -S664	58-59
_ MC _ _ DGA _ -M500	112-113	_ _ C _ _ DKJ _ -S1243	56-57	_ _ C _ _ RT _	50-51
_ MC _ _ DGA _ -M509	112-113	_ _ C _ _ KM _	54-55	_ _ C _ _ DRT _ -S13	50-51
_ _ C _ _ DGB _	112-113	_ _ C _ _ DKM _ -S1191	56-57	_ _ C _ _ RT _ -S93	52-53
_ _ C _ _ DGB _ -M71	112-113	_ _ C _ _ DKM _ -S1243	56-57	_ _ C _ _ RT _ -S734	50-51
_ MC _ _ DGB _ -M500	112-113	_ _ C _ _ DKN _	54-55	_ _ C _ _ RT _ -S924	50-51
_ MC _ _ DGB _ -M509	112-113	_ _ C _ _ DKN _ -S1191	56-57	_ _ C _ _ RX _	50-51
_ _ C _ _ DGE _	112-113	_ _ C _ _ DKN _ -S1243	56-57	_ _ C _ _ RX _ -S734	50-51
_ _ C _ _ DGE _ -M71	112-113	_ _ C _ _ DKR _	54-55	_ _ C _ _ RY _	50-51
_ MC _ _ DGE _ -M500	112-113	_ _ C _ _ DKR _ -S1191	56-57	_ _ C _ _ DRY _ -S13	50-51
_ MC _ _ DGE _ -M509	112-113	_ _ C _ _ DKR _ -S1243	56-57	_ _ C _ _ RY _ -S93	52-53
_ _ C _ _ DGF _	112-113	_ _ C _ _ KS _	54-55	_ _ C _ _ RY _ -S734	50-51
_ _ C _ _ DGF _ -M71	112-113	_ _ C _ _ DKS _ -S1191	56-57	_ _ C _ _ SX _	50-51
_ MC _ _ DGF _ -M500	112-113	_ _ C _ _ DKS _ -S1243	56-57	_ _ C _ _ SX _ -S734	50-51
_ MC _ _ DGF _ -M509	112-113	_ _ C _ _ KU _	54-55	_ _ C _ _ TA _	54-55
_ _ C 0 _ _ DGA _ -RC	116-117	_ _ C _ _ DKU _ -S189	54-55	_ _ C _ _ DTA _ -S189	54-55
_ _ C 0 _ _ DGB _ -RC	116-117	_ _ C _ _ DKU _ -S1191	56-57	_ _ C _ _ TA _ -S273	58-59
_ _ C 0 _ _ DGE _ -RC	116-117	_ _ C _ _ DKU _ -S1243	56-57	_ _ C _ _ TA _ -S371	60-61
_ _ C 0 _ _ DGF _ -RC	116-117	_ _ C _ _ DPB _	64-65	_ _ C _ _ TA _ -S605	60-61
		_ _ C _ _ DPD _	64-65	_ _ C _ _ TA _ -S664	58-59
		_ _ C _ _ DPE _	64-65	_ _ C _ _ TB _	54-55
				_ _ C _ _ DTB _ -S189	54-55
				_ _ C _ _ TB _ -S273	58-59
				_ _ C _ _ TB _ -S371	60-61

PART NUMBER INDEX

PART NUMBER	Page
__ C __ TB _ -S605	60-61
__ C __ TB _ -S664	58-59
__ C __ TE _	50-51
__ C __ TE _ -S734	50-51
__ C __ TK _	54-55
__ C __ DTK _ -S288	54-55
__ C __ TK _ -S371	60-61
__ C __ TK _ -S420	60-61
__ C __ TK _ -S518	60-61
__ C __ TK _ -S524	60-61
__ C __ TM _	54-55
__ C __ DTM _ -S189	54-55
__ C __ TM _ -S273	58-59
__ C __ TM _ -S371	60-61
__ C __ TM _ -S605	60-61
__ C __ TM _ -S664	58-59
__ C __ DZA _	112-113
__ MC __ DZA _ -M500	112-113
__ C __ DZB _	112-113
__ MC __ DZB _ -M500	112-113
__ C __ DZC _	112-113
__ MC __ DZC _ -M500	112-113
__ C __ DZD _	112-113
__ MC __ DZD _ -M500	112-113
__ C __ DZI _	112-113
__ MC __ DZI _ -M500	112-113
__ C __ DZJ _	112-113
__ MC __ DZJ _ -M500	112-113
__ C __ DZO _	112-113
__ MC __ DZO _ -M500	112-113
__ C __ DZQ _	112-113
__ MC __ DZQ _ -M500	112-113
__ C __ DZR _	112-113
__ MC __ DZR _ -M500	112-113
__ C __ DZS _ -M30	112-113
__ MC __ DZS _ -M508	112-113
__ C __ DZT _ -M30	112-113
__ MC __ DZT _ -M508	112-113
__ C 0 __ DZAN-RC	114-115
__ C 0 __ DZBN-RC	114-115
__ C 0 __ DZCN-RC	114-115
__ C 0 __ DZDN-RC	114-115
__ C 0 __ DZIN-RC	114-115
__ C 0 __ DZJN-RC	114-115
__ C 0 __ DZON-RC	114-115
__ C 0 __ DZQN-RC	114-115
__ C 0 __ DZRN-RC	114-115
__ C 0 __ DZSN-M30RC	116-117
__ C 0 __ DZTN-M30RC	116-117

PART NUMBER	Page
__ C __ FSL _	38-39
__ C __ MMA _	46-47
__ C __ MMA _ -S189	46-47
__ C __ MMB _	46-47
__ C __ MMB _ -S189	46-47
__ C __ MMD _	46-47
__ C __ MMD _ -S189	46-47
__ C __ MMJ _	46-47
__ C __ MMJ _ -S189	46-47
__ C __ MMK _	46-47
__ C __ MMK _ -S189	46-47
__ C __ MMM _	46-47
__ C __ MMN _	46-47
__ C __ MMR _	46-47
__ C __ MMS _	46-47
__ C __ MMV _	46-47
__ C __ MMV _ -S189	46-47
__ C __ MMW _	46-47
__ C __ SAA _	112-113
__ MC __ SAA _ -M500	112-113
__ C __ SAB _	112-113
__ C __ SAB _ -M30	112-113
__ MC __ SAB _ -M500	112-113
__ MC __ SAB _ -M508	112-113
__ C __ SAC _	112-113
__ MC __ SAC _ -M500	112-113
__ C __ SAD _	112-113
__ MC __ SAD _ -M500	112-113
__ C __ SAE _	112-113
__ MC __ SAE _ -M500	112-113
__ C __ SAF _	112-113
__ MC __ SAF _ -M500	112-113
__ C __ SAG _	112-113
__ MC __ SAG _ -M500	112-113
__ C __ SAH _	112-113
__ MC __ SAH _ -M500	112-113
__ C __ SAI _	112-113
__ MC __ SAI _ -M500	112-113
__ C __ SAJ _	112-113
__ MC __ SAJ _ -M500	112-113
__ C __ SAK _	112-113
__ MC __ SAK _ -M500	112-113
__ C __ SBA _	112-113
__ C __ SBA _ -M71	112-113
__ MC __ SBA _ -M500	112-113
__ MC __ SBA _ -M509	112-113
__ C __ SBB _	112-113
__ C __ SBB _ -M71	112-113
__ MC __ SBB _ -M500	112-113
__ MC __ SBB _ -M509	112-113
__ C __ SBC _	112-113
__ C __ SBC _ -M71	112-113
__ MC __ SBC _ -M500	112-113

PART NUMBER	Page
__ MC __ SBC _ -M509	112-113
__ C __ SBD _	112-113
__ C __ SBD _ -M71	112-113
__ MC __ SBD _ -M500	112-113
__ MC __ SBD _ -M509	112-113
__ C __ SBE _	112-113
__ C __ SBE _ -M71	112-113
__ MC __ SBE _ -M500	112-113
__ MC __ SBE _ -M509	112-113
__ C __ SBF _	112-113
__ C __ SBF _ -M71	112-113
__ MC __ SBF _ -M500	112-113
__ MC __ SBF _ -M509	112-113
__ C __ SBG _	112-113
__ C __ SBG _ -M71	112-113
__ MC __ SBG _ -M500	112-113
__ MC __ SBG _ -M509	112-113
__ C __ SBH _	112-113
__ C __ SBH _ -M71	112-113
__ MC __ SBH _ -M500	112-113
__ MC __ SBH _ -M509	112-113
__ C __ SBI _	112-113
__ C __ SBI _ -M71	112-113
__ MC __ SBI _ -M500	112-113
__ MC __ SBI _ -M509	112-113
__ C __ SBJ _	112-113
__ C __ SBJ _ -M71	112-113
__ MC __ SBJ _ -M500	112-113
__ MC __ SBJ _ -M509	112-113
__ C __ SBS _ -M89	112-113
__ MC __ SBS _ -M511	112-113
__ C __ SDA _	112-113
__ C __ SDA _ -M71	112-113
__ MC __ SDA _ -M500	112-113
__ MC __ SDA _ -M509	112-113
__ C __ SFA _	112-113
__ MC __ SFA _ -M500	112-113
__ C __ SFB _	112-113
__ C __ SFB _ -M30	112-113
__ MC __ SFB _ -M500	112-113
__ MC __ SFB _ -M508	112-113
__ C __ SFC _	112-113
__ MC __ SFC _ -M500	112-113
__ C __ SFD _	112-113
__ MC __ SFD _ -M500	112-113
__ C __ SFE _	112-113
__ MC __ SFE _ -M500	112-113
__ C __ SFF _	112-113
__ MC __ SFF _ -M500	112-113
__ C __ SFG _	112-113
__ MC __ SFG _ -M500	112-113
__ C __ SFH _	112-113
__ MC __ SFH _ -M500	112-113
__ C __ SFI _	112-113

PART NUMBER	Page	PART NUMBER	Page	PART NUMBER	Page
_ MC _ SFI _ -M500	112-113	_ C _ SZU _ -M89	112-113	_ M _ CT _	78-79
_ C _ SFJ _	112-113	_ MC _ SZU _ -M511	112-113	_ M _ DCT _ -S288	78-79
_ MC _ SFJ _ -M500	112-113			_ M _ CW _	78-79
_ C _ SGA _	112-113	_ C 0 _ SA _ N-RC	114-115	ECM _ DJ _ N	86-87
_ C _ SGA _ -M71	112-113	_ C 0 _ SABN-M30RC	116-117	ECM _ DJ _ N-S1136	86-87
_ MC _ SGA _ -M500	112-113	_ C 0 _ SB _ N-RC	116-117		
_ MC _ SGA _ -M509	112-113	_ C 0 _ SB _ N-M71RC	116-117	_ M _ KA _	78-79
_ C _ SGB _	112-113	_ C 0 _ SBS _ -M89RC	116-117	_ M _ DKA _ -S189	78-79
_ C _ SGB _ -M71	112-113			_ M _ KD _	78-79
_ MC _ SGB _ -M500	112-113	_ C 0 _ SDAN-RC	116-117	_ M _ KE _	78-79
_ MC _ SGB _ -M509	112-113	_ C 0 _ SDAN-M71RC	116-117	_ M _ DKE _ -S189	78-79
_ C _ SGC _	112-113	_ C 0 _ SF _ N-RC	114-115	_ M _ KJ _	78-79
_ C _ SGC _ -M71	112-113	_ C 0 _ SFBN-M30RC	116-117	_ M _ DKJ _ -S189	78-79
_ MC _ SGC _ -M500	112-113	_ C 0 _ SG _ N-RC	116-117	_ M _ KK _	82-83
_ MC _ SGC _ -M509	112-113	_ C 0 _ SG _ N-M71RC	116-117	_ M _ KL _	82-83
_ C _ SGD _	112-113	_ C 0 _ SGSN-M89RC	116-117	_ M _ KM _	78-79
_ C _ SGD _ -M71	112-113	_ C 0 _ SZ _ N-RC	114-115	_ M _ DKN _	78-79
_ MC _ SGD _ -M500	112-113	_ C 0 _ SZ _ N-M30RC	116-117	_ M _ DKR _	78-79
_ MC _ SGD _ -M509	112-113	_ C 0 _ SZCN-M89RC	116-117	_ M _ KS _	78-79
_ C _ SGE _	112-113	_ C 0 _ SZUN-M89RC	116-117	_ M _ KU _	78-79
_ C _ SGE _ -M71	112-113			_ M _ DKU _ -S189	78-79
_ MC _ SGE _ -M500	112-113	_ E _ DHA _	10-11		
_ MC _ SGE _ -M509	112-113	_ E _ DHB _	10-11	_ M _ RA _	74-75
_ C _ SGF _	112-113			_ M _ RA _ -S37	76-77
_ C _ SGF _ -M71	112-113	_ E _ DHF _	08-09	_ M _ RA _ -S92	76-77
_ MC _ SGF _ -M500	112-113	_ E _ DHFN-T951	16-17	_ M _ RE _	74-75
_ MC _ SGF _ -M509	112-113	_ E _ DHH _	08-09	_ M _ RE _ -S37, S92	76-77
_ C _ SGS _ -M89	112-113	_ E _ DHHN-T7 _1	12-13	_ M _ RF _	74-75
_ MC _ SGS _ -M511	112-113	_ E _ DHHN-T9 _1	12-13	_ M _ RK _	74-75
_ C _ SZA _	112-113	_ E _ DHR _	08-09	_ M _ DRK _ -S13	74-75
_ MC _ SZA _ -M500	112-113	_ E _ DHR _ -T941_	14-15	_ M _ RK _ -S37, S92	76-77
_ C _ SZB _	112-113	_ E _ MMH _	42-43	_ M _ RM _	78-79
_ MC _ SZB _ -M500	112-113	_ E _ MMR _	42-43	_ M _ DR _ -S288	78-79
_ C _ SZC _	112-113			_ M _ RP _	74-75
_ C _ SZC _ -M89	112-113	_ J _ MC _	72-73	_ M _ RP _ -S37, S92	76-77
_ MC _ SZC _ -M500	112-113	_ J _ SC _	72-73	_ M _ RS _	78-79
_ MC _ SZC _ -M511	112-113			_ M _ R _ -S273	80-81
_ C _ SZD _	112-113	_ K _ DKB _	36-37	_ M _ R _ -S664	80-81
_ MC _ SZD _ -M500	112-113	_ K _ DKB _ -S107_	36-37		
_ C _ SZI _	112-113			_ M _ RT _	74-75
_ MC _ SZI _ -M500	112-113	_ M _ CA _	78-79	_ M _ DRT _ -S13	74-75
_ C _ SZJ _	112-113	_ M _ DCA _ -S189	78-79	_ M _ RT _ -S37, S92	76-77
_ MC _ SZJ _ -M500	112-113	_ M _ CB _	78-79	_ M _ RU _	74-75
		_ M _ DCB _ -S189	78-79	_ M _ RU _ -S37, S92	76-77
_ C _ SZO _	112-113	_ M _ CC _	78-79	_ M _ RX _	74-75
_ MC _ SZO _ -M500	112-113	_ M _ DCC _ -S189	78-79	_ M _ RX _ -S37, S92	76-77
_ C _ SZQ _	112-113			_ M _ RY _	74-75
_ MC _ SZQ _ -M500	112-113	_ M _ CK _	78-79	_ M _ DRY _ -S13	74-75
_ C _ SZR _	112-113	_ M _ DCK _ -S288	78-79	_ M _ RY _ -S37, S92	76-77
_ MC _ SZR _ -M500	112-113	_ M _ CM _	78-79		
_ C _ SZS _ -M30	112-113	_ M _ DCM _ -S288	78-79	_ M _ SA _	74-75
_ MC _ SZS _ -M508	112-113	_ M _ CS _	78-79	_ M _ SA _ -S37, S92	76-77
_ C _ SZT _ -M30	112-113	_ M _ DCS _ -S288	78-79		
_ MC _ SZT _ -M508	112-113				

PART NUMBER INDEX

PART NUMBER	Page	PART NUMBER	Page	PART NUMBER	Page
__ M __ SE _	74-75	NPB02DVFN-RC	126	PLA-K1	50, 66, 74, 76, 186
__ M __ DSE _ -S13	74-75	NPB02SV _ N-RC	126	PLC-K1	54, 60, 68, 72, 78, 186
__ M __ SE _ -S37, S92	76-77	GRPB __ 1VW __-RC	94-95	PLM-K1	186
__ M __ DSU _	74-75	GRPB __ 2MWCN-RC	94-95	PLM-K2	74, 76, 186
__ M __ DSU _ -S37, S92	76-77	GRPB __ 2VWQ __-RC	94-95	SBH11-__ C-D __	122
__ M __ DSX _	74-75	GRPB __ 2VWVN-RC	94-95	SBH21-__ N-D __	110
__ M __ DSX _ -S37, S92	76-77	LPPB __ 1NFFN-RC	96-97	SBH31-__ B-D __	100
__ M __ TA _	78-79	LPPB __ 1NFS __-RC	96-97	SBH41-__ B-D __	102
__ M __ DTA _ -S189	78-79	LPPB __ 1NGCN-RC	96-97	SBH51-__ E-D __	92-93
__ M __ TA _ -S273	80-81	LPPB __ 2CFFN-RC	96-97	SFH11-__ C-D __	123
__ M __ TA _ -S664	80-81	LPPB __ 2NFSP-RC	96-97	SFH21-__ N-D __	111
__ M __ TB _	78-79	LPPB __ 2NFSS-RC	96-97	SFH31-__ B-D __	101
__ M __ DTB _ -S189	78-79	__ C02SXNN	128-129	SFH41-__ B-D __	103
__ M __ TB _ -S273	80-81	A _ C02SXNN-S328	128-129	SFH210-__ C-D __	124
__ M __ TB _ -S664	80-81	_ PC02 SX _ N-RC	128-129	SFH213-__ C-D __	124
__ M __ TK _	78-79	QPC02 _ XGN-RC	128-129	SFH213-__ N-D __	111
__ M __ DTK _ -S288	78-79	QPC02SXHN-M290RC	128-129	SFH413-__ B-D __	103
__ M __ TM _	78-79	S_C02SYAN-RC	128-129	SFM210-__ E-__	90-91
__ M __ DTM _ -S189	78-79	NP _ C __ 1KFX __ -RC	118-119	SFM230-__ B-__	98-99
__ M __ TM _ -S273	80-81	_ P _ C __ 1LFBN-RC	118-119	SFM230-__ N-__	108-109
__ M __ TM _ -S664	80-81	_ P _ C __ 1LGBN-RC	118-119	SFM315-__ E-D __	90-91
__ M __ WW _	82-83	_ P _ C __ 2LFBN-RC	118-119	SFM710-__ C-__	120-121
__ M __ FSL _	40-41	NP _ C __ 2KFM _ -RC	118-119	SFM850-__ C-__	120-121
__ M __ MMA _	48-49	PP _ C __ 2LFHN-M __ RC	118-119	SIP110-__ C-D __	125
__ M __ MMA _ -S189	48-49	_ P _ C __ 2LJB _ -RC	118-119	SMH1 __ -__ E -__	88-89
__ M __ MMB _	48-49	_ PN02SV _ N-RC	127	SWH201 SERIES	131
__ M __ MMB _ -S189	48-49	_ PN02SX _ N-RC	127	SWH204 SERIES	135
__ M __ MMD _	48-49	_ N02SYBN-RC	127	SWH25X SERIES	139
__ M __ MMD _ -S189	48-49	NPPN __ 1BF_N-RC	106-107	SWR201 SERIES	132-133
__ M __ MMJ _	48-49	NPPN __ 1FGGN-RC	106-107	SWR204 SERIES	136-137
__ M __ MMJ _ -S189	48-49	NPPN __ 2AF_N-RC	106-107	SWR25X SERIES	140-141
__ M __ MMK _	48-49	NPPN __ 2FFK __ -RC	106-107	SWT201 SERIES	130
__ M __ MMK _ -S189	48-49	NPPN __ 2FJFN-RC	106-107	SWT204 SERIES	134
__ M __ MMM _	48-49	NPPN __ 2GFN __ -RC	106-107	SWT25X SERIES	138
__ M __ MMN _	48-49	NPPN __ 4EFCN -RC	106-107		
__ M __ MMR _	48-49	NRPN __ 1PAEN-RC	104-105		
__ M __ MMS _	48-49	NRPN __ 1PARN-RC	104-105		
__ M __ MMV _	48-49	NRPN __ 2MAM __ -RC	104-105		
__ M __ MMV _ -S189	48-49	NRPN __ 2PAEN-RC	104-105		
__ M __ MMW _	48-49	NRPN __ 2PARN-RC	104-105		
		NRPN __ 4RCCN-RC	104-105		

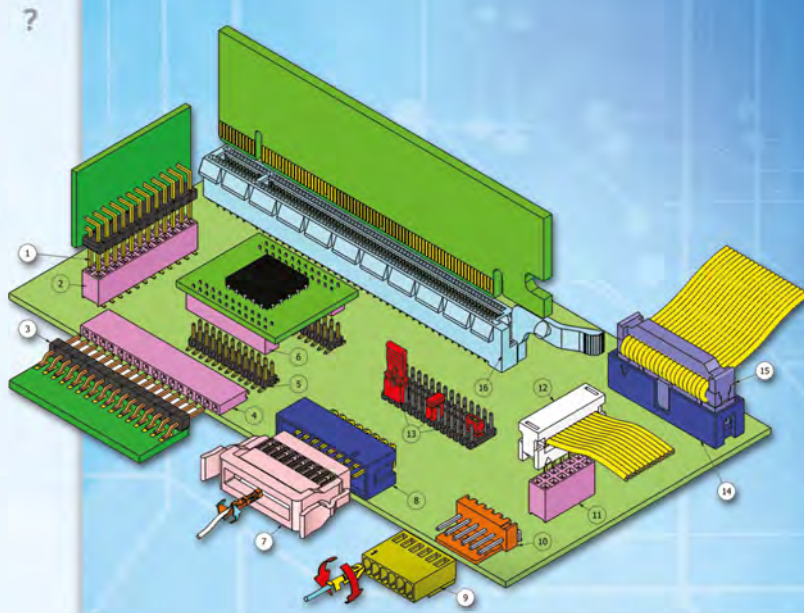
PART NUMBER	Page
04-0001-000	186
04-0002-000	186
04-0003-000	186
04-0004-000	186
EMP- _ 156- _ _ -DP- _ _	176-177
EMP- _ 156- _ _ -DPE- _ _	174-175
EMPL- _ 156- _ _ -DP- _ K _	176-177
EMPL- _ 156- _ _ -DPE- _ K _	174-175
EMPSL- _ 156- _ _ -DP- _ K _	176-177
EMPSL- _ 156- _ _ -DPE- _ K _	174-175
MP- _ 100- _ _ -DP- _ _	148-149
MP- _ 100- _ _ -DR- _ _	150-151
MP- _ 100- _ _ -DS- _ _	144-145
MP- _ 100- _ _ -DS- X9_	144-145
MP- _ 100- _ _ -DSE- _ _	146-147
MP- _ 100- _ _ -DW- _ _	150-151
MP- _ 100- _ _ -DW- _ R _	154-155
MP- _ 100- _ _ -DWE- _ _	152-153
MP- _ 100-18/31-DR- _ _	156-157
MP- _ 100-18/31-DW- _ _	156-157
MP- _ 125- _ _ -DP- _ _	162-163
MP- _ 125- _ _ -DR- _ _	164-165
MP- _ 125- _ _ -DS- _ _	158-159
MP- _ 125- _ _ -DS- X9_	158-159
MP- _ 125- _ _ -DSE- _ _	160-161
MP- _ 125- _ _ -DW- _ _	164-165
MP- _ 125- _ _ -DW- _ R _	168-169
MP- _ 125- _ _ -DWE- _ _	166-167
MP- _ 150- _ _ -DR- _ _	170-171
MP- _ 150- _ _ -DW- _ _	170-171
MP- _ 156- _ _ -DFS- _ _	184-185
MP- _ 156- _ _ -DP- _ _	176-177
MP- _ 156- _ _ -DR- _ _	178-179
MP- _ 156- _ _ -DS- _ _	172-173
MP- _ 156- _ _ -DS- X9_	172-173
MP- _ 156- _ _ -DSE- _ _	174-175
MP- _ 156- _ _ -DW- _ _	178-179
MP- _ 156- _ _ -DW- _ R _	182-183
MP- _ 156- _ _ -DWE- _ _	180-181
MPL- _ 100- _ _ -DP- _ K _	148-149
MPL- _ 100- _ _ -DR- _ K _	150-151

PART NUMBER	Page
MPL- _ 100- _ _ -DS- _ K _	144-145
MPL- _ 100- _ _ -DS- X9K _	144-145
MPL- _ 100- _ _ -DSE- _ K _	146-147
MPL- _ 100- _ _ -DW- _ K _	150-151
MPL- _ 100- _ _ -DW- _ KR _	154-155
MPL- _ 100- _ _ -DWE- _ K _	152-153
MPL- _ 100-18/31-DR- _ K _	156-157
MPL- _ 100-18/31-DW- _ K _	156-157
MPL- _ 125- _ _ -DP- _ K _	162-163
MPL- _ 125- _ _ -DR- _ K _	164-165
MPL- _ 125- _ _ -DS- _ K _	158-159
MPL- _ 125- _ _ -DS- X9K _	158-159
MPL- _ 125- _ _ -DSE- _ K _	160-161
MPL- _ 125- _ _ -DW- _ K _	164-165
MPL- _ 125- _ _ -DW- _ KR _	168-169
MPL- _ 125- _ _ -DWE- _ K _	166-167
MPL- _ 150- _ _ -DR- _ K _	170-171
MPL- _ 150- _ _ -DW- _ K _	170-171
MPL- _ 156- _ _ -DFS- _ K _	184-185
MPL- _ 156- _ _ -DP- _ K _	176-177
MPL- _ 156- _ _ -DR- _ K _	178-179
MPL- _ 156- _ _ -DS- _ K _	172-173
MPL- _ 156- _ _ -DS- X9K _	172-173
MPL- _ 156- _ _ -DSE- _ K _	174-175
MPL- _ 156- _ _ -DW- _ K _	178-179
MPL- _ 156- _ _ -DW- _ KR _	182-183
MPL- _ 156- _ _ -DWE- _ K _	180-181
MPSL- _ 100- _ _ -DR- _ K _	150-151
MPSL- _ 100- _ _ -DS- _ K _	144-145
MPSL- _ 100- _ _ -DS- X9K _	144-145
MPSL- _ 100- _ _ -DSE- _ K _	146-147
MPSL- _ 100- _ _ -DW- _ K _	150-151
MPSL- _ 100- _ _ -DW- _ KR _	154-155
MPSL- _ 100- _ _ -DWE- _ K _	152-153
MPSL- _ 100-18/31-DR- _ K _	156-157
MPSL- _ 100-18/31-DW- _ K _	156-157
MPSL- _ 125- _ _ -DR- _ K _	164-165
MPSL- _ 125- _ _ -DS- _ K _	158-159
MPSL- _ 125- _ _ -DS- X9K _	158-159
MPSL- _ 125- _ _ -DSE- _ K _	160-161
MPSL- _ 125- _ _ -DW- _ K _	164-165
MPSL- _ 125- _ _ -DW- _ KR _	168-169

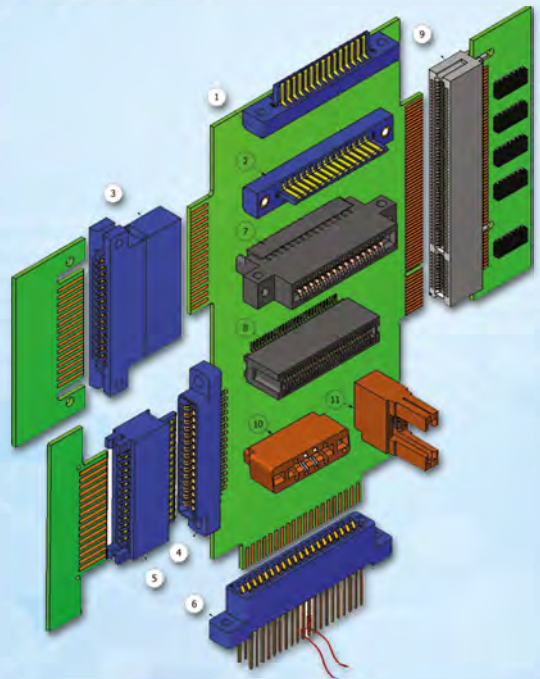
PART NUMBER	Page
MPSL- _ 125- _ _ -DWE- _ K _	166-167
MPSL- _ 150- _ _ -DR- _ K _	170-171
MPSL- _ 150- _ _ -DW- _ K _	170-171
MPSL- _ 156- _ _ -DFS- _ K _	184-185
MPSL- _ 156- _ _ -DR- _ K _	178-179
MPSL- _ 156- _ _ -DS- _ K _	172-173
MPSL- _ 156- _ _ -DS- X9K _	172-173
MPSL- _ 156- _ _ -DSE- _ K _	174-175
MPSL- _ 156- _ _ -DW- _ K _	178-179
MPSL- _ 156- _ _ -DW- _ KR _	182-183
MPSL- _ 156- _ _ -DWE- _ K _	180-181

The Advantage

- AS9100/ISO9001-2008 – certified
- 100% ROHS compliant
- In-house Engineering team
- Extensive connector design expertise
- Quick prototype for design simulation
- 3D modeling for quick design
- In-house modular tooling
- Full range of precision machining tools
- Automated production
- Quick set-up change allows for small run quantities
- Large range of plastic materials: PBT, PPS, PA9T, PEEK
- Large range of contact material and selective plating
- Speed and flexibility = Fast delivery
- Small MOQ – 10 piece minimums in most cases
- Same day responses to RFQ's
- Free Samples



- 1.3.5 Male Header
- 2.4.6.11 Female Header
- 7 Custom Wire Housing & Terminal
- 8.14 Box Header
- 9 Wire-to-board Housing & Terminal
- 10 Wafer Header
- 12 IDC Dip Plug
- 13 Shunt
- 15 IDC Socket
- 16 PCI Express Connector



- 1.2.3.4.5.6 Card Edge Connector
- 7.8.9 High Density Card Edge Connector
- 10.11 Custom Connector